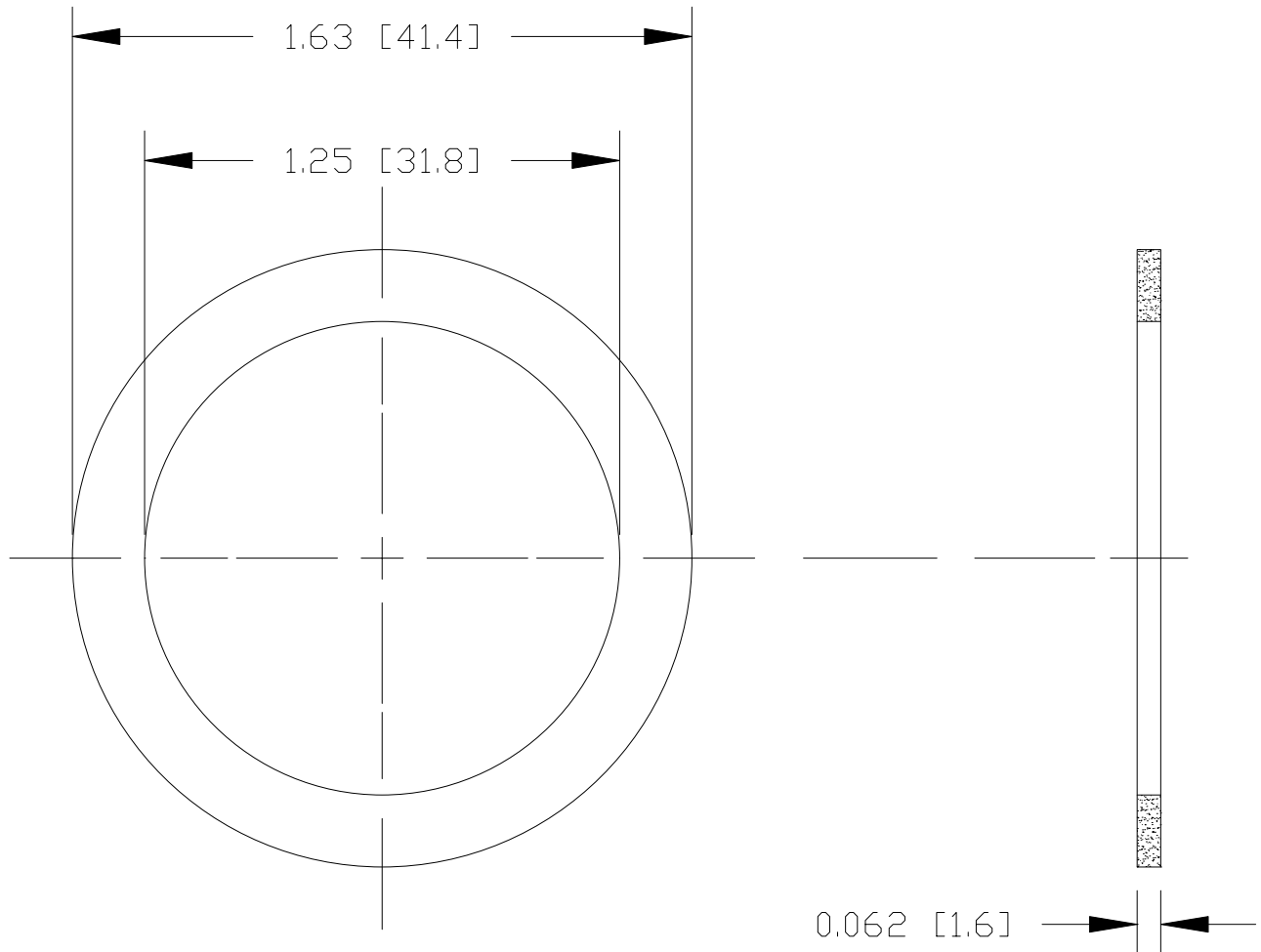


Neoprene Gasket

Helps seal panel hole to achieve NEMA Type 3R, 4X, & 12 application requirements

**Assembly Procedure**

Remove knurled nut and assemble ACC03 gasket onto threaded neck of classic Sonalert[®]. Place threaded neck through panel hole and secure with mounting nut. Hand tighten only.

Material: Neoprene/EPDM/SBR Economy Blend 4216-S.

UL50, C22.2 No.94, NEMA Type 3R, 4X, & 12, and IP66 approved, RoHS compliant, Gasket.