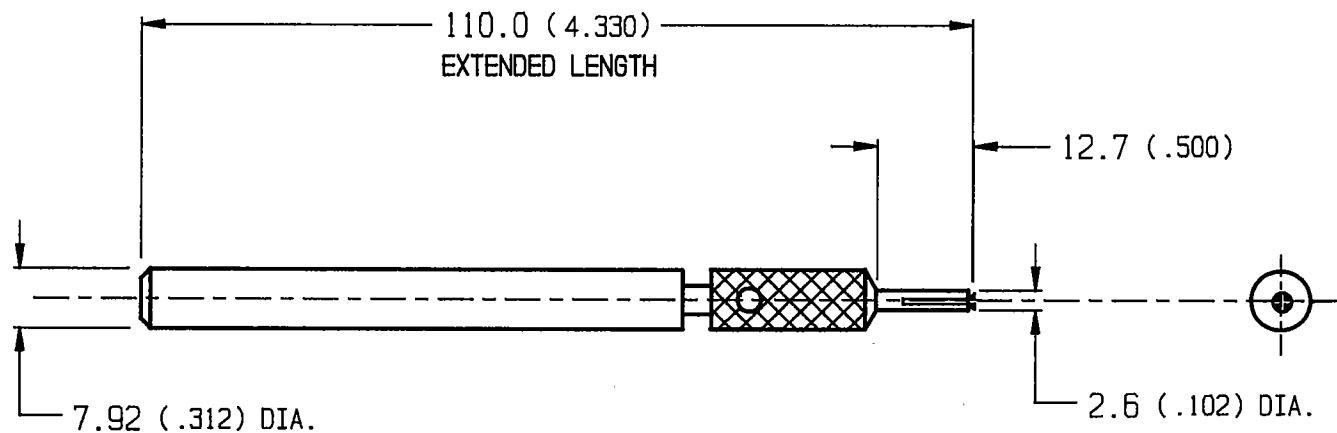


BF-1778



RED CONTROLLED

ISSUE

B

APPROX. SCALE: 1:1

DO NOT SCALE DRAWING

I

RED CONTROLLED

KNOWLES ELECTRONICS

KNOWLES ELECTRONICS, INC., FRANKLIN PARK, ILLINOIS U.S.A.

KNOWLES ELECTRONICS CO., BURGESS HILL, SUSSEX, ENGLAND

DR. BY DATE
GJP 8-5-82

CH. BY DATE
KHW 8-5-82

APP. BY DATE
EVC 8-5-82

TITLE: **INSERTION TOOL**
OUTLINE DRAWING

BF-1778
SHT 1.1