



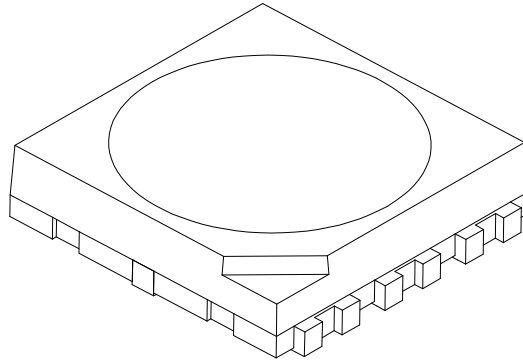
Lite-On Technology Corporation

OFFICE : 90, Chien I Road, Chung Ho Taipei, Taiwan, R.O.C.

TEL : +886-2-2222-6181 ~ 8

FAX: +886-2-2221-0660, +886-2-2221-2780, +886-2-2225-1518

HIGH POWER LED



LTPL-P00DWS57

DATA SHEET

1. Description

The LTPL (LiteOn Power LED) is a revolutionary, energy efficient and ultra compact new light source, combining the lifetime and reliability advantages of Light Emitting Diodes with the brightness of conventional lighting. It gives you total design freedom and unmatched brightness, creating a new opportunities for solid state lighting to displace conventional lighting technologies.

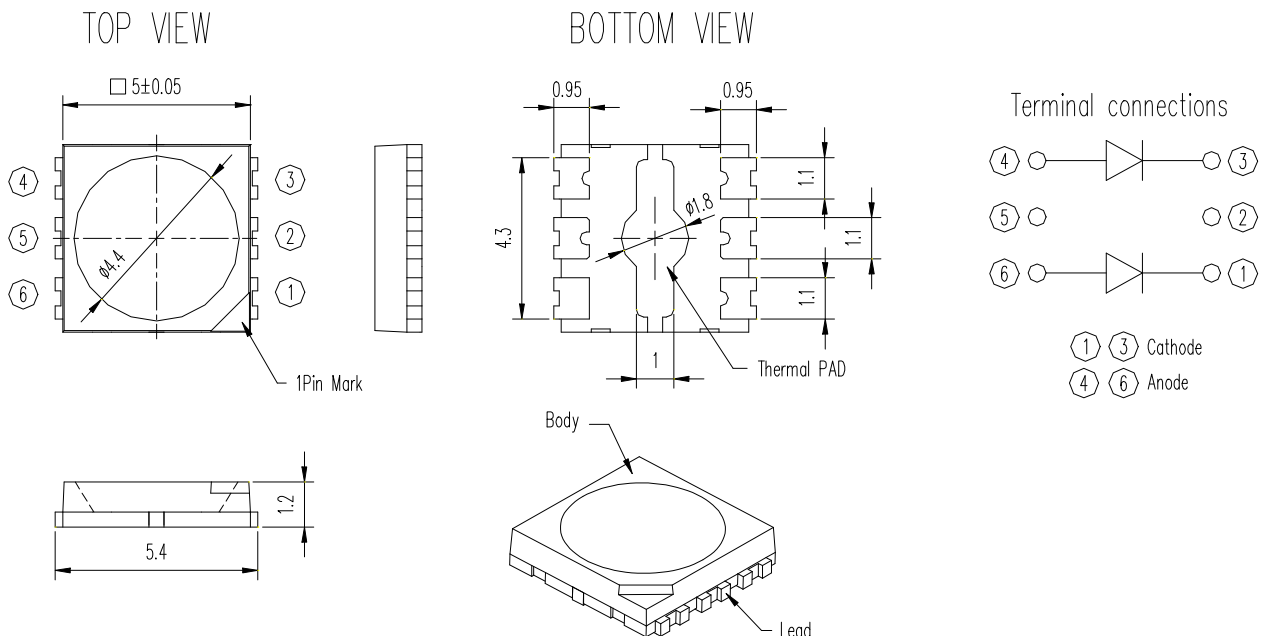
Features

- High power LED light source
- Long life, up to 100k hours
- Instant light (less than 100 ns)
- Low voltage DC operated
- Low thermal resistance
- RoHS Compliant
- Lead free reflow solder compatible

Applications

- Reading lights (car, bus, aircraft)
- Portable (flashlight, bicycle)
- Downlighters/Orientation
- Decorative/Entertainment
- Bollards/Security/Garden
- Cove/Undershelf/Task
- Traffic signaling/Beacons/ Rail crossing and Wayside
- Indoor/Outdoor Commercial Residential Architectural
- Edge_lit signs (Exit, point of sale)

2. Outline Dimensions



Notes

1. All dimensions are in millimeters.
2. Tolerance is ± 0.2 mm (.008") unless otherwise noted.

3. Rating and Characteristics

Absolute Maximum Ratings at Ta=25°C

Parameter	Symbol	Rating	Unit
Power Dissipation	P _O	0.7	W
Forward Current * ¹	I _F	80	mA
Forward Pulse Current * ^{1, 2}	I _{FP}	100	mA
Reverse Voltage * ¹	V _R	5	V
Junction Temperature	T _j	115	°C
Thermal Resistance, Junction-Case	R _{th, J-C}	20	°C/W
Thermal Resistance, Junction-Ambient	R _{th, J-A}	50	°C/W
Operating Temperature Range	T _{opr}	-40 - 85	°C
Storage Temperature Range	T _{stg}	-40 - 100	°C

Notes

1. The value are based on one die performance.
2. The pulse mode condition is 1/10 duty cycle with 100 msec pulse width.

Electro-Optical Characteristics at Ta=25°C

Parameter	Symbol	MIN.	TYP.	MAX.	Test Condition	Unit
Forward Voltage* ¹	V _F	2.7	3.0	3.6	I _F = 40mA* ¹	V
		2.7	3.2	3.8	I _F = 75mA* ¹	
Luminous Flux* ²	Φ _V		21		I _F = 40mA* ¹	lm
		30.6	37		I _F = 75mA* ¹	
Efficiency	η		85		I _F = 40mA* ¹	lm/W
			75		I _F = 75mA* ¹	
Reverse Current* ¹	I _R			100	V _R = 5V* ¹	μA
Color Rendering Index	CRI		70		I _F = 75mA* ¹	
View Angle* ²	2θ _{1/2}		120		I _F = 75mA* ¹	°
Chromaticity Coordinates* ²	C _x		0.327		I _F = 40mA* ¹	
	C _y		0.329			
	C _x		0.330		I _F = 75mA* ¹	
	C _y		0.342			

Notes

1. For each die.
2. When all LED dies are operated simultaneously.
3. Luminous flux is the total luminous flux output as measured with an integrating sphere.
4. The chromaticity coordinates (x, y) is derived from the CIE 1931 chromaticity diagram.
5. IS CAS140B is for the luminous flux (lm) and the CIE1931 chromaticity coordinates (x, y) testing.
The chromaticity coordinates (x, y) guarantee should be added ± 0.005 tolerance.

Typical Electrical / Optical Characteristics Curves

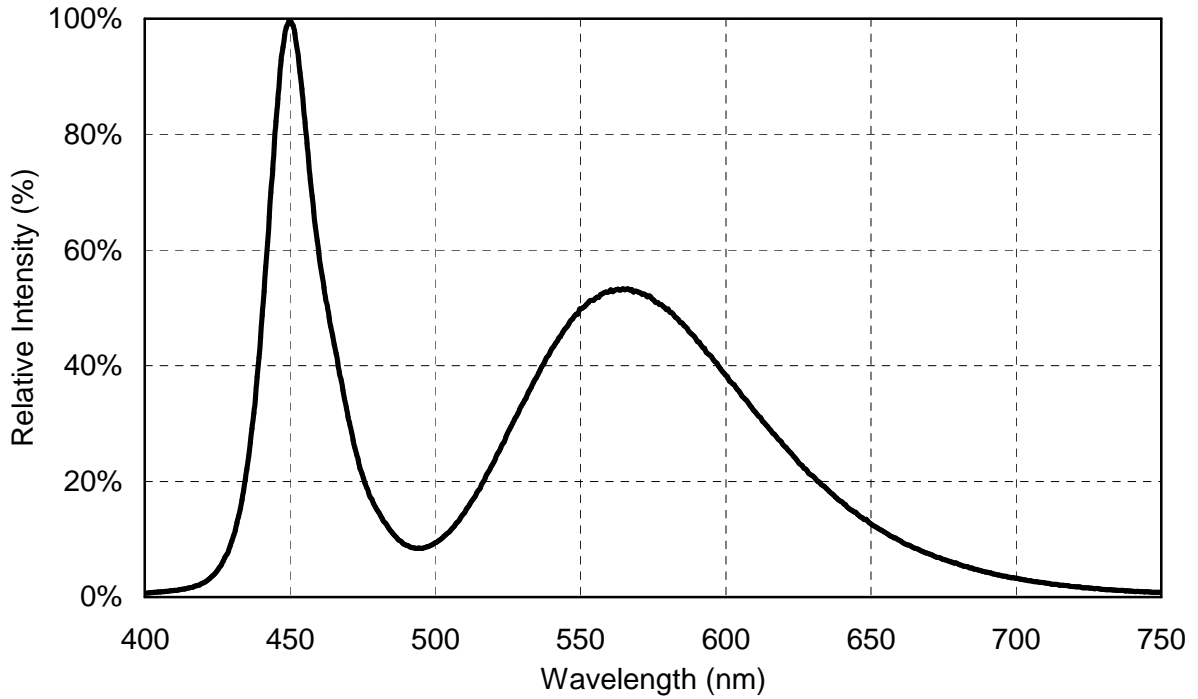


Fig 1. Relative Spectrum of Emission

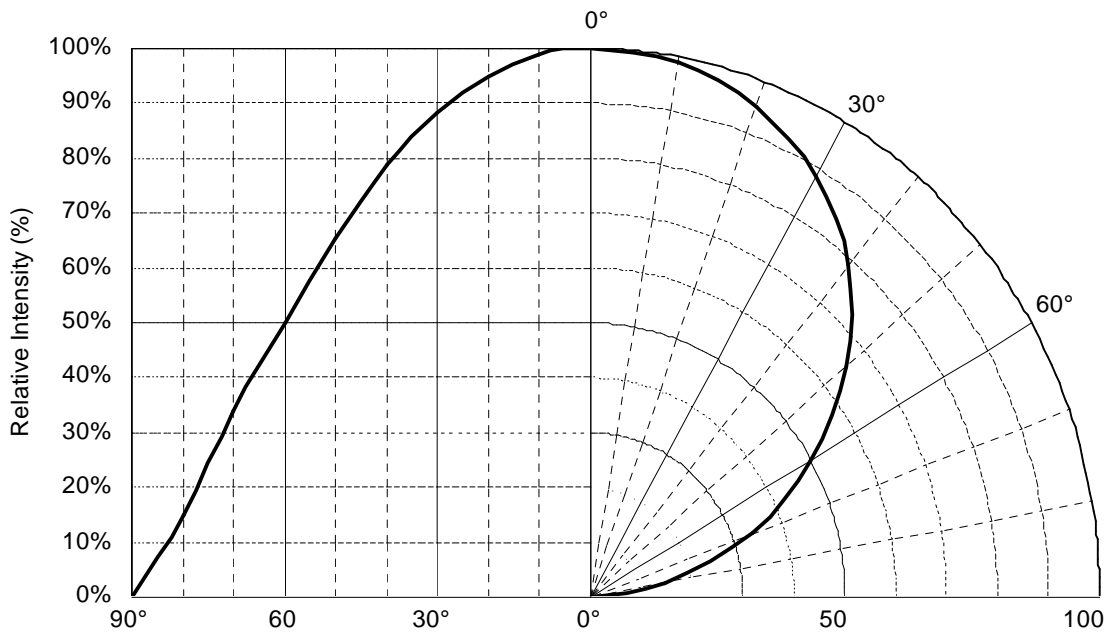


Fig 2. Radiation Characteristics

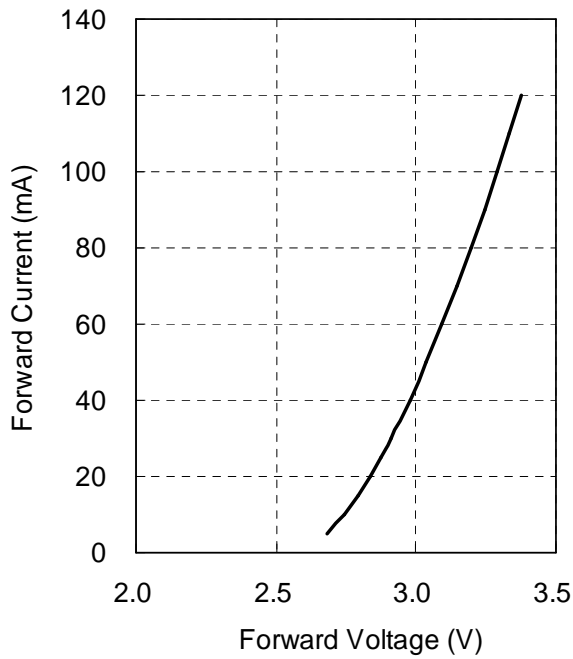


Fig 3. Forward Current

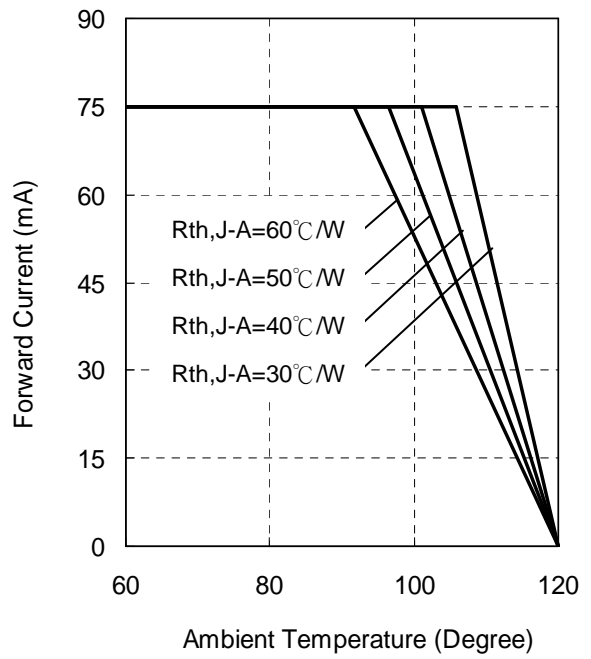


Fig 4. Forward Current Derating Curve

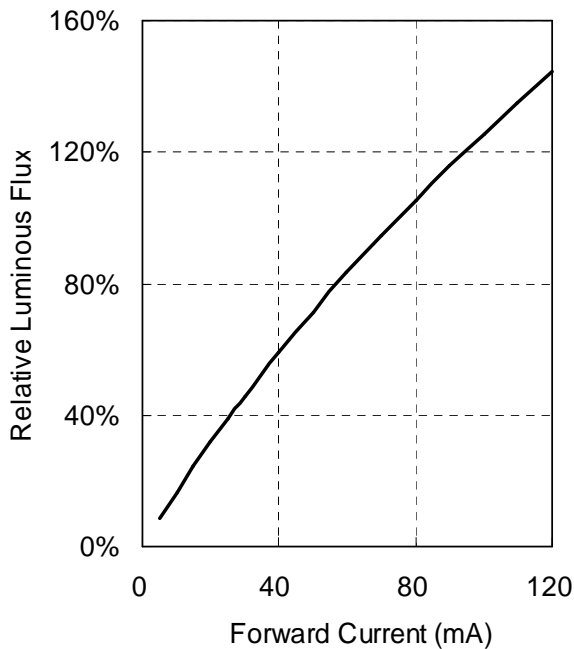


Fig 5. Relative Luminous Flux

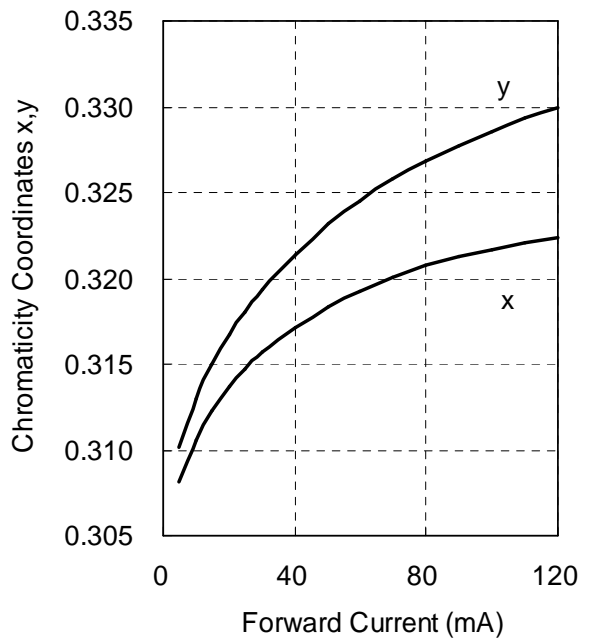


Fig 6. Chromaticity Coordinate Shift

4. Category Code Table

Q0		V1
----	--	----

Chromaticity Coordinate Categories

Code	x	y	Code	x	y	Code	x	y
V1	0.3319	0.3446	V2	0.3318	0.3327	V3	0.3267	0.3399
(5700)	0.3320	0.3565	(5700)	0.3319	0.3446	(5700)	0.3263	0.3513
	0.3376	0.3616		0.3371	0.3493		0.3320	0.3565
	0.3371	0.3493		0.3366	0.3369		0.3319	0.3446
V4	0.3270	0.3285	V5	0.3215	0.3353	V6	0.3222	0.3243
(5700)	0.3267	0.3399	(5700)	0.3207	0.3462	(5700)	0.3215	0.3353
	0.3319	0.3446		0.3263	0.3513		0.3267	0.3399
	0.3318	0.3327		0.3267	0.3399		0.3270	0.3285
X1	0.3158	0.3317	X2	0.3170	0.3212	X3	0.3103	0.3263
(6500)	0.3146	0.3422	(6500)	0.3158	0.3317	(6500)	0.3087	0.3363
	0.3205	0.3481		0.3213	0.3371		0.3146	0.3422
	0.3213	0.3371		0.3221	0.3261		0.3158	0.3317
X4	0.3119	0.3162	X5	0.3048	0.3209	X6	0.3068	0.3113
(6500)	0.3103	0.3263	(6500)	0.3028	0.3304	(6500)	0.3048	0.3209
	0.3158	0.3317		0.3087	0.3363		0.3103	0.3263
	0.3170	0.3212		0.3103	0.3263		0.3119	0.3162

Luminous Flux Categories

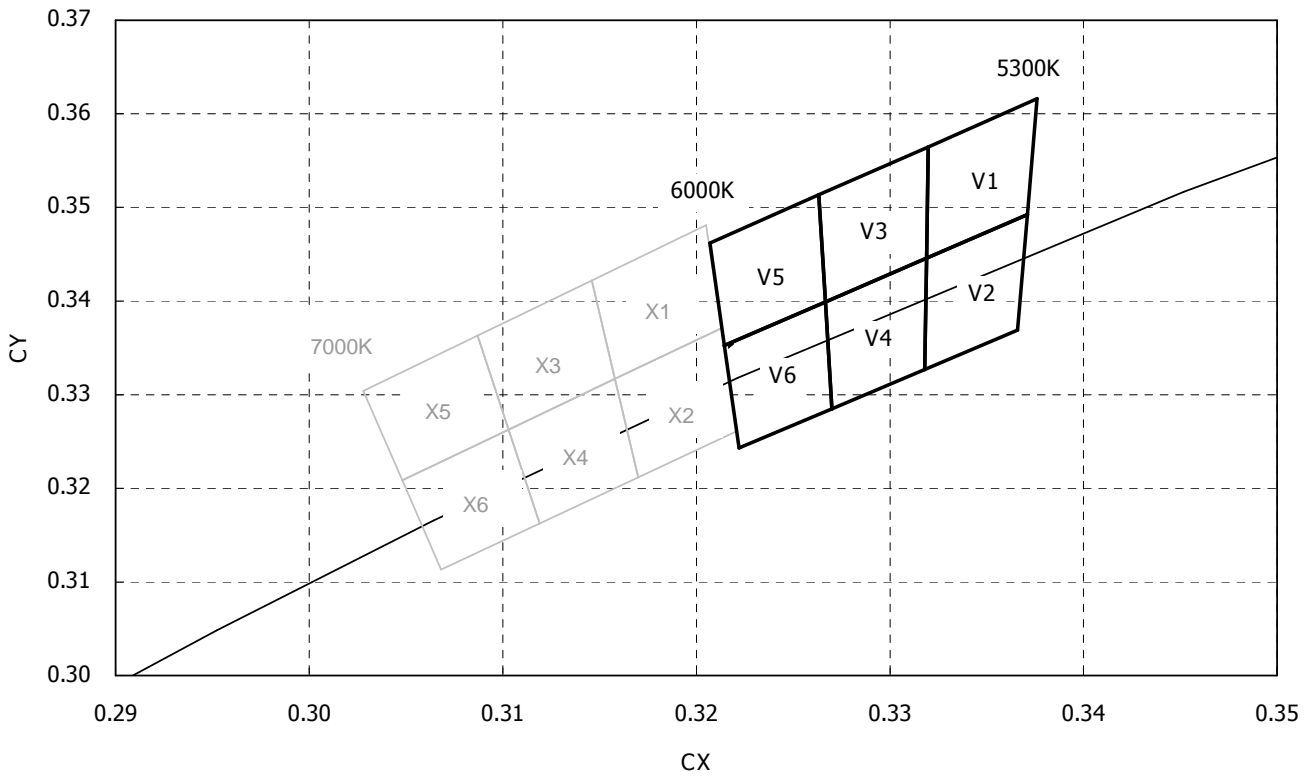
Code	Min	Max
Q0	30.6	39.8
R0	39.8	51.7

CCT Bin Grade Spec

V:	5300-6000 K
X:	6000-7000 K

Notes

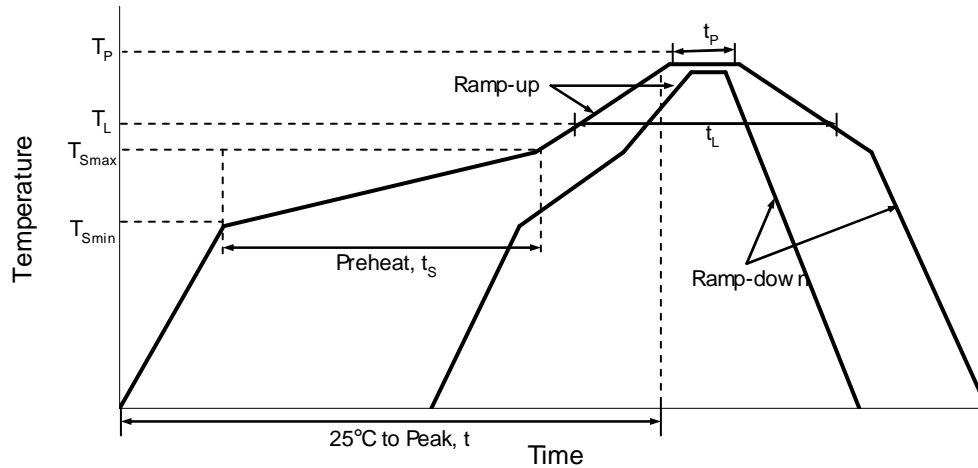
1. The value is all dies operated performance with forward current 75mA per die.
2. Luminous flux measurement allowance is $\pm 7\%$.



Notes

1. The value is all dies operated performance.
2. The chromaticity coordinates (x, y) is derived from the CIE 1931 chromaticity diagram.
3. IS CAS140B is for the luminous flux (lm) and the CIE1931 chromaticity coordinates (x, y) testing.
The chromaticity coordinates (x, y) guarantee should be added ± 0.005 tolerance.

5. Reflow Soldering Characteristics



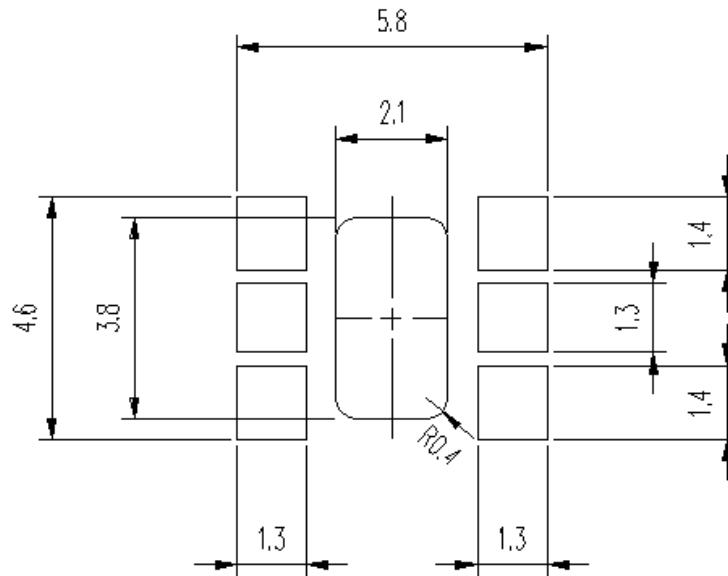
Profile Feature	Lead Free Assembly
Average Ramp-Up Rate (T_{Smax} to T_P)	3°C / second max
Preheat Temperature Min (T_{Smin})	150°C
Preheat Temperature Max (T_{Smax})	200°C
Preheat Time (t_{Smin} to t_{Smax})	60 – 180 seconds
Time Maintained Above Temperature (T_L)	217°C
Time Maintained Above Time (t_L)	60 – 150 seconds
Peak / Classification Temperature (T_P)	260°C
Time Within 5°C of Actual Peak Temperature (t_p)	5 seconds
Ramp – Down Rate	6°C / second max
Time 25°C to Peak Temperature	8 minutes max

Notes:

1. The LEDs can be soldered using the reflow soldering or hand soldering method. The recommended hand soldering condition is 350°C max. and 2secs max. for one time only.
2. All temperatures refer to topside of the package, measured on the package body surface.
3. The soldering condition referring to J-STD-020B. If the LEDs were unpacked more than 72hrs, we recommend baking the LEDs at 60°C at least 12 hours before soldering process.
4. The soldering profile could be further referred to different soldering grease material characteristic. The grease vendor will provide this information.
5. A rapid-rate process is not recommended for the LEDs cooling down from the peak temperature.
6. Although the recommended reflow conditions are specified above, the reflow or hand soldering condition at the lowest possible temperature is desirable for the LEDs.
7. LiteOn cannot make a guarantee on the LEDs which have been already assembled using the dip soldering method

6. Recommend Solder Pad

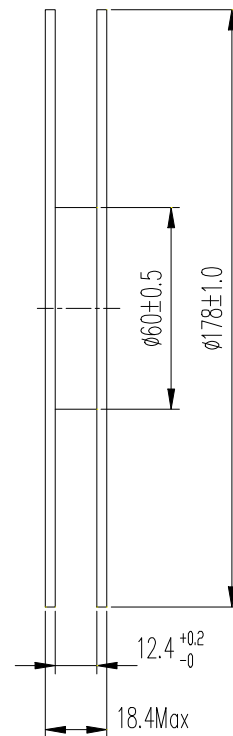
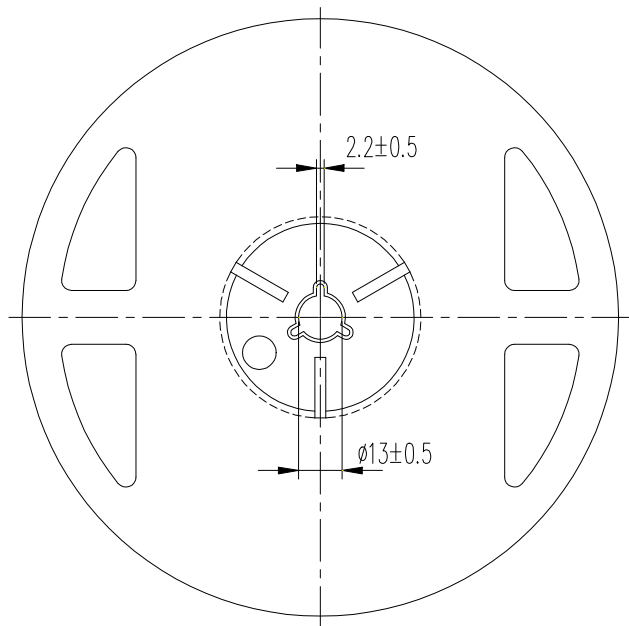
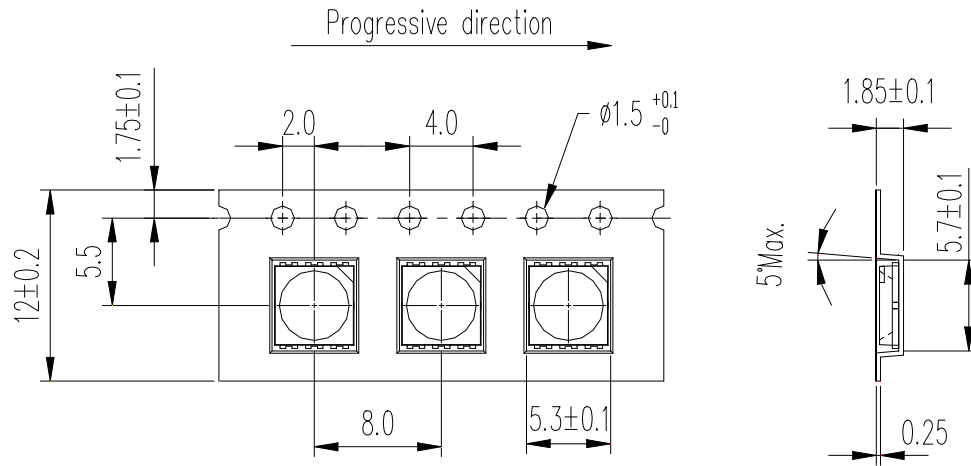
Solder Pad Design



Notes:

1. All dimensions are in millimeters
2. The circle metallization board and lead contact pad is electrically isolated.

7. Package Dimensions of Tape and Reel



Note: The tolerances unless mentioned is ± 0.1 mm, Unit=mm

Notes:

1. Empty component pockets sealed with top cover tape.
2. 1000 pieces per 7 inch reel. (Min. packing quantities are 500 pieces for remainders)
3. The maximum number of consecutive missing LED is two.
4. In accordance with EIA-481-1-L23 specifications.

8. Cautions

Application

The LEDs described here are intended to be used for ordinary electronic equipment (such as office equipment, communication equipment and household applications). Consult Liteon's Sales in advance for information on applications in which exceptional reliability is required, particularly when the failure or malfunction of the LEDs may directly jeopardize life or health (such as in aviation, transportation, traffic control equipment, medical and life support systems and safety devices).

Storage

This product is qualified as Moisture Sensitive Level 4 per JEDEC J-STD-020 Precaution when handling this moisture sensitive product is important to ensure the reliability of the product.

The package is sealed:

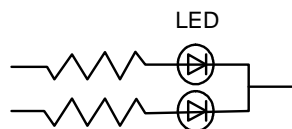
The LEDs should be stored at 30 °C or less and 90%RH or less. And the LEDs are limited to use within one year, while the LEDs is packed in moisture-proof package with the desiccants inside.

The package is opened:

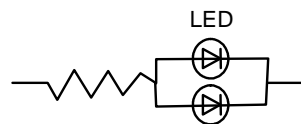
The LEDs should be stored at 30 °C or less and 60%RH or less. Moreover, the LEDs are limited to solder process within 72hrs. If the Humidity Indicator shows the pink color in 10% even higher or exceed the storage limiting time since opened, that we recommended to be with workable desiccants in original package.

Drive Method

An LED is a current-operated device. In order to ensure intensity uniformity on multiple LEDs connected in parallel in an application, it is recommended that a current limiting resistor be incorporated in the drive circuit, in series with each LED as shown in Circuit A below.



Circuit model A



Circuit model B

(A) Recommended circuit.

(B) The brightness of each LED might appear different due to the differences in the I-V characteristics of those LEDs.

Reliability Test

Test Item	Test Condition	Test Point	Number of Damaged
Resistance to Soldering Heat	$T_{sld} = 260^{\circ}\text{C}$, 10 sec	1 Time	0 / 22
Solderability	$T_{sld} = 245 \pm 5^{\circ}\text{C}$, 3 sec	1 Time	0 / 22
Room Temperature Operating Life	25°C , $I_F = 75\text{mA/Die}$	1000 Hours	0 / 22
High Temperature and High Humidity Life	$85^{\circ}\text{C} / 85\%\text{RH}$, $I_F = 30\text{mA/Die}$	1000 Hours	0 / 22
Temperature Cycle	$-40^{\circ}\text{C} / 100^{\circ}\text{C}$, 15 min dwell, < 5 min transfer	200 Cycles	0 / 22
Thermal Shock	$-30^{\circ}\text{C} / 85^{\circ}\text{C}$, 30 min dwell, < 20 sec transfer	200 Cycles	0 / 22
High Temperature Storage	$T_a = 100^{\circ}\text{C}$	1000 Hours	0 / 22
Low Temperature Storage	$T_a = -40^{\circ}\text{C}$	1000 Hours	0 / 22

Criteria for Judging the Damage

Item	Symbol	Test Condition	Criteria for Judgment	
			Min.	Max.
Forward Voltage	Vf	$I_F = 75\text{mA/Die}$		U.S.L. x 1.1
Luminous Intensity	Lm	$I_F = 75\text{mA/Die}$	L.S.L. x 0.7	

ESD (Electrostatic Discharge)

Static Electricity or power surge will damage the LED. Suggestions to prevent ESD damage:

- Use a conductive wrist band or anti-electrostatic glove when handling these LEDs.
- All devices, equipment, and machinery must be properly grounded.
- Work tables, storage racks, etc. should be properly grounded.
- Use ion blower to neutralize the static charge which might have built up on surface of the LED's plastic lens as a result of friction between LEDs during storage and handling.

ESD-damaged LEDs will exhibit abnormal characteristics such as high reverse leakage current, low forward voltage, or "no light up" at low currents. To verify for ESD damage, check for "light up" and V_F of the suspect LEDs at low currents. The V_F of "good" LEDs should be $>2.0V@0.1mA$ for InGaN product.

Suggested Checking List

Static-Safe Workstation & Work Areas

1. Static-safe working stations or work-areas have ESD signs.
2. All surfaces and objects at all static-safe workstation and within 1 ft measure less than 100V.
3. All ionizer activated, positioned towards the units.
4. Each work surface mats grounding is good.

Personnel Grounding

1. Every person (including visitors) handling ESD sensitive (ESDS) items wear wrist strap, heel strap or conductive shoes with conductive flooring.
2. If conductive footwear used, conductive flooring also present.
3. Garments, hairs or anything closer than 1 ft to ESD items measure less than 100V.
4. The wrist strap or heel strap/conductive shoes are checked daily and result recorded.
5. All wrist strap or heel strap checkers calibration up to date.

Device Handling

1. Each ESDS items identified by EIA-471 labels on item or packaging..
2. No static charge generators (e.g. plastics) inside shielding containers with ESDS items.
3. All flexible conductive and dissipative package materials are inspected before reuse or recycles