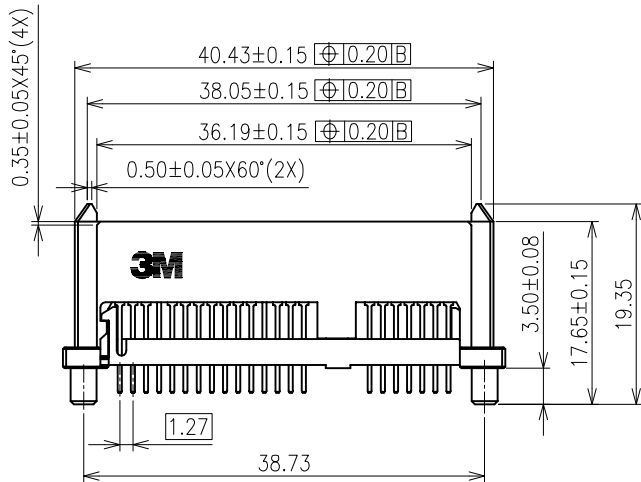
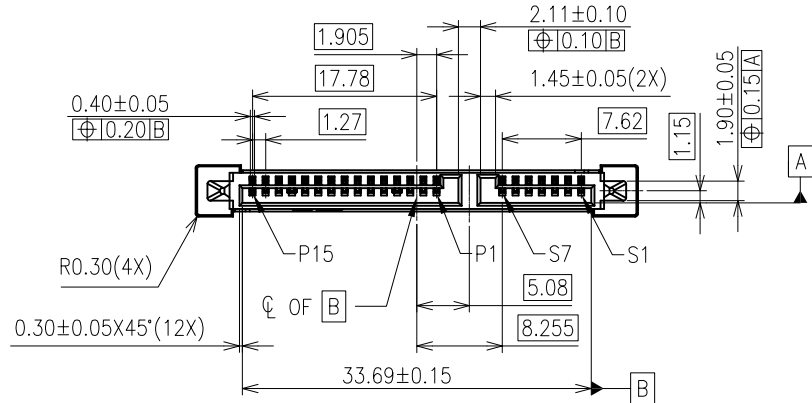


3M™ Serial Advanced Technology Attachment (SATA) 22P Connector  
Vertical, Elevated Pressfit and Through-Hole Receptacle, 5622 Series

REVISION RECORD		
REV.	ECR/ECN/ECO NUMBER	DATE
C	ECO-0040594	07/05/12



NOTES:

- RoHS COMPLIANT. SEE REGULATORY INFORMATION APPENDIX IN "RoHS COMPLIANCE" SECTION AT WWW.3M.COM/INTERCONNECT (E1 & C1 APPLY)
- MEETS SATA SPECIFICATION
- PHYSICAL:  
HOUSING: HIGH TEMPERATURE THERMOPLASTIC, BLACK, UL94V-0  
CONTACT: COPPER ALLOY
- ELECTRICAL:  
CURRENT RATING: POWER PIN: 1.5A  
INSULATION RESISTANCE:  $10^3$  MΩ min.  
WITHSTANDING VOLTAGE:  $500V_{ac}$  AT SEA LEVEL
- ENVIRONMENTAL:  
OPERATING TEMPERATURE RANGE: -40°C TO +85°C
- UL FILE NO. E68080
- ORDERING INFORMATION:

5622-XXXX-ML

TYPE: \_\_\_\_\_  
2=VERTICAL RECEPTACLE

TERM TYPE: \_\_\_\_\_  
1=PLATED THROUGH-HOLE  
6=PRESSFIT

OPTIONS: \_\_\_\_\_  
0=MOUNTING FLANGE W/PCB RETENTION CLIP

PLATING:  
ML: 30u" MIN. Au AT MATING AREA  
: 50u" MIN. Ni UNDERPLATE  
: 100u" MIN. Sn AT TERMINATION AREA

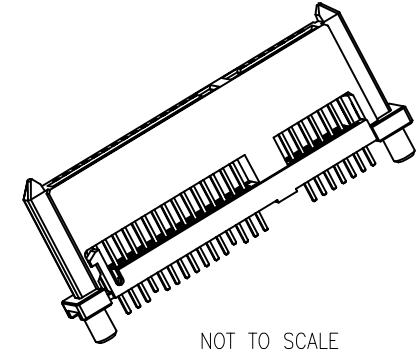
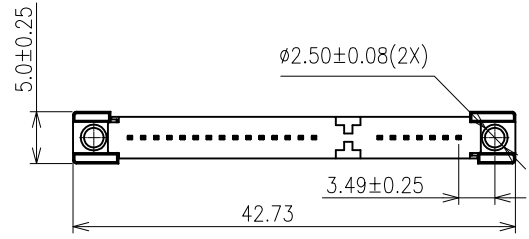
BODY SHAPE:  
3=VERTICAL W/EXTENDED BODY 2.85MM

Visit <http://www.3mconnectors.com>

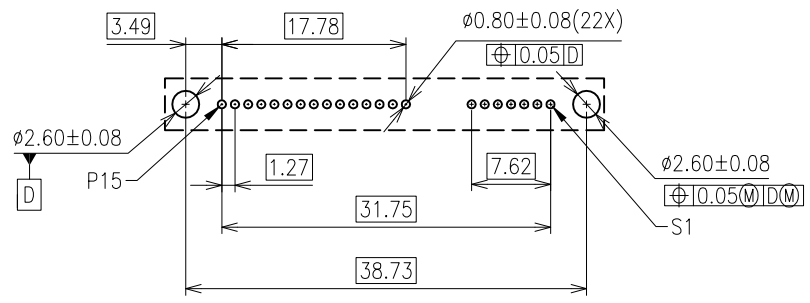
UNIT: MM	DFTG OH KIM CHYE	DATE 07/05/12		DIVISION ESD	STATUS RELEASED
GEN. TOLERANCES	CHKD QIAO YUN LONG	DATE 07/05/12		MODEL _____	
LINEAR .0 =±0.25 .00 =±0.15 ±0.20 .000=±0.05	APPVL ALAN ANG	DATE 07/05/12	TITLE Serial Advanced Technology Attachment (SATA) 22P Connector Vertical, Elevated Pressfit and Through-hole Receptacle		
ANGLE=±± ±3'	THIS DOCUMENT CONTAINS INFORMATION WHICH IS PROPRIETARY TO 3M COMPANY. NO REPRODUCTION OR PUBLICATION OF THIS DOCUMENT, IN WHOLE OR IN PART, SHALL BE MADE WITHOUT AUTHORIZATION FROM 3M. ©3M 2012. ALL RIGHTS RESERVED.		SIZE A3	DRAWING NO. 78-5100-2202-9	REV C
PROJECTION	INTERPRET PER ASME Y14.5M-1994		SCALE : NTS		
	CRITICAL DIMENSION: ▲		DET LIST <input type="checkbox"/> YES <input type="checkbox"/> NO		SHT 1 of 4

3M Serial Advanced Technology Attachment (SATA) 22P Connector  
Vertical, Elevated Pressfit and Through-Hole Receptacle, 5622 Series

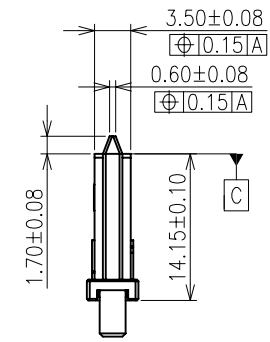
REVISION RECORD		
REV.	ECR/ECN/ECO NUMBER	DATE
REFER TO SHT 1 of 2		



NOT TO SCALE  
VERTICAL THROUGH-HOLE ELEVATED



RECOMMENDED PCB LAYOUT  
PCB THICKNESS 1.50 TO 2.00

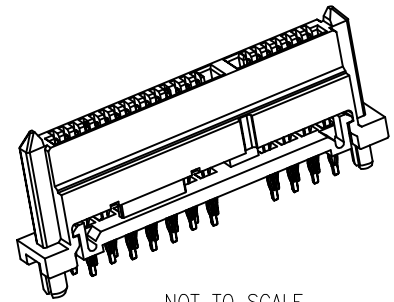
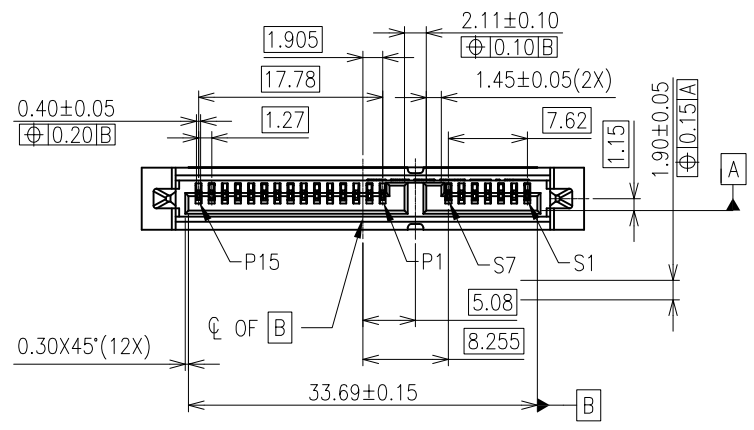


Visit <http://www.3Mconnectors.com>

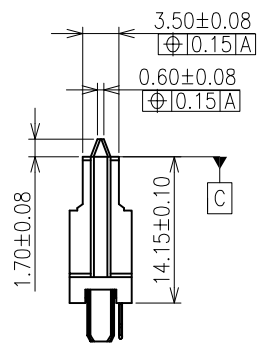
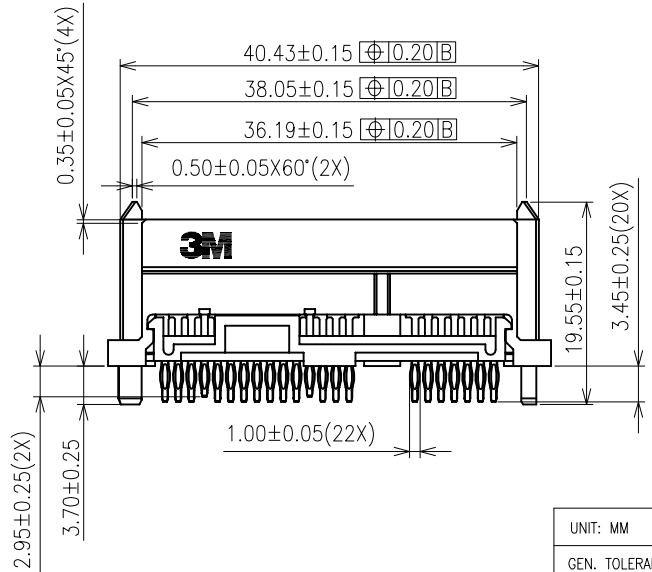
UNIT: MM	DFTG OH KIM CHYE	DATE 07/05/12		DIVISION ESD	STATUS RELEASED	
GEN. TOLERANCES	CHKD QIAO YUN LONG	DATE 07/05/12		MODEL		
LINEAR .0 =±0.25 .00 =±0.15 ±0.20 .000 =±0.05	APPVL ALAN ANG	DATE 07/05/12	TITLE Serial Advanced Technology Attachment (SATA) 22P Connector Vertical, Elevated Pressfit and Through-hole Receptacle	SIZE A3	DRAWING NO. 78-5100-2202-9	REV C
ANGLE=±± ±3°	THIS DOCUMENT CONTAINS INFORMATION WHICH IS PROPRIETARY TO 3M COMPANY. NO REPRODUCTION OR PUBLICATION OF THIS DOCUMENT, IN WHOLE OR IN PART, SHALL BE MADE WITHOUT AUTHORIZATION FROM 3M. ©3M 2012. ALL RIGHTS RESERVED.		PROJECTION	INTERPRET PER ASME Y14.5M-1994	SCALE : NTS	DET LIST <input type="checkbox"/> YES <input type="checkbox"/> NO
	CRITICAL DIMENSION: ▲			SHT 2 of 4		

3M Serial Advanced Technology Attachment (SATA) 22P Connector  
Vertical, Elevated Pressfit and Through-Hole Receptacle, 5622 Series

REVISION RECORD		
REV.	ECR/ECN/ECO NUMBER	DATE
REFER TO SHT 1 of 2		



NOT TO SCALE  
VERTICAL PRESSFIT ELEVATED

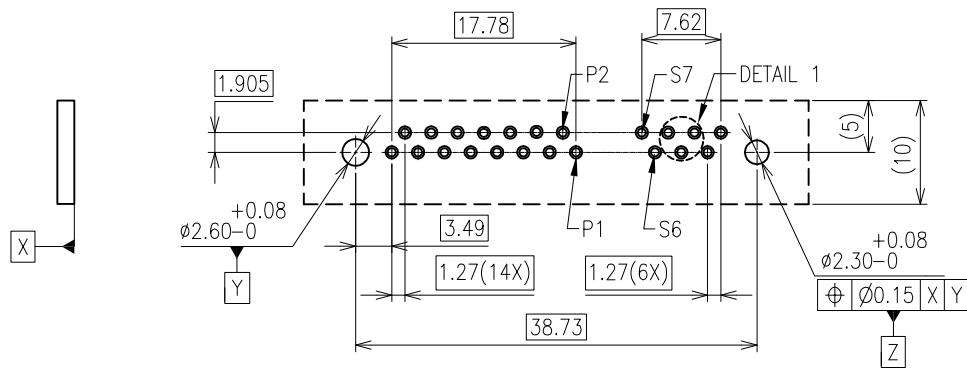
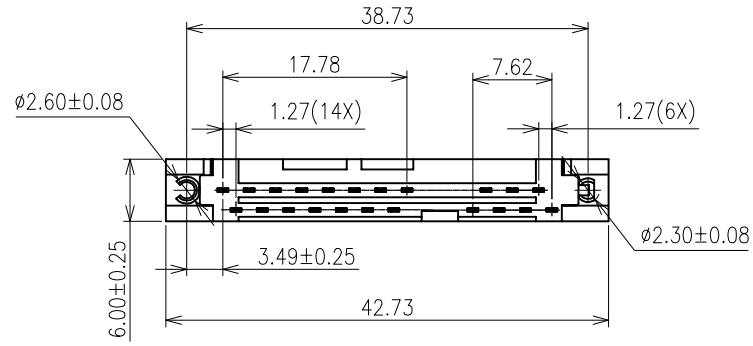


Visit <http://www.3Mconnectors.com>

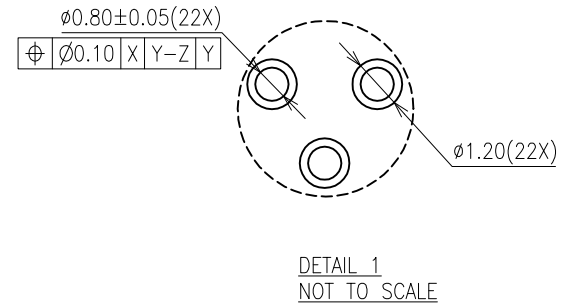
UNIT: MM	DFTG OH KIM CHYE	DATE 07/05/12		DIVISION ESD	STATUS RELEASED
GEN. TOLERANCES	CHKD QIAO YUN LONG	DATE 07/05/12		MODEL	
LINEAR .0 =±0.25 .00 =±0.15 ±0.20 .000=±0.05	APPVL ALAN ANG	DATE 07/05/12	TITLE	Serial Advanced Technology Attachment (SATA) 22P Connector Vertical, Elevated Pressfit and Through-hole Receptacle	
ANGLE=±± 3°	THIS DOCUMENT CONTAINS INFORMATION WHICH IS PROPRIETARY TO 3M COMPANY. NO REPRODUCTION OR PUBLICATION OF THIS DOCUMENT, IN WHOLE OR IN PART, SHALL BE MADE WITHOUT AUTHORIZATION FROM 3M. ©3M 2012. ALL RIGHTS RESERVED.		SIZE A3	DRAWING NO. 78-5100-2202-9	REV C
PROJECTION	INTERPRET PER ASME Y14.5M-1994		SCALE : NTS	DET LIST <input type="checkbox"/> YES <input type="checkbox"/> NO	SHT 3 of 4
	CRITICAL DIMENSION: ▲				

3M Serial Advanced Technology Attachment (SATA) 22P Connector  
Vertical, Elevated Pressfit and Through-Hole Receptacle, 5622 Series

REVISION RECORD		
REV.	ECR/ECN/ECO NUMBER	DATE
REFER TO SHT 1 of 2		



RECOMMENDED PCB LAYOUT  
PCB THICKNESS 1.50 TO 2.00



Visit <http://www.3Mconnectors.com>

UNIT: MM	DFTG OH KIM CHYE	DATE 07/05/12		DIVISION ESD	STATUS RELEASED
GEN. TOLERANCES	CHKD QIAO YUN LONG	DATE 07/05/12		MODEL	
LINEAR .0 =±0.25 .00 =±0.15 ±0.20 .000=±0.05	APPVL ALAN ANG	DATE 07/05/12	TITLE Serial Advanced Technology Attachment (SATA) 22P Connector Vertical, Elevated Pressfit and Through-hole Receptacle		
ANGLE=±± ±3'	THIS DOCUMENT CONTAINS INFORMATION WHICH IS PROPRIETARY TO 3M COMPANY. NO REPRODUCTION OR PUBLICATION OF THIS DOCUMENT, IN WHOLE OR IN PART, SHALL BE MADE WITHOUT AUTHORIZATION FROM 3M. ©3M 2012. ALL RIGHTS RESERVED.		SIZE A3	DRAWING NO. 78-5100-2202-9	REV C
PROJECTION	INTERPRET PER ASME Y14.5M-1994	CRITICAL DIMENSION: ▲		SCALE : NTS	DET LIST <input type="checkbox"/> YES <input type="checkbox"/> NO
			SHT 4 of 4		