

**Industrial Ethernet  
IE-M12-ADAP S**

**Weidmüller Interface GmbH & Co. KG**  
Klingenbergstraße 16  
D-32758 Detmold  
Germany  
Fon: +49 5231 14-0  
Fax: +49 5231 14-292083  
www.weidmueller.com



M12 panel feed-through, IP67

**General ordering data**

Type	IE-M12-ADAP S
Order No.	<a href="#">8901620000</a>
Version	Adapter, straight, RJ45, M12, Cat.5 (ISO/IEC 11801), IP67
GTIN (EAN)	4032248653577
Qty.	1 pc(s).

**Industrial Ethernet  
IE-M12-ADAP S**

**Weidmüller Interface GmbH & Co. KG**  
 Klingenbergstraße 16  
 D-32758 Detmold  
 Germany  
 Fon: +49 5231 14-0  
 Fax: +49 5231 14-292083  
 www.weidmueller.com

**Technical data**

**Dimensions and weights**

Net weight 32 g

**Temperatures**

Operating temperature, max.	80 °C	Operating temperature, min.	-25 °C
Storage temperature, max.	80 °C	Storage temperature, min.	-40 °C
Operating temperature	-25 °C...80 °C	Storage temperature	-40 °C...80 °C
Installation temperature			

**Environmental Product Compliance**

REACH SVHC Lead 7439-92-1

**General Info**

Connection 1	RJ45	Connection 2	M12
Description of article	Adapter, straight	Configuration	M12 socket to RJ45 socket
Housing main material	PA 66	Category	Cat.5 (ISO/IEC 11801)
Connection thread	M12	Contact surface	Gold-plated
Shielding	Yes	Protection degree	IP67

**Electrical properties**

Contact resistance ≤ 10 mΩ Current-carrying capacity at 50 °C 1 A

**Standards**

Connector standard IEC 60603-7-5, IEC 61076-2-101

**Classifications**

ETIM 3.0	EC000516	ETIM 4.0	EC000516
ETIM 5.0	EC000516	ETIM 6.0	EC000313
UNSPSC	30-21-18-14	eClass 5.1	27-26-07-02
eClass 6.2	27-25-05-04	eClass 7.1	27-25-05-04
eClass 8.1	19-17-01-25	eClass 9.0	19-17-01-25
eClass 9.1	19-17-01-25		

**Approvals**

Approvals



ROHS Conform

**Industrial Ethernet  
IE-M12-ADAP S**

**Weidmüller Interface GmbH & Co. KG**  
Klingenbergstraße 16  
D-32758 Detmold  
Germany  
Fon: +49 5231 14-0  
Fax: +49 5231 14-292083  
www.weidmueller.com

**Technical data****Downloads**

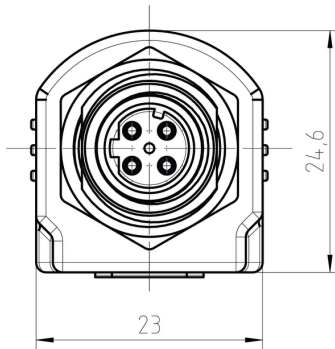
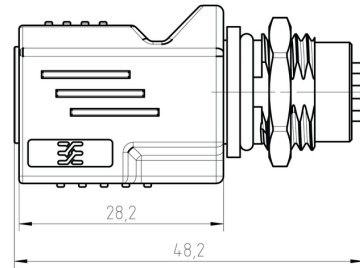
---

Approval/Certificate/Document of Conformity	<a href="#">GOST Approval</a> <a href="#">PROFINET Manufacturer's Declaration</a>
Brochure/Catalogue	<a href="#">CAT 9 IETH 15/16 EN</a> <a href="#">FL FIELDWIRING EN</a> <a href="#">PI PROFINET CABLING EN</a>
User Documentation	<a href="#">MAN IE GUIDE DE</a> <a href="#">MAN IE GUIDE EN</a>

---

**Industrial Ethernet  
IE-M12-ADAP S**

**Weidmüller Interface GmbH & Co. KG**  
Klingenbergstraße 16  
D-32758 Detmold  
Germany  
Fon: +49 5231 14-0  
Fax: +49 5231 14-292083  
www.weidmueller.com

**Drawings****Dimensioned drawing****Dimensioned drawing****Installation cut-out**