

Evaluation Board for CS4392

Features

- Demonstrates recommended layout and grounding arrangements
- CS8414 receives AES/EBU, S/PDIF, & EIAJ-340 compatible digital audio
- Digital and analog patch areas
- Requires only a digital signal source and power supplies for a complete Digital-to-Analog-Converter system

Description

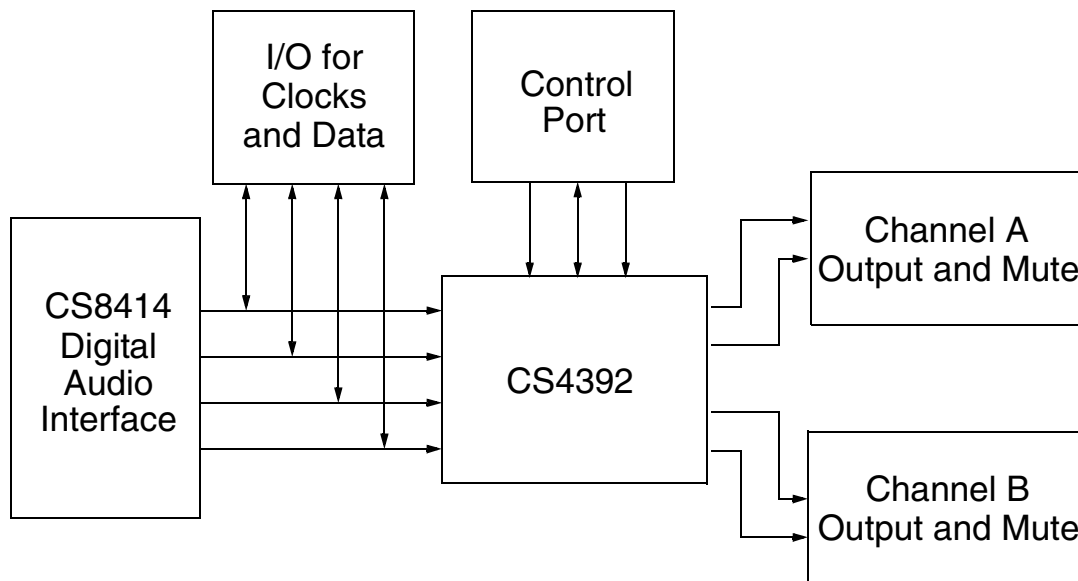
The CDB4392 evaluation board is an excellent means for quickly evaluating the CS4392 24-bit, stereo D/A converter. Evaluation requires an analog signal analyzer, a digital signal source, a PC for controlling the CS4392 (for control port mode only) and a power supply. Analog line level outputs are provided via RCA phono jacks.

The CS8414 digital audio receiver I.C. provides the system timing necessary to operate the Digital-to-Analog converter and will accept AES/EBU, S/PDIF, and EIAJ-340 compatible audio data. The evaluation board may also be configured to accept external timing and data signals for operation in a user application during system development.

ORDERING INFORMATION

CDB4392

Evaluation Board



Preliminary Product Information

This document contains information for a new product. Cirrus Logic reserves the right to modify this product without notice.

TABLE OF CONTENTS

1. CDB4392 SYSTEM OVERVIEW	3
2. CS4392 DIGITAL TO ANALOG CONVERTER	3
3. CS8414 DIGITAL AUDIO RECEIVER	3
4. CS8414 DATA FORMAT	3
5. INPUT/OUTPUT FOR CLOCKS AND DATA	4
6. POWER SUPPLY CIRCUITRY	4
7. GROUNDING AND POWER SUPPLY DECOUPLING	4
8. CONTROL PORT SOFTWARE	4
9. DSD OPERATION	4
10. ANALOG OUTPUT FILTER	5

LIST OF FIGURES

Figure 1. System Block Diagram and Signal Flow	8
Figure 2. CS4392 and Level Shifters	9
Figure 3. Channel A Selectable Instrumentation Amplifier	10
Figure 4. Channel B Selectable Instrumentation Amplifier	11
Figure 5. Channel A Audio Output and Mute Circuit	12
Figure 6. Channel B Audio Output and Mute Circuit	13
Figure 7. CS8414 Digital Audio Receiver	14
Figure 8. I/O for Clocks and Data	15
Figure 9. Control Port Interface	16
Figure 10. Power Supply and Reset Circuitry	17
Figure 11. Silkscreen Top	18
Figure 12. Top Side	19
Figure 13. Bottom Side	20

LIST OF TABLES

Table 1. CS8414 Supported Formats	3
Table 2. System Connections	5
Table 3. CDB4392 Jumper and Switch settings - STAND-ALONE MODE	6
Table 4. CDB4392 Jumper and Switch settings - CONTROL PORT MODE	7

Contacting Cirrus Logic Support

For a complete listing of Direct Sales, Distributor, and Sales Representative contacts, visit the Cirrus Logic web site at: <http://www.cirrus.com/corporate/contacts/sales.cfm>

Preliminary product information describes products which are in production, but for which full characterization data is not yet available. Advance product information describes products which are in development and subject to development changes. Cirrus Logic, Inc. has made best efforts to ensure that the information contained in this document is accurate and reliable. However, the information is subject to change without notice and is provided "AS IS" without warranty of any kind (express or implied). Customers are advised to obtain the latest version of relevant information to verify, before placing orders, that information being relied on is current and complete. All products are sold subject to the terms and conditions of sale supplied at the time of order acknowledgment, including those pertaining to warranty, patent infringement, and limitation of liability. No responsibility is assumed by Cirrus Logic, Inc. for the use of this information, including use of this information as the basis for manufacture or sale of any items, nor for infringements of patents or other rights of third parties. This document is the property of Cirrus Logic, Inc. and by furnishing this information, Cirrus Logic, Inc. grants no license, express or implied under any patents, mask work rights, copyrights, trademarks, trade secrets or other intellectual property rights of Cirrus Logic, Inc. Cirrus Logic, Inc., copyright owner of the information contained herein, gives consent for copies to be made of the information only for use within your organization with respect to Cirrus Logic integrated circuits or other parts of Cirrus Logic, Inc. The same consent is given for similar information contained on any Cirrus Logic website or disk. This consent does not extend to other copying such as copying for general distribution, advertising or promotional purposes, or for creating any work for resale. The names of products of Cirrus Logic, Inc. or other vendors and suppliers appearing in this document may be trademarks or service marks of their respective owners which may be registered in some jurisdictions. A list of Cirrus Logic, Inc. trademarks and service marks can be found at <http://www.cirrus.com>.

1. CDB4392 SYSTEM OVERVIEW

The CDB4392 evaluation board is an excellent means of quickly evaluating the CS4392. The CS8414 digital audio interface receiver provides an easy interface to digital audio signal sources including the majority of digital audio test equipment. The evaluation board also allows the user to supply clocks and data through a 10-pin header for system development.

The CDB4392 schematic has been partitioned into 9 schematics shown in Figures 2 through 10. Each partitioned schematic is represented in the system diagram shown in Figure 1. Notice that the system diagram also includes the interconnections between the partitioned schematics.

2. CS4392 DIGITAL TO ANALOG CONVERTER

A description of the CS4392 is included in the CS4392 datasheet.

3. CS8414 DIGITAL AUDIO RECEIVER

The system receives and decodes the standard S/PDIF data format using a CS8414 Digital Audio Receiver, Figure 5. The outputs of the CS8414 include a serial bit clock, serial data, left-right clock (FSYNC), de-emphasis control and a 256 Fs master clock. The operation of the CS8414 and a discussion of the digital audio interface are included in the CS8414 datasheet.

During normal operation, the CS8414 operates in the Channel Status mode where the LED's display channel status information for the channel selected by the CSLR/FCK jumper. This allows the CS8414 to decode the de-emphasis bit from the digital audio interface for control of the CS4392 de-emphasis filter, when the CS4392 is in stand-alone mode.

When the Error Information Switch is activated, the CS8414 operates in the Error and Frequency information mode. The information displayed by the

LED's can be decoded by consulting the CS8414 datasheet. It is likely that the de-emphasis control for the CS4392 will be erroneous and produce an incorrect audio output if the Error Information Switch is activated and the CS4392 is in the stand-alone mode with the de-emphasis jumper selected.

Encoded sample frequency information can be displayed provided a proper clock is being applied to the FCK pin of the CS8414. When an LED is lit, this indicates a "1" on the corresponding pin located on the CS8414. When an LED is off, this indicates a "0" on the corresponding pin. Neither the L nor R option of CSLR/FCK should be selected if the FCK pin is being driven by a clock signal.

The evaluation board has been designed such that the input can be either optical or coax, see Figure 6. However, both inputs cannot be driven simultaneously.

4. CS8414 DATA FORMAT

The CS8414 data format can be set with switches M0, M1, M2, and M3, as described in the CS8414 datasheet. The format selected must be compatible with the data format of the CS4392, as shown in the CS4392 datasheet. Please note that the CS8414 does not support all the possible modes of the CS4392 and the Left-Justified Format for the CS8414 and the CS4392 have incompatible serial clocks, see Table 1. The default settings for M0-M3 on the evaluation board are given in Tables 3-4.

CS4392 CP Mode Format	CS4392 SA Mode Format	CS8414 Format
0	0	Unsupported
1	1	2
2	2	5
3	3	Unsupported
4	-	Unsupported
5	-	6

Table 1. CS8414 Supported Formats

5. INPUT/OUTPUT FOR CLOCKS AND DATA

The evaluation board has been designed to allow interfacing to external systems via the 10-pin header, J9. This header allows the evaluation board to accept externally generated clocks and data. The schematic for the clock/data I/O is shown in Figure 8. The 74HC243 transceiver functions as an I/O buffer where HRD1 through HRD6 determine if the transceiver operates as a transmitter or receiver. A transmit function is implemented with all jumpers, HRD1 through HDR6 in the 8414 position. LRCK, SDATA, and SCLK from the CS8414 will be outputs on J9. The transceiver operates as a receiver with HRD1 through HDR6 in the EXT_CLK position. MCLK, LRCK, SDATA and SCLK on J9 become inputs.

6. POWER SUPPLY CIRCUITRY

Power is supplied to the evaluation board by five binding posts (GND, +5V, VL, +12V and -12V), see Figure 10. The +5V input supplies power to the +5 volt digital circuitry (VA+5, VD+5, VDPC+5) and to VA on the CS4392, while the VL input supplies power to the Voltage Level Converters and the CS4392 VL pin. +12V and -12V supply power to the op-amp and can be +/-5 to +/-12 volts.

WARNING: Refer to the CS4392 datasheet for maximum allowable voltages levels. Operation outside of this range can cause permanent damage to the device.

7. GROUNDING AND POWER SUPPLY DECOUPLING

The CS4392 requires careful attention to power supply and grounding arrangements to optimize performance. Figure 10 details the power distribution used on this board. The decoupling capacitors are located as close to the CS4392 as possible. Extensive use of ground plane fill in the evaluation board yields large reductions in radiated noise.

8. CONTROL PORT SOFTWARE

The CDB4392 is shipped with Windows based software for interfacing with the CS4392 control port via the DB25 connector, P1. The software can be used to communicate with the CS4392 in either SPI[®] or Two Wire mode; however, in SPI mode the CS4392 registers are write-only.

Note: The Two Wire control port mode is compatible with the I²C[®] protocol.

Further documentation for the software is available on the distribution diskette. The documentation is available in the plain text format file, README.TXT.

9. DSD OPERATION

The CDB4392 supports Direct Stream Digital (DSD) operation through the header for external clocks and data, J9. The CS4392 must be placed into the DSD mode and the jumpers HDR1 through HDR6 must be placed into the external clock positions.

10. ANALOG OUTPUT FILTER

The analog output filter on the CDB4392 has been designed to add flexibility when evaluating the CS4392. The output filter was designed in an optional two stage format, with the first optional stage being an instrumentation amplifier design and the second is a 2-pole butterworth filter.

The 2-pole filter is designed to have the in-band impedance matched between the positive and negative legs. It also provides a balanced to single ended conversion for standard un-balanced outputs.

The instrumentation amplifier is optionally inserted by changing the FILT jumpers (HDR13 and HDR15 for channel A, left, and HDR16 and

HDR17 for channel B, right) to position 2. This instrumentation amplifier incorporates a 3x gain (+9.5dB) which effectively lowers the noise contribution of the 2-pole filter which improves the overall dynamic range of the system.

Resistors R16 and R21 can be adjusted to change the gain of the Instrumentation amp, and R2(R23) must equal R3(R22). The gain of this stage is determined from the following equation where $R_1 = R16(R21)$ and $R_2 = R2(R23) = R3(R22)$:

$$1 + \frac{2(R)}{R_2}$$

CONNECTOR	INPUT/OUTPUT	SIGNAL PRESENT
+5V	Input	+ 5 Volt power
+3/+5V **	Input	+ 5 Volt **ONLY** power for the CS4392
V _L	Input	+ 1.8 to +5.5 digital interface voltage (Note that V _L should not exceed the voltage applied to the +3/+5V terminal)
V _{EE}	Input	-12 to -5V negative supply for the op-amp
V _{CC}	Input	+5 to +12V positive supply for the op-amp
GND	Input	Ground connection from power supply
Coax Input	Input	Digital audio interface input via coax
Optical Input	Input	Digital audio interface input via optical
J9	Input/Output	I/O for master, serial, left/right clocks and serial data
Parallel Port	Input/Output	Parallel connection to PC for SPI / Two Wire control port signals
HDR9	Input/Output	I/O for SPI / Two Wire control port signals
AOUTA	Output	Channel A line level analog output
AOUTB	Output	Channel B line level analog output

Table 2. System Connections

JUMPER / SWITCH	PURPOSE	POSITION	FUNCTION SELECTED
SW1 - M0	CS8414 mode selection	*LO	See CS8414 datasheet for details
SW1 - M1	CS8414 mode selection	*HI	See CS8414 datasheet for details
SW1 - M2	CS8414 mode selection	*LO	See CS8414 datasheet for details
SW1 - M3	CS8414 mode selection	*LO	See CS8414 datasheet for details
SW1 - CSLR/FCK	Selects channel for CS8414 channel status information	*LO	See CS8414 datasheet for details
HDR8	External mute for AOUTA	*ON OFF	Mute Enabled Mute Disabled
HDR7	External mute for AOUTB	*ON OFF	Mute Enabled Mute Disabled
ENCTRL	Enables / Disables parallel port	ENABLE *DISABLE	Invalid for Stand-Alone Mode Disables parallel port
M0/AD0/CS	CS4392 Mode Selection	*HI LO	See CS4392 datasheet for details
M1/SDA/CDIN	CS4392 Mode Selection	HI *LO	See CS4392 datasheet for details
M2/SCL/CCLK	CS4392 Mode Selection	GND HI *DEM	See CS4392 datasheet for details Allows the CS8414 to control de-emphasis
M3	CS4392 Mode Selection	HI *LO	See CS4392 datasheet for details
HDR1 to HDR6	Selects source of clocks and audio data	*8414 EXT	Selects CS8414 as source Digital I/O header becomes source
HDR13,15 and HDR16,17	Selects whether the optional instrumentation amplifier is used or bypassed	1 *2	Bypassed Active

Table 3. CDB4392 Jumper and Switch settings - STAND-ALONE MODE

*Settings for Stand-Alone mode

Notes: The CDB4392 evaluation board is shipped from the factory configured for Control Port mode.

JUMPER	PURPOSE	POSITION	FUNCTION SELECTED
SW1 - M0	CS8414 mode selection	*LO	See CS8414 datasheet for details
SW1 - M1	CS8414 mode selection	*HI	See CS8414 datasheet for details
SW1 - M2	CS8414 mode selection	*LO	See CS8414 datasheet for details
SW1 - M3	CS8414 mode selection	*LO	See CS8414 datasheet for details
SW1 - CSLR/FCK	Selects channel for CS8414 channel status information	*LO	See CS8414 datasheet for details
HDR8	External mute for AOUTA	*ON OFF	Mute Enabled Mute Disabled
HDR7	External mute for AOUTB	*ON OFF	Mute Enabled Mute Disabled
ENCTRL	Enables / Disables parallel port	*ENABLE DISABLE	Enables parallel port Invalid for Control Port mode
M0/AD0/CS	AD0/CS	*HI LO	“Don’t Care” for Control Port mode
M1/SDA/CDIN	SDA/CDIN Pull-Up	*HI LO	SDA/CDIN pulled high Invalid for Control Port mode
M2/SCL/CCLK	SCL/CCLK Pull-Up	GND *HI DEM	Invalid for Control Port mode SCL/CCLK pulled high Invalid for Control Port mode
M3	Not Functional	HI *LO	Must be low for Control Port mode
HDR1 to HDR6	Selects source of clocks and audio data	*8414 EXT	Selects CS8414 as source Digital I/O header becomes source
HDR13,15 and HDR16,17	Selects whether the optional instrumentation amplifier is used or bypassed	1 *2	Bypassed Active

Table 4. CDB4392 Jumper and Switch settings - CONTROL PORT MODE

*Settings for Control Port mode

Notes: The CDB4392 evaluation board is shipped from the factory configured for Control Port mode.

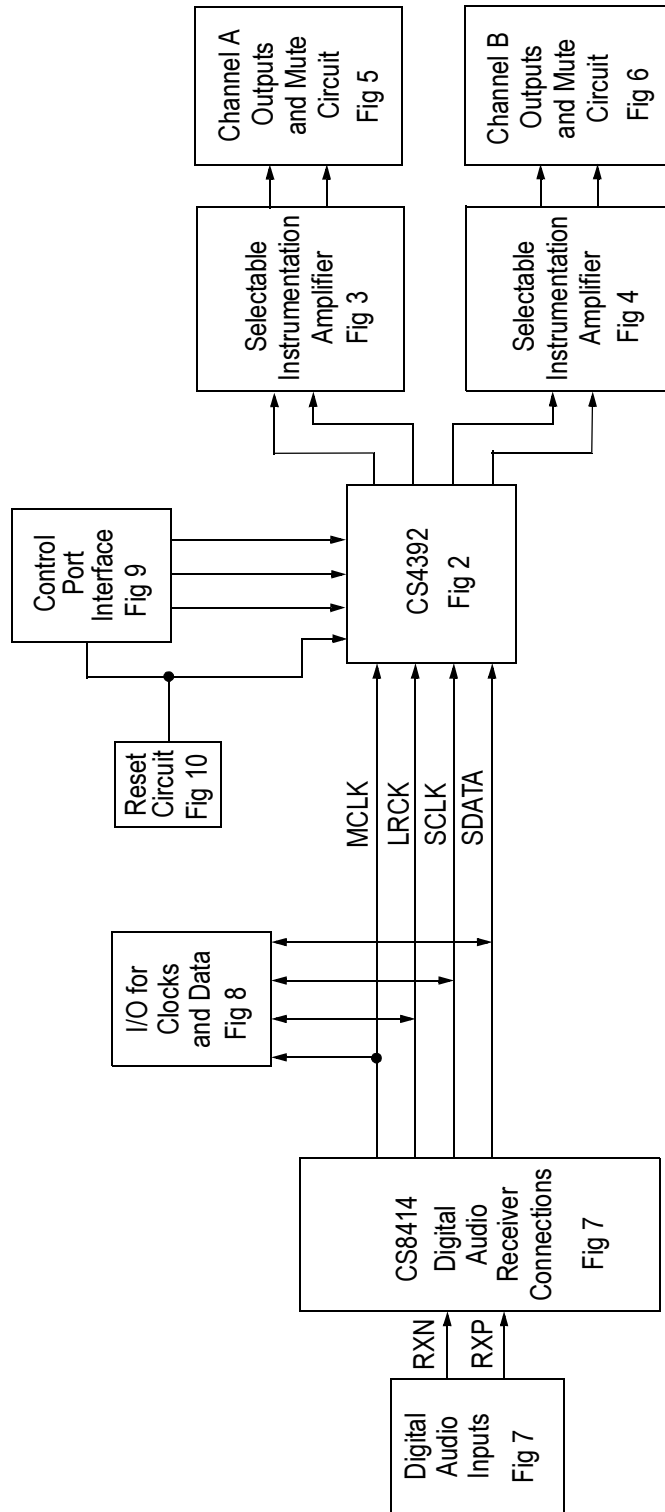


Figure 1. System Block Diagram and Signal Flow

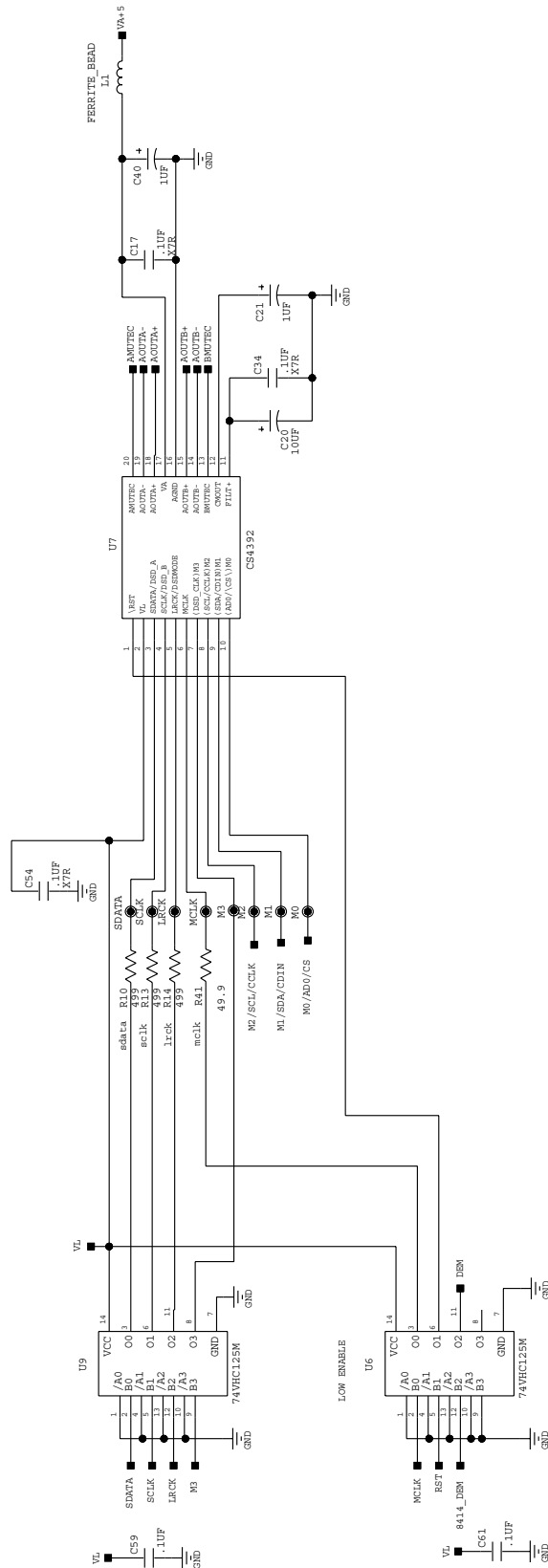


Figure 2. CS4392 and Level Shifters

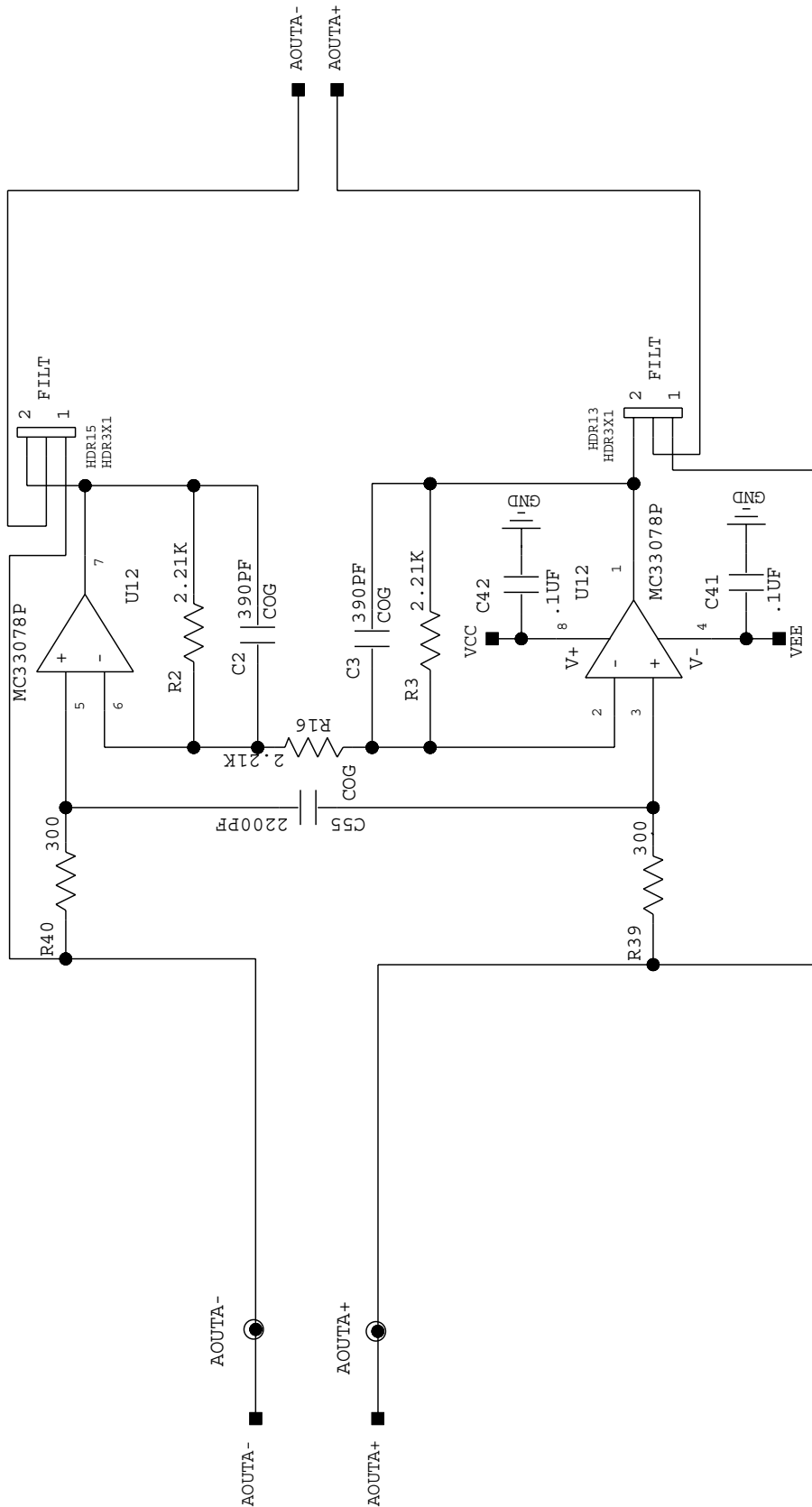


Figure 3. Channel A Selectable Instrumentation Amplifier

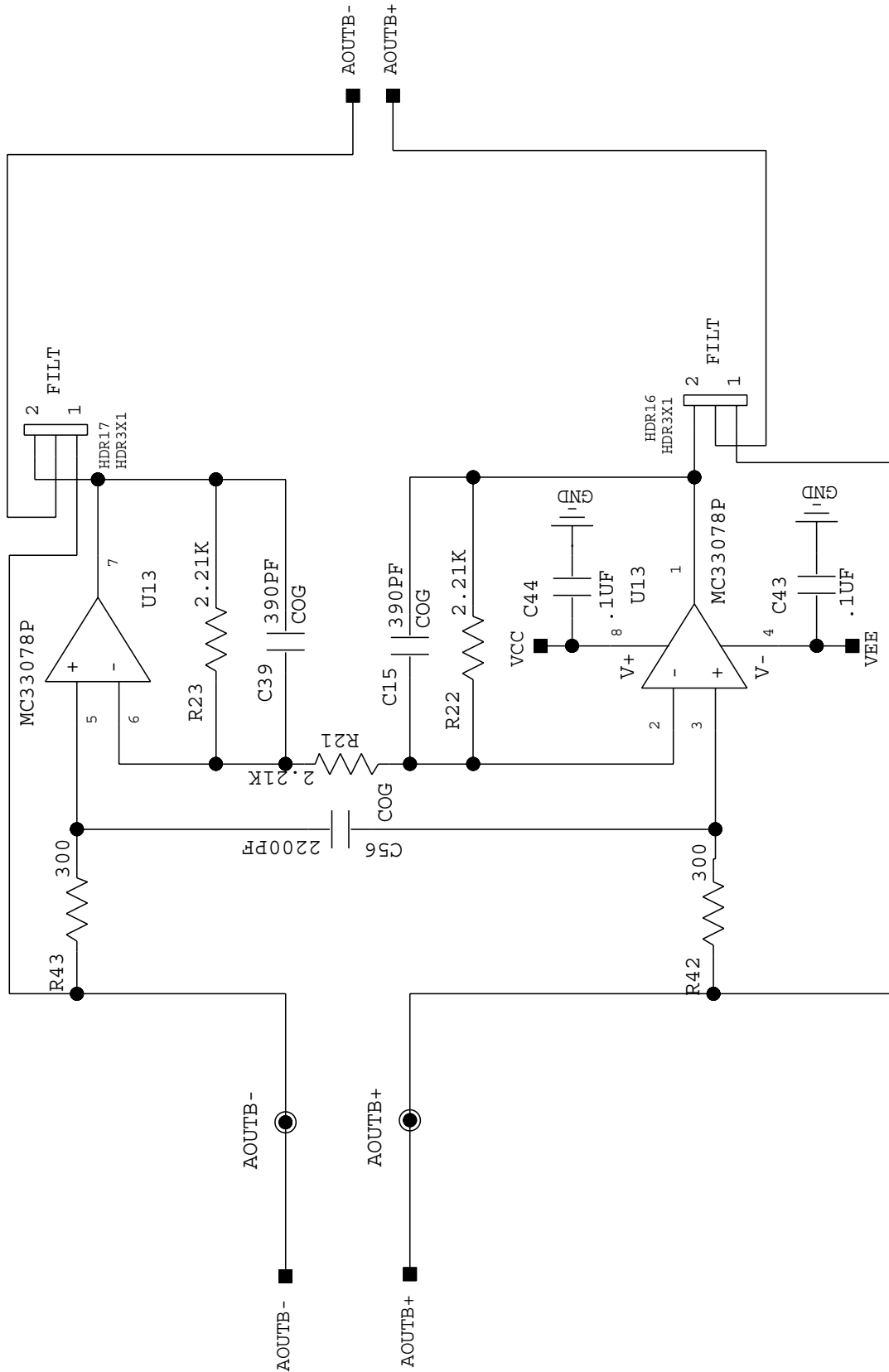


Figure 4. Channel B Selectable Instrumentation Amplifier

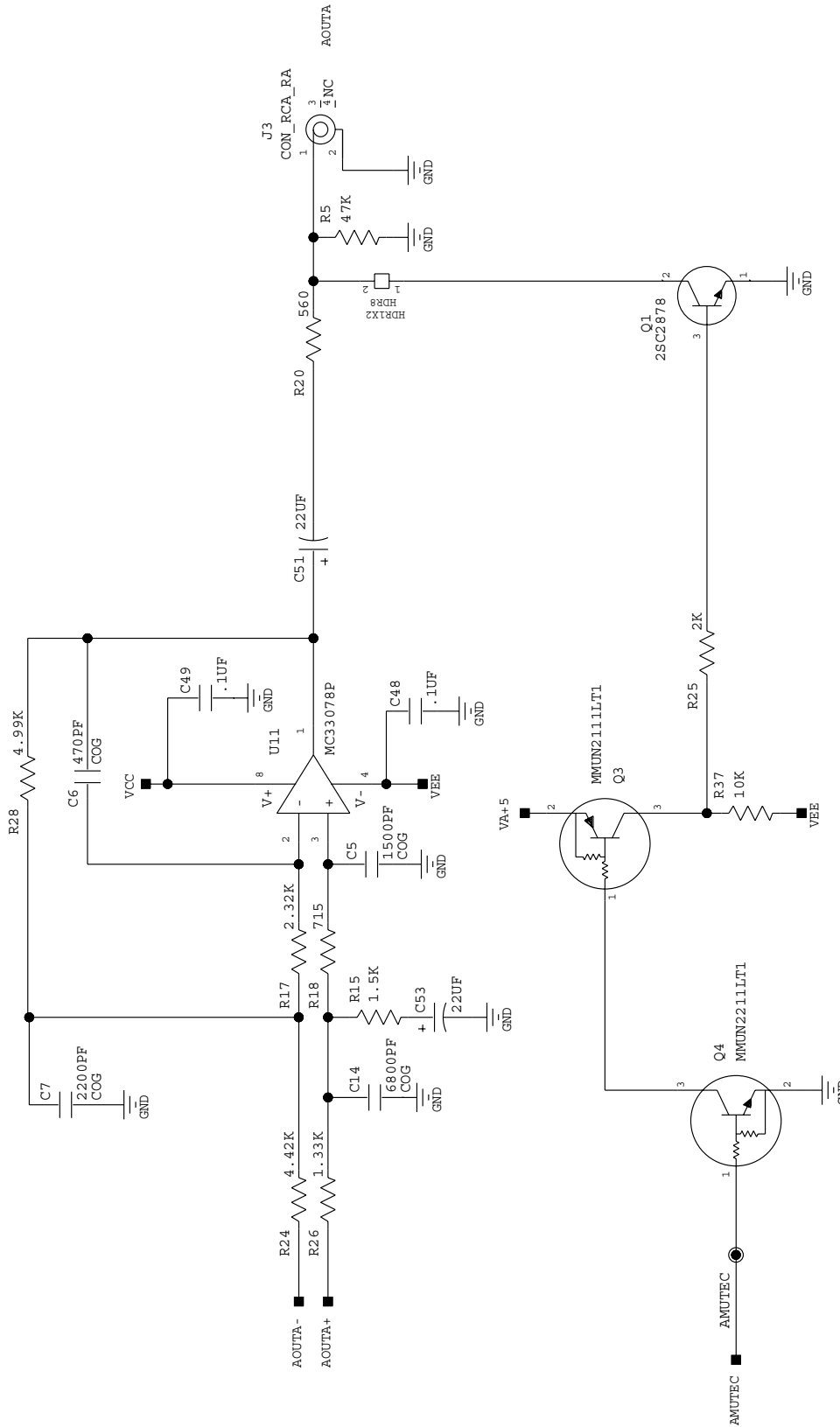


Figure 5. Channel A Audio Output and Mute Circuit

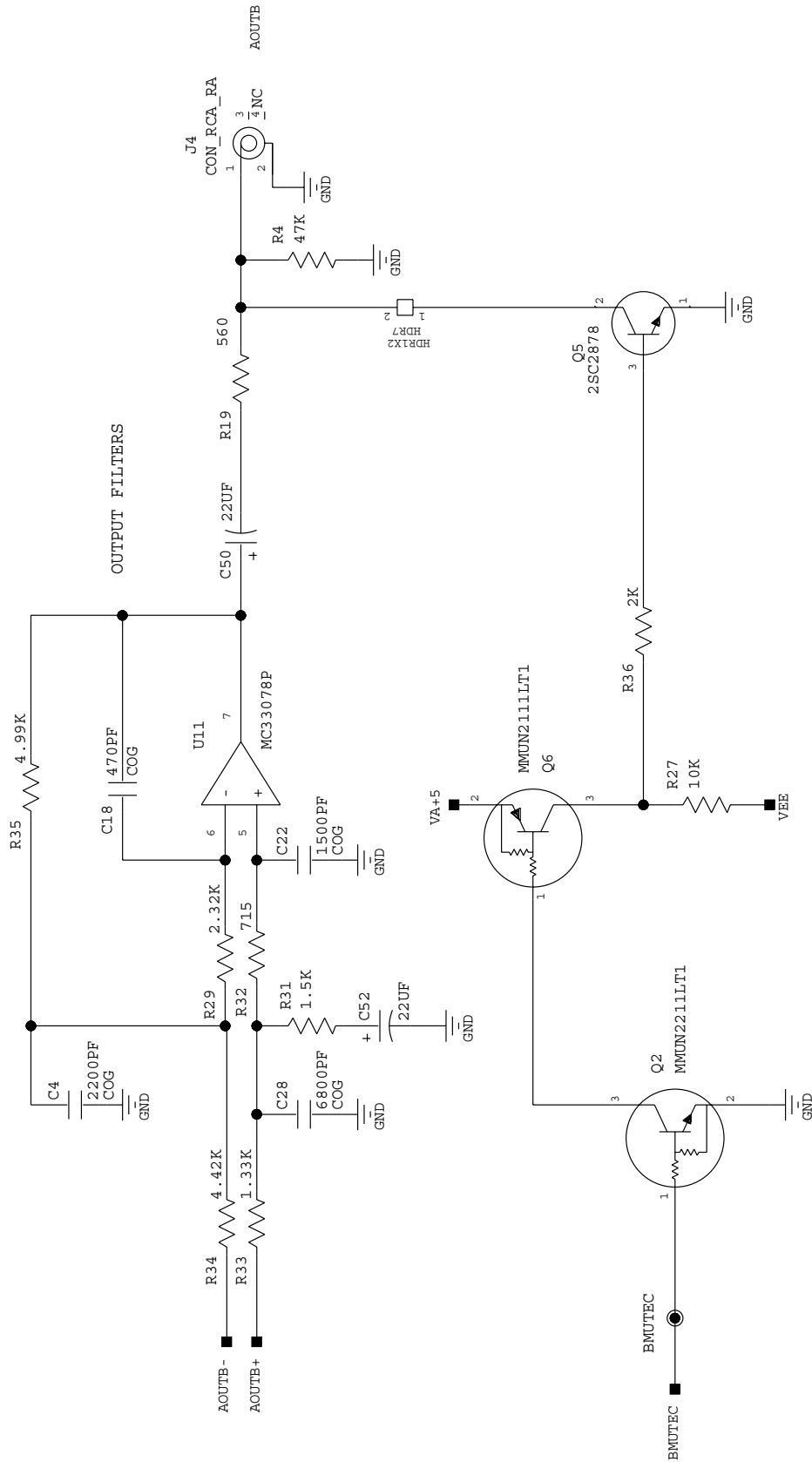


Figure 6. Channel B Audio Output and Mute Circuit

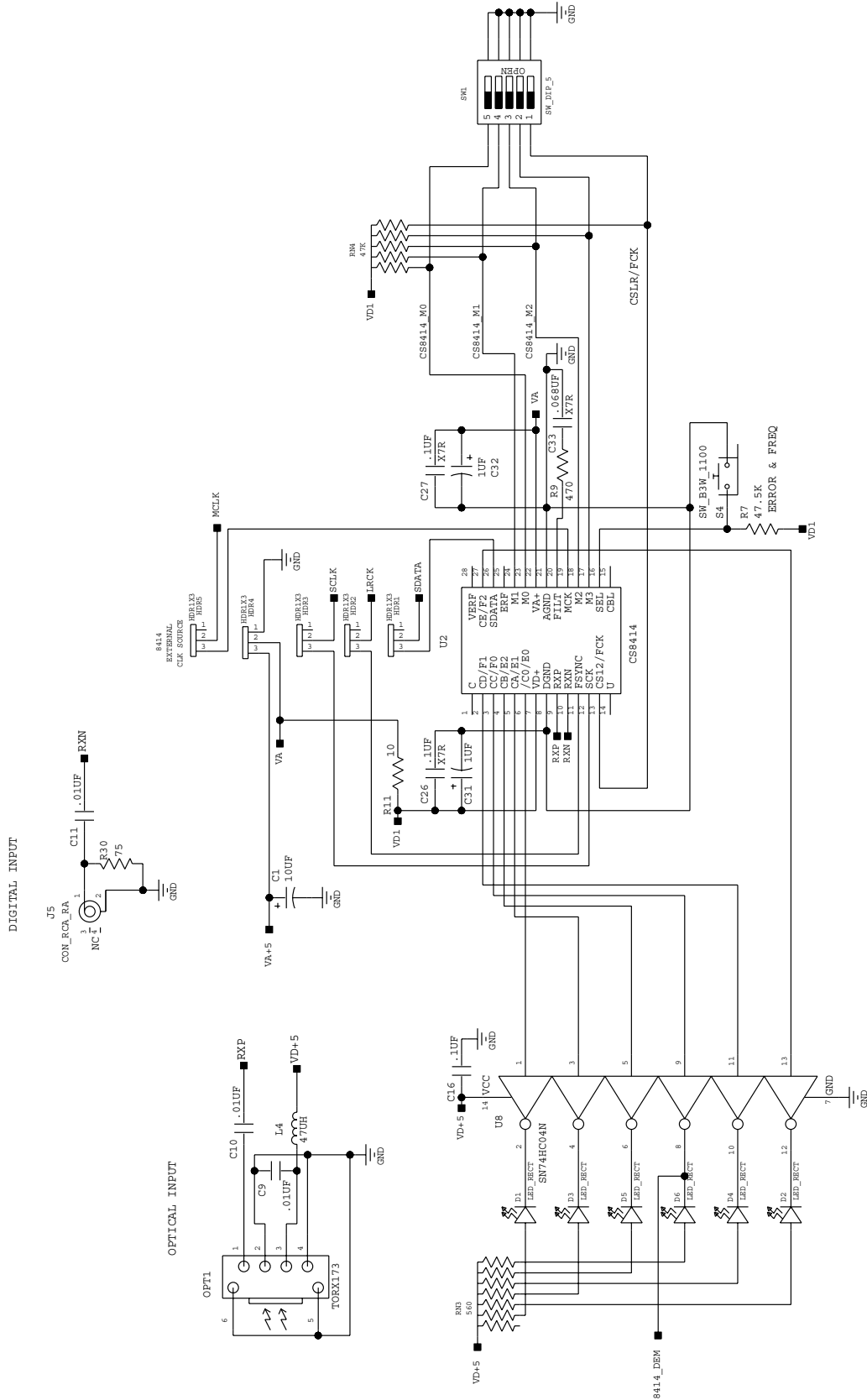


Figure 7. CS8414 Digital Audio Receiver

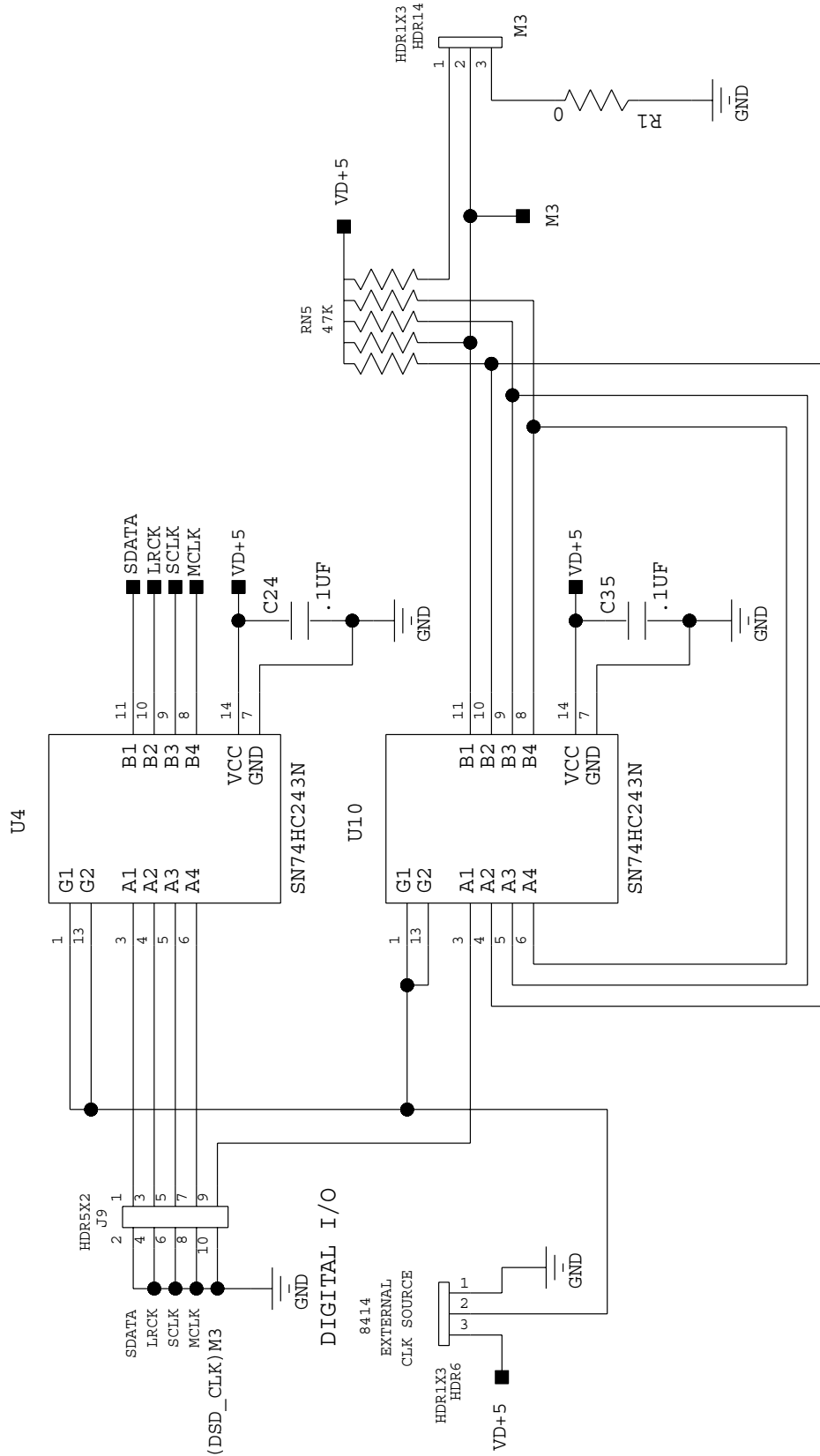


Figure 8. I/O for Clocks and Data

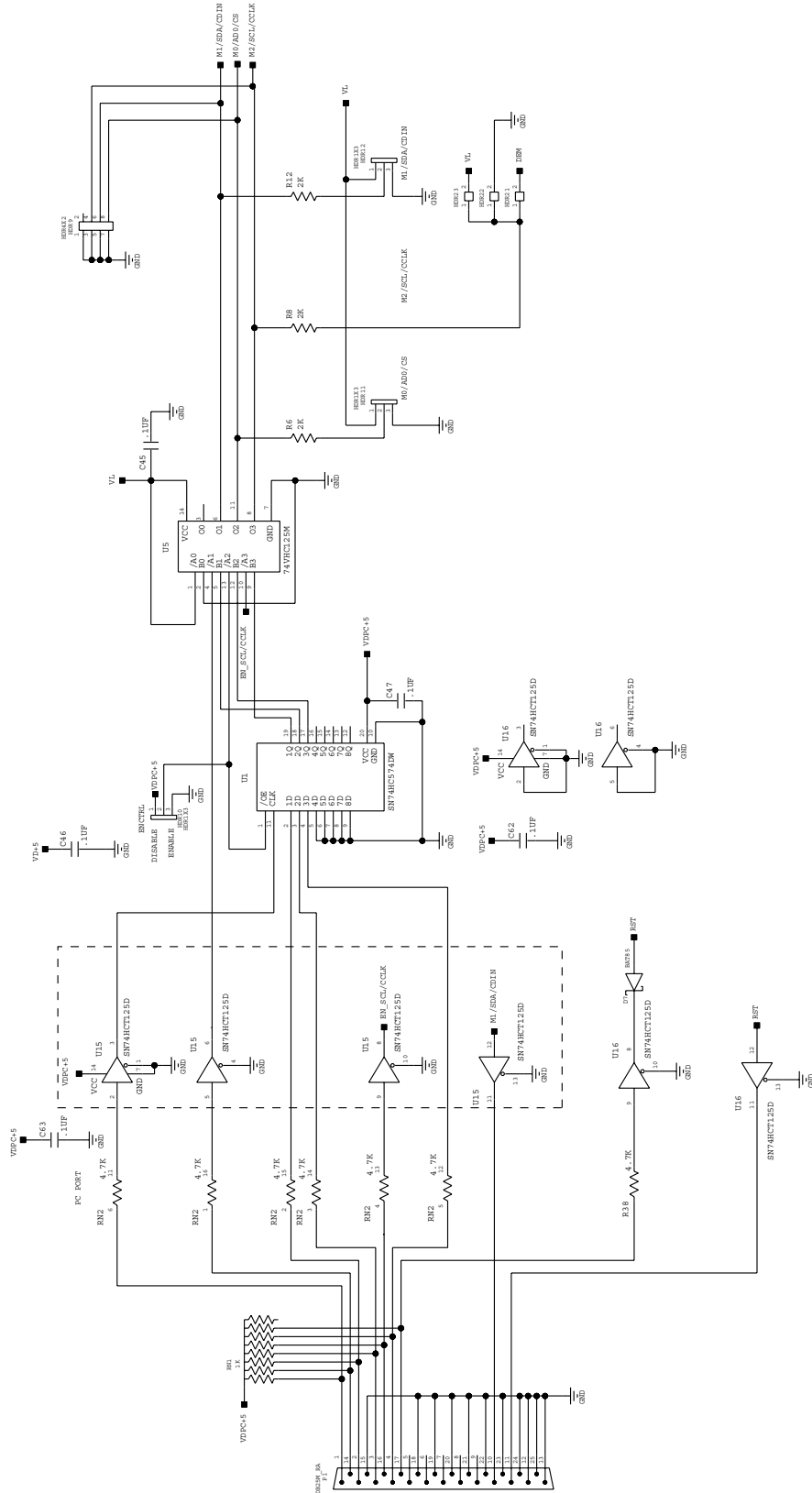


Figure 9. Control Port Interface

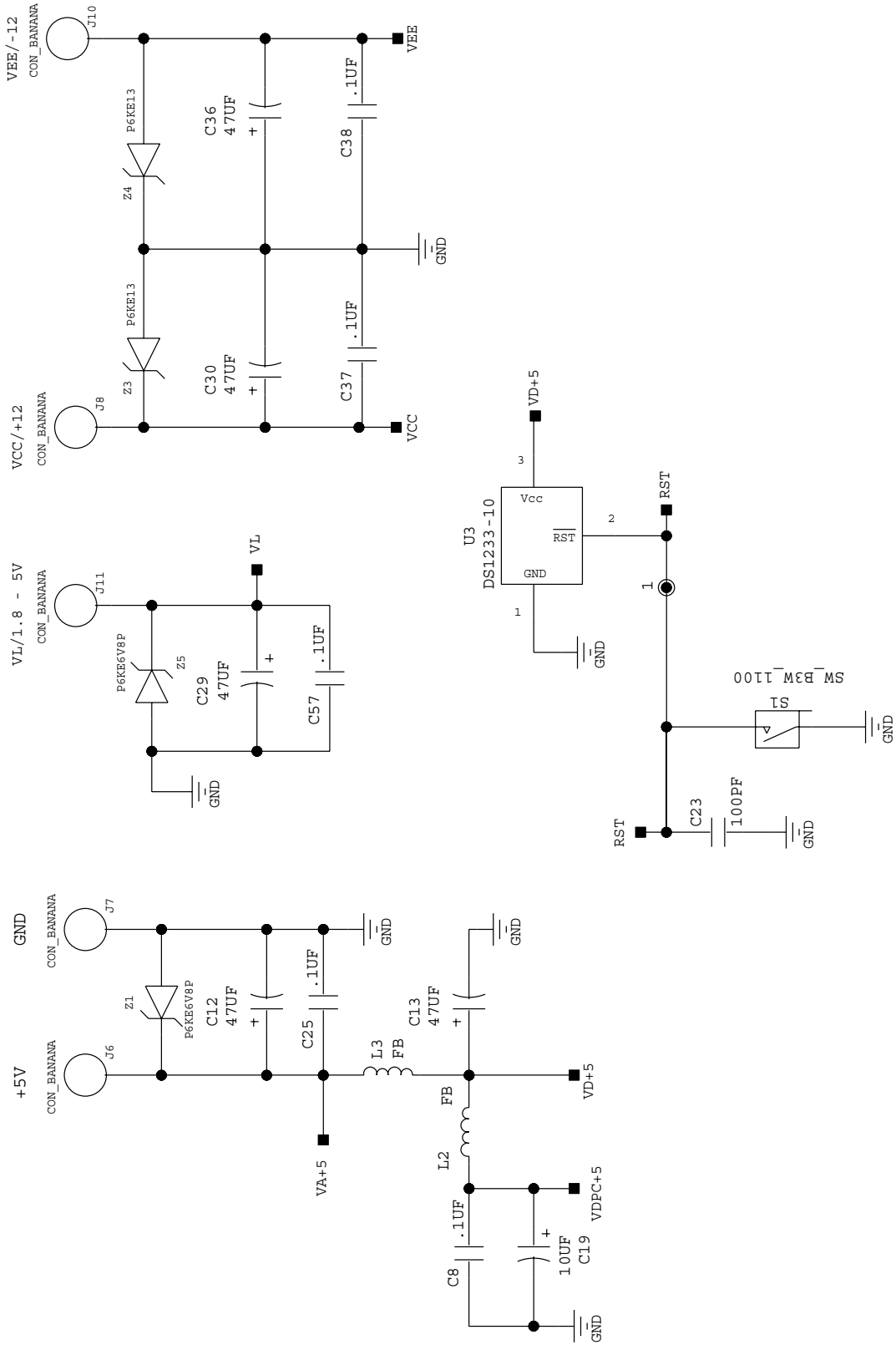
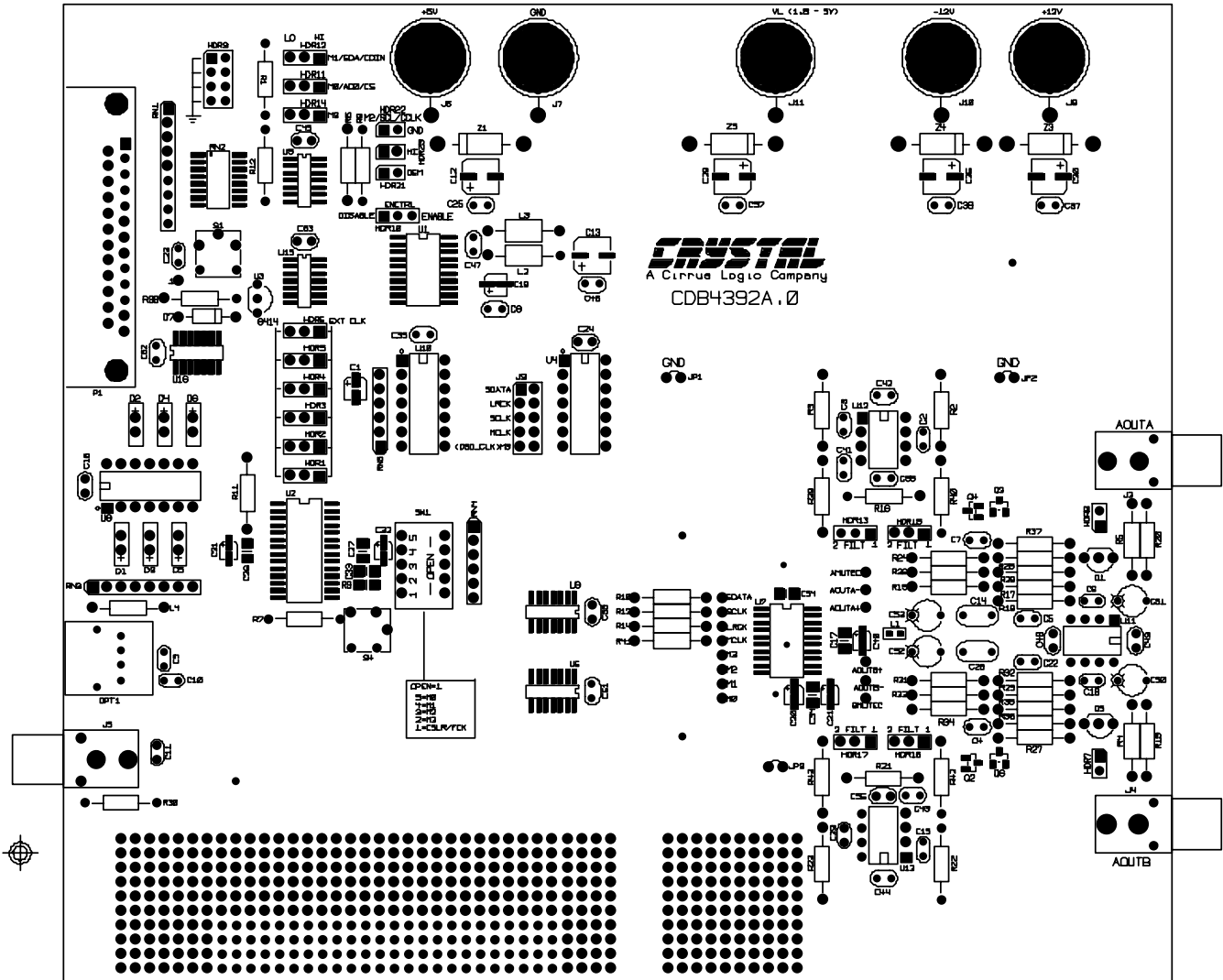


Figure 10. Power Supply and Reset Circuitry

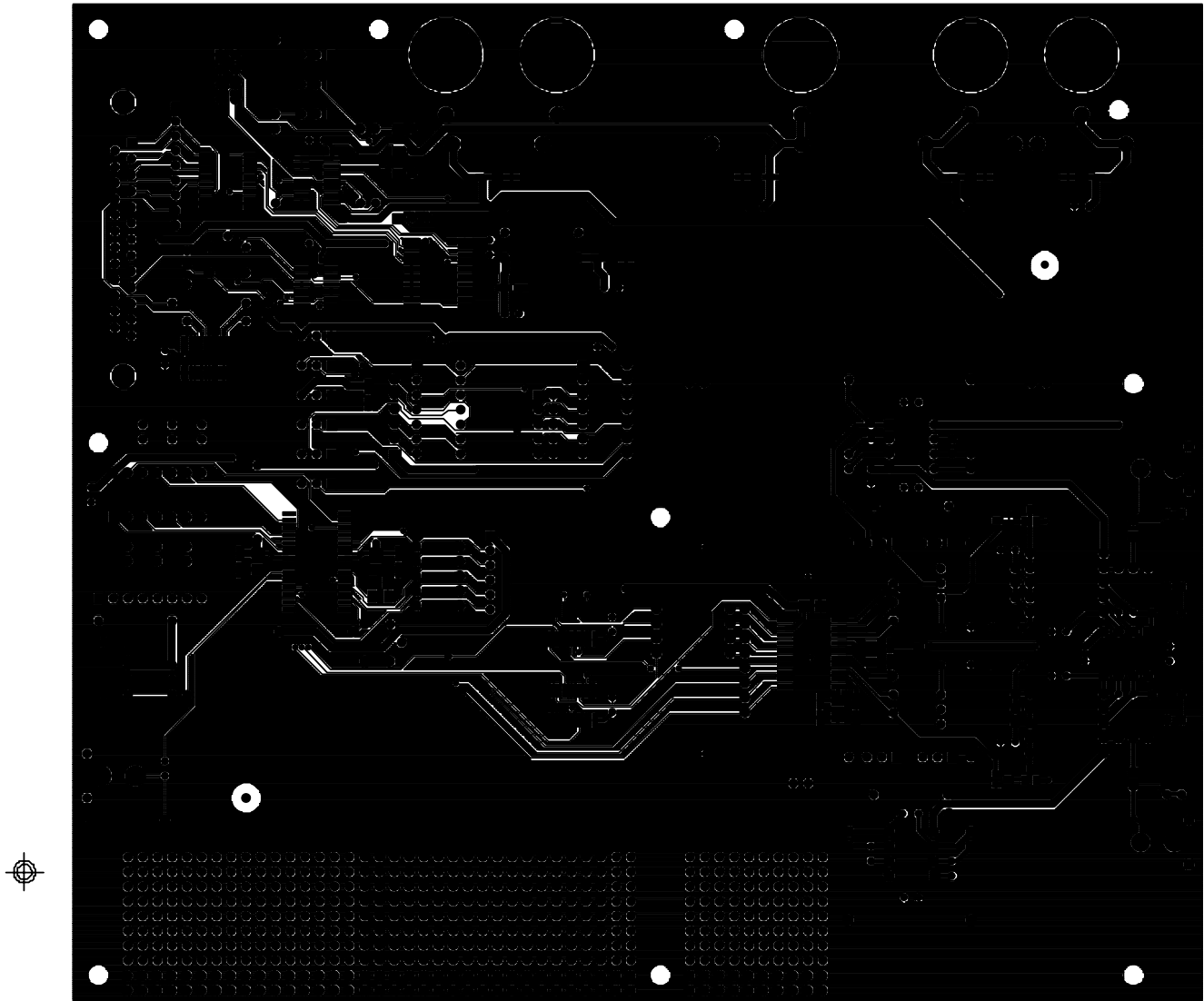
CRYSTAL SEMICONDUCTOR
CS4392 Customer Demonstration Bd
CDB4392A.Ø



SILKSCREEN - TOP

Figure 11. Silkscreen Top

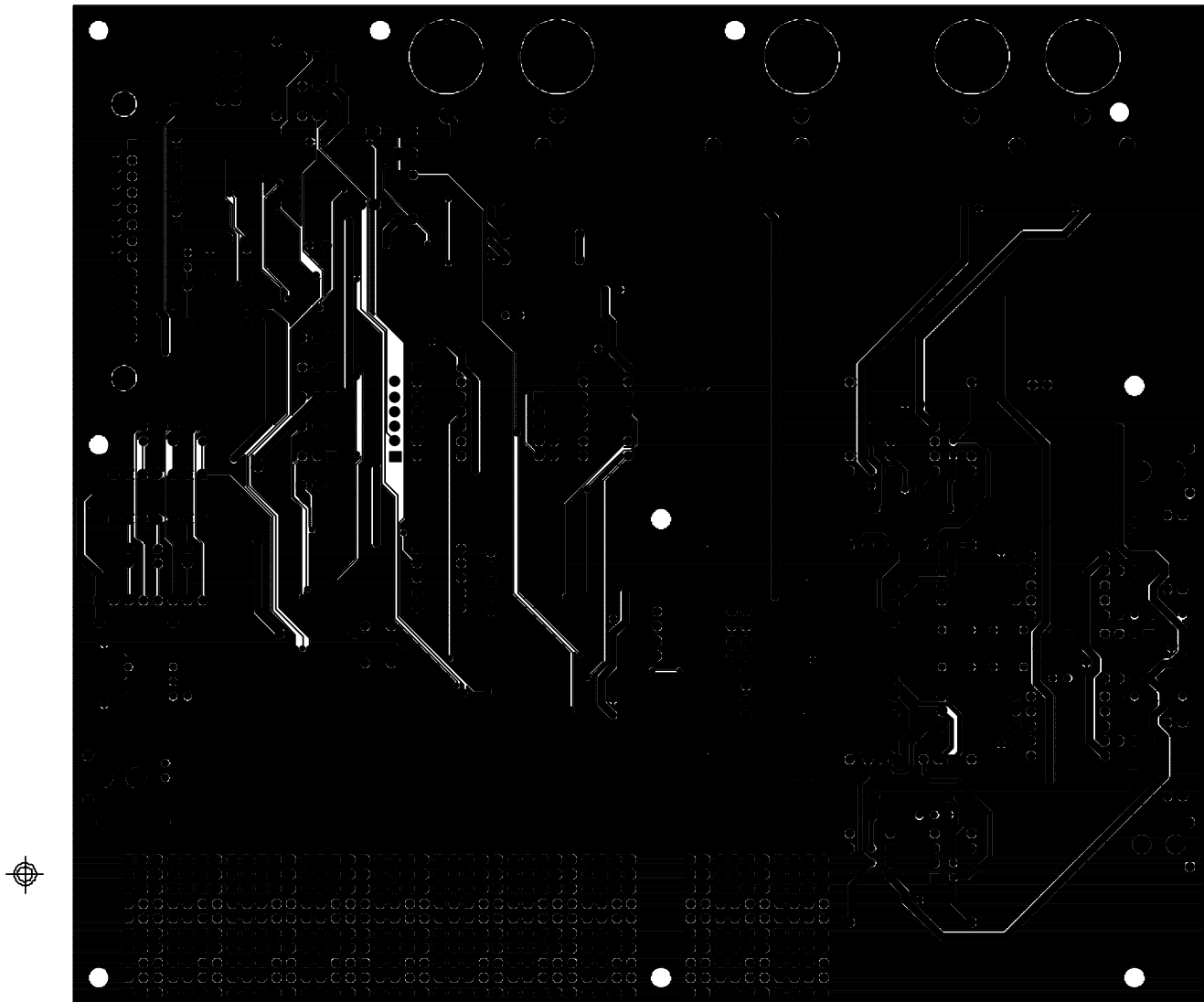
CRYSTAL SEMICONDUCTOR
CS4392 Customer Demonstration Bd
CDB4392A.0



TOP SIDE

Figure 12. Top Side

CRYSTAL SEMICONDUCTOR
CS4392 Customer Demonstration Bd
CDB4392A.Ø



BOTTOM SIDE

Figure 13. Bottom Side

• **Notes** •

SMART
Analog™