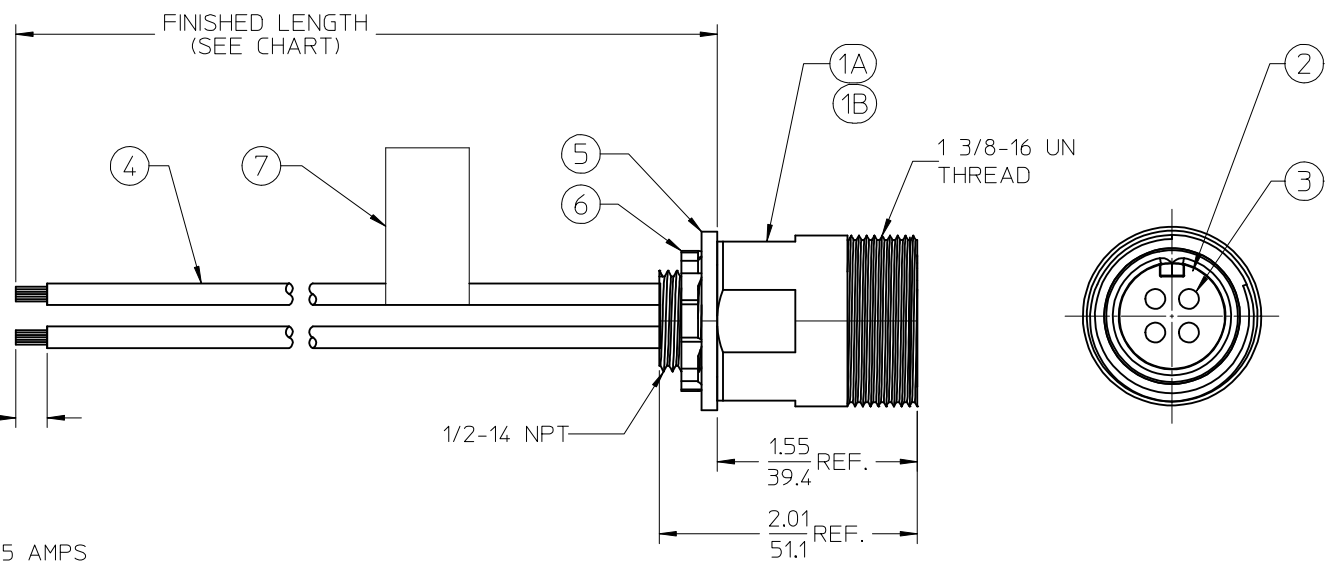


MALE FACE VIEW

1-BLACK 2-WHITE	1-BLACK 2-WHITE 3-GREEN	1-BLACK 2-GREEN 3-RED 4-WHITE

POLES	MATERIAL NO.	ENGINEERING NO.	FINISHED LENGTH
2	1300030008	32017	12.00 +.75-0 (305mm +19mm-0)
3	1300030023	32317	12.00 +.75-0 (305mm +19mm-0)
4	1300030048	32632	12.00 +.75-0 (305mm +19mm-0)



- NOTES:
1. MATERIAL: SEE TABLE
  2. FINISHES: SEE TABLE
  3. ELECTRICAL SPECIFICATIONS  
VOLTAGE RATING: 600V AC/DC  
CURRENT RATING: 2P-18 AMPS, 3P-18 AMPS, 4P-15 AMPS
  4. XX REFERS TO POLE COUNT
  5. PROTECTION: IP67
  6. ASSEMBLY IS RoHS COMPLIANT BY EXEMPTION

ITEM	QTY.	DESCRIPTION	MATERIAL	FINISH
7	1	FLAG LABEL	VINYL	BLACK/YELLOW
6	1	LOCKNUT	STEEL	ZINC PLATED
5	1	GASKET	NEOPRENE	BLACK
4	XX	WIRE, 14 AWG, UL 1015	PVC INSULATION	SEE FACE VIEW
3	XX	CONTACT PIN	Cu ALLOY	UN-PLATED
2	1	INSERT	RUBBER	YELLOW
1B	1	RECEPTACLE SHELL	OPT: ALUMINUM	CLEAR ANODIZE
1A	1	RECEPTACLE SHELL	NYLON	BLACK

UPDATED RECEPT SHELL  
 EC NO: IPG2016-0945  
 /DRAWINGGUSTAFSON 2015/12/29  
 CHKD:YOU 2016/05/16  
 APPR:BMOODMAN 2016/05/27

QUALITY SYMBOLS  
 ▼=0  
 ▽=0

DESCRIPTION  
 B

GENERAL TOLERANCES (UNLESS SPECIFIED)

	mm	INCH
4 PLACES	± .005	± .0005
3 PLACES	± .010	± .0010
2 PLACES	± .015	± .0015
1 PLACE	± .025	± .0025
0 PLACE	± .050	± .0050

ANGULAR ± 2°  
 DRAFT WHERE APPLICABLE  
 MUST REMAIN WITHIN DIMENSIONS

DIMENSION STYLE  
 IN/MM

DRAWN BY DATE  
 RSTONE 2012/11/28

CHECKED BY DATE  
 K. JOZWIK 2013/01/16

APPROVED BY DATE  
 JFMURPHY 2013/03/01

MATERIAL NO.  
 SEE CHART

SIZE  
 B

SCALE 1:1 DESIGN UNITS INCH

THIRD ANGLE PROJECTION

TITLE  
**QUICK CHANGE RECEPTACLE MALE 2-3 POLE, 14 AWG**

**molex**

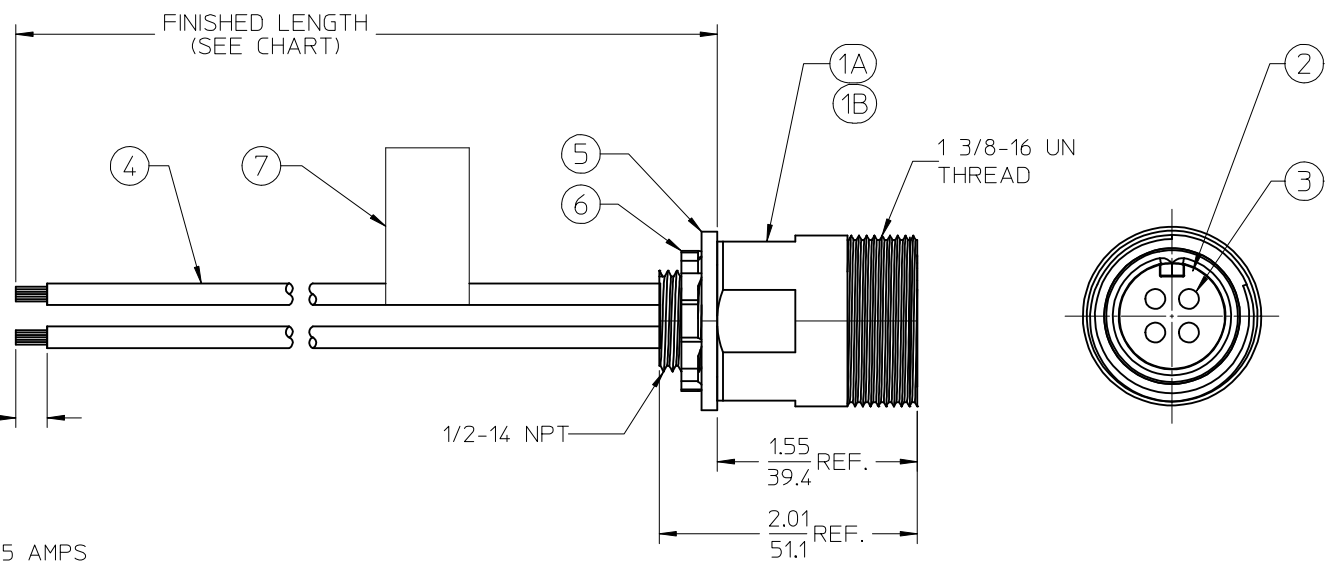
DOCUMENT NO. SD-130003-003 SHEET NO. 1 OF 1

THIS DRAWING CONTAINS INFORMATION THAT IS PROPRIETARY TO MOLEX INCORPORATED AND SHOULD NOT BE USED WITHOUT WRITTEN PERMISSION

MALE FACE VIEW

1-BLACK 2-WHITE	1-BLACK 2-WHITE 3-GREEN	1-BLACK 2-GREEN 3-RED 4-WHITE

POLES	MATERIAL NO.	ENGINEERING NO.	FINISHED LENGTH
2	1300030008	32017	12.00 +.75-0 (305mm +19mm-0)
3	1300030023	32317	12.00 +.75-0 (305mm +19mm-0)
4	1300030048	32632	12.00 +.75-0 (305mm +19mm-0)



- NOTES:
1. MATERIAL: SEE TABLE
  2. FINISHES: SEE TABLE
  3. ELECTRICAL SPECIFICATIONS  
VOLTAGE RATING: 600V AC/DC  
CURRENT RATING: 2P-18 AMPS, 3P-18 AMPS, 4P-15 AMPS
  4. XX REFERS TO POLE COUNT
  5. PROTECTION: IP67
  6. ASSEMBLY IS RoHS COMPLIANT BY EXEMPTION

7	1	FLAG LABEL	VINYL	BLACK/YELLOW
6	1	LOCKNUT	STEEL	ZINC PLATED
5	1	GASKET	NEOPRENE	BLACK
4	XX	WIRE, 14 AWG, UL 1015	PVC INSULATION	SEE FACE VIEW
3	XX	CONTACT PIN	Cu ALLOY	UN-PLATED
2	1	INSERT	RUBBER	YELLOW
1B	1	RECEPTACLE SHELL	OPT: ALUMINUM	CLEAR ANODIZE
1A	1	RECEPTACLE SHELL	NYLON	BLACK
ITEM	QTY.	DESCRIPTION	MATERIAL	FINISH

UPDATED RECEPT SHELL  
 EC NO: IPG2016-0945  
 /DRAWINGGUSTAFSON 2015/12/29  
 CHKD:YOU 2016/05/16  
 APPR:BMOODMAN 2016/05/27

QUALITY SYMBOLS  
 ▼=0  
 ▽=0

DESCRIPTION  
 B

GENERAL TOLERANCES (UNLESS SPECIFIED)

	mm	INCH
4 PLACES	± .005	± .0005
3 PLACES	± .010	± .0010
2 PLACES	± .015	± .0015
1 PLACE	± .025	± .0025
0 PLACE	± .030	± .0030

ANGULAR ± 2°  
 DRAFT WHERE APPLICABLE  
 MUST REMAIN WITHIN DIMENSIONS

DIMENSION STYLE  
 IN/MM

DRAWN BY DATE  
 RSTONE 2012/11/28

CHECKED BY DATE  
 K. JOZWIK 2013/01/16

APPROVED BY DATE  
 JFMURPHY 2013/03/01

MATERIAL NO.  
 SEE CHART

SIZE  
 B

SCALE 1:1 DESIGN UNITS INCH

THIRD ANGLE PROJECTION

TITLE  
**QUICK CHANGE RECEPTACLE MALE 2-3 POLE, 14 AWG**

**molex**

DOCUMENT NO. SD-130003-003 SHEET NO. 1 OF 1

THIS DRAWING CONTAINS INFORMATION THAT IS PROPRIETARY TO MOLEX INCORPORATED AND SHOULD NOT BE USED WITHOUT WRITTEN PERMISSION