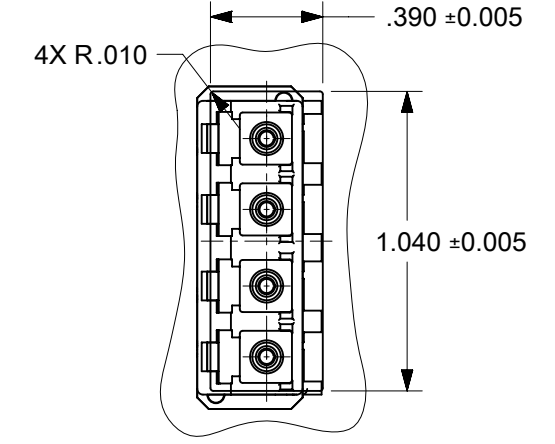
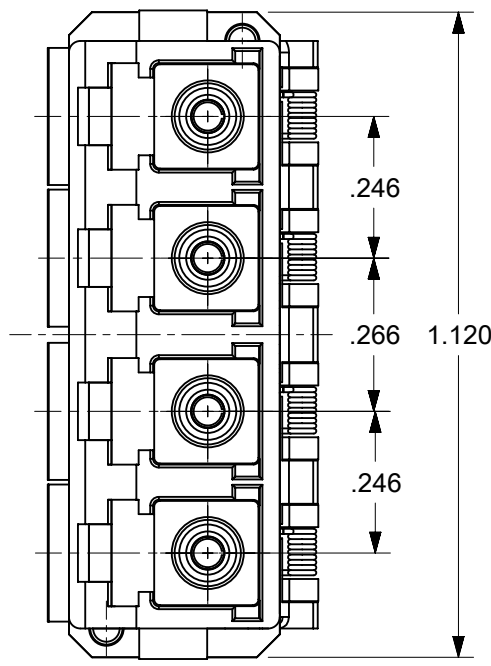
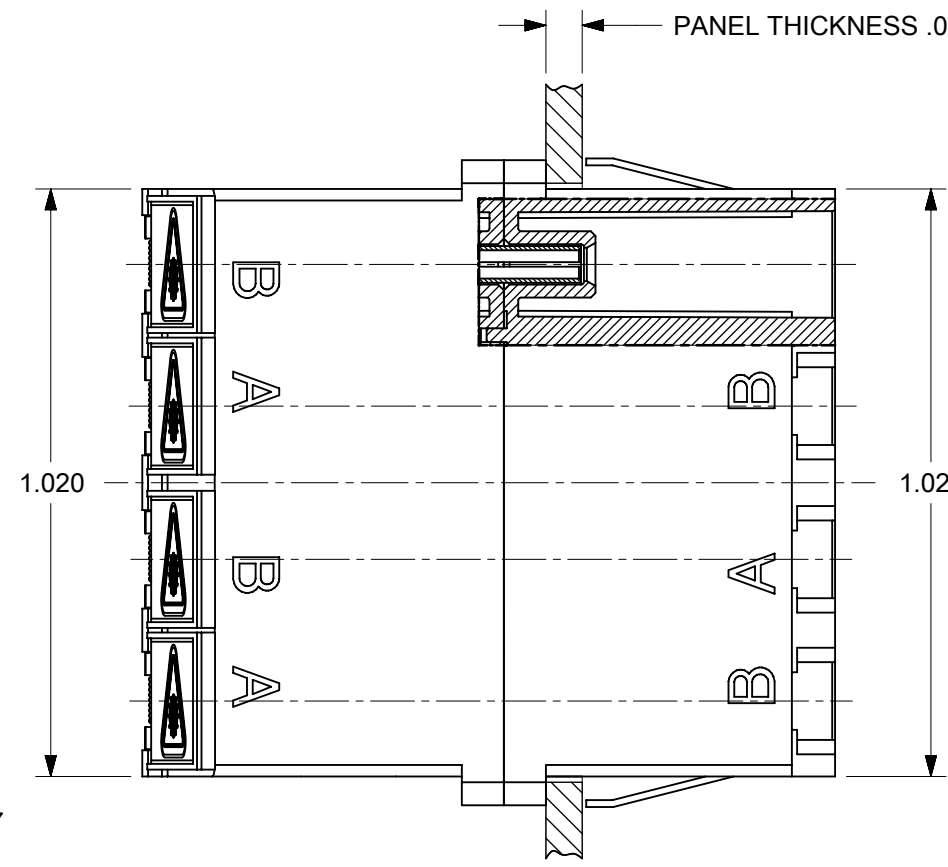
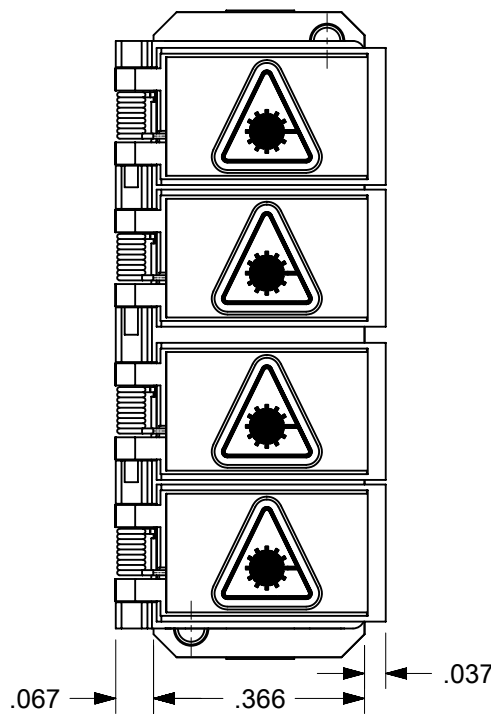
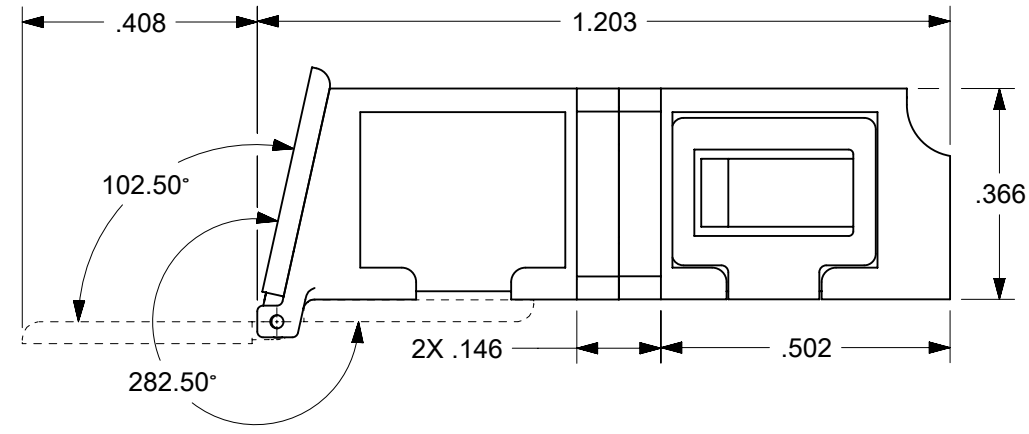
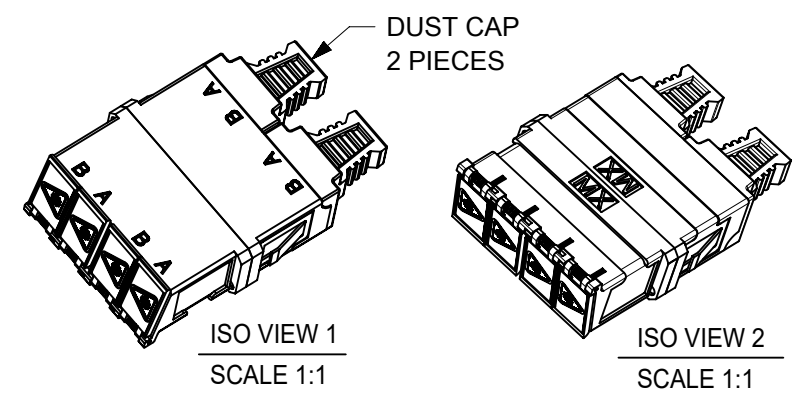


LC QUAD ADAPTER P/N	LC QUAD ADAPTER COLOR	SPLIT SLEEVE MATERIAL
106123-0400	BLUE	ZR
106123-1400	BEIGE	ZR
106126-2400	GREEN	ZR
106123-3400	AQUA	ZR



RECOMMENDED MOUNTING PATTERN  
SCALE 1.5:1



- NOTES:
1. ALL DIMENSIONS ARE FOR REFERENCE
  2. DUST CAPS NOT SHOWN ON FRONT, BOTTOM AND RIGHT VIEW.
  3. LC QUAD ADAPTER HAS SC DUPLEX ADAPTER FOOTPRINT.

FUNCTIONAL SYMBOLS $\nabla_A = 0$ $\nabla_B = 0$ $\nabla_C = 0$	THIS DRAWING CONTAINS INFORMATION THAT IS PROPRIETARY TO MOLEX ELECTRONIC TECHNOLOGIES, LLC AND SHOULD NOT BE USED WITHOUT WRITTEN PERMISSION	CURRENT REV DESC:						
	DIMENSION UNITS: INCH	SCALE: 3:1	EC NO: 689237					
	GENERAL TOLERANCES (UNLESS SPECIFIED)	4 PLACES ±		DRWN: JHUANG18	2021/12/10	LC QUAD ADAPTER WITH SHUTTERS SMALL FLANGE, SNAP MOUNT		
	ANGULAR TOL ± °	3 PLACES ±		CHKD: IGUMIN	2021/12/21			
DIVISIONAL SYMBOLS	2 PLACES ±		APPR: IGUMIN	2021/12/21	PRODUCT CUSTOMER DRAWING			
1 PLACE ±		INITIAL REVISION:		DOCUMENT NUMBER	DOC TYPE	DOC PART	REVISION	
0 PLACES ±		DRWN: PGIBLIN		2005/12/06	SD-106123-X400	PSD	001	B
DRAFT WHERE APPLICABLE MUST REMAIN WITHIN DIMENSIONS		THIRD ANGLE PROJECTION	DRAWING	SERIES	MATERIAL NUMBER	CUSTOMER	SHEET NUMBER	
			B-SIZE	106123	SEE TABLE	GENERAL MARKET	1 OF 1	

DOCUMENT STATUS	P1	RELEASE DATE	2021/12/21	03:27:42
-----------------	----	--------------	------------	----------