



### Features

- Excellent common-mode rejection ratio (CMRR)
- Application circuits can meet isolation requirements of worldwide telephony standards
- Small 8-pin SOIC
- Worldwide telephone network compatibility
- Full-wave ringing level detector comparator with internal threshold, large hysteresis, and logic-level output
- 3.3V or 5V operation
- High differential input impedance
- Very low common-mode input impedance
- Fixed gain
- Differential or single-ended linear output
- TTL logic level input
- CMOS logic level output (TTL compatible)
- Virtually non-detectable in voice monitoring applications

### Applications

- The CPC5710N can be used for line monitoring or detection of signaling states and loop conditions such as:
  - Display feature (caller ID) signal buffering
  - Line-In-Use (LIU) detection
  - Ringing signal with adjustable detection level
  - Battery presence monitoring
  - Tip to ring line voltage monitoring
  - Line polarity
  - Imperceptible voice recording

### Description

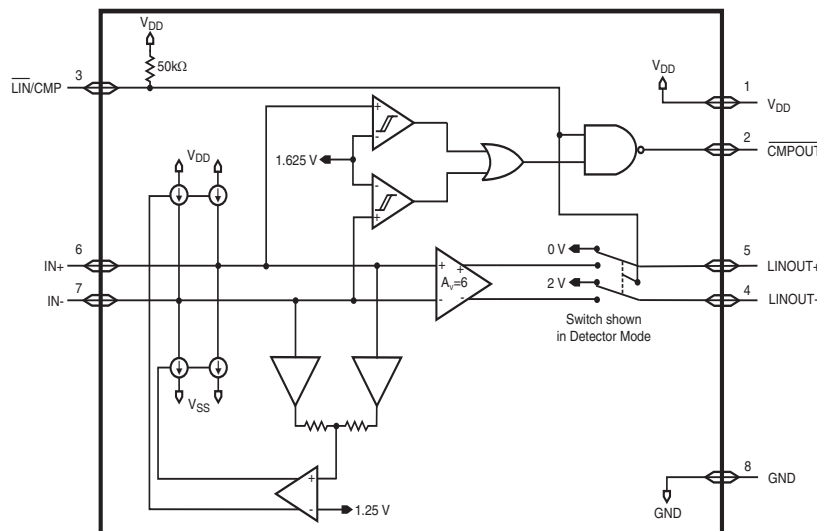
The CPC5710N is a selectable dual function CMOS special purpose integrated high-impedance input, fixed-gain amplifier and an internally set voltage level comparator for telephone line monitoring. The high (>40dB) common-mode rejection ratio makes the CPC5710N an excellent choice for signaling detection, line condition monitoring, discrete voice recording and CID buffering applications. In addition to voice applications, the CPC5710N is ideal for data applications such as embedded modem designs utilized in broadband set-top boxes.

### Ordering Information

Part Number	Description
CPC5710N	PLM IC, Tubed, 100/Tube
CPC5710NTR	PLM IC, Tape & Reel, 2000/Reel



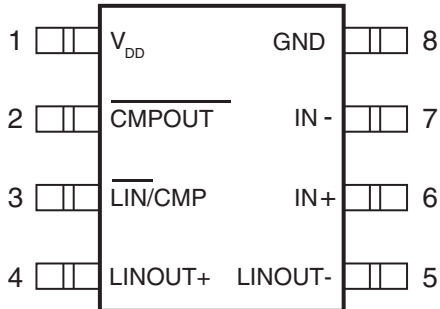
### CPC5710N Block Diagram



<b>1. Specifications</b> .....	<b>3</b>
1.1 Package Pinout .....	3
1.2 Pin Description .....	3
1.3 Absolute Maximum Ratings .....	3
1.4 Recommended Operating Environment .....	3
1.5 Electrical Characteristics .....	4
1.5.1 AC Characteristics .....	4
1.5.2 Detector Threshold Characteristics .....	4
1.5.3 $\overline{\text{LIN}}/\text{CMP}$ Input Characteristics .....	4
1.5.4 Power Characteristics .....	4
<b>2. Using CPC5710N</b> .....	<b>5</b>
2.1 $\overline{\text{LIN}}/\text{CMP}$ Input .....	5
2.2 Amplifier Design Considerations .....	5
2.2.1 Linear Amplifier Gain .....	5
2.3 Detector Considerations .....	5
2.3.1 Ringing Signal Detection .....	5
2.3.2 Setting Ringing Detection Threshold .....	5
2.4 Power Quality .....	6
<b>3. Applications</b> .....	<b>7</b>
3.1 Line-In-Use (LIU) and Line Polarity Detector .....	7
3.2 Non-Intrusive Line Monitoring, Display Feature (Caller ID) Signal Reception, and Ringing Detection Application .....	8
3.2.1 Frequency Response .....	8
3.3 Regulatory Issues .....	8
<b>4. Manufacturing Information</b> .....	<b>9</b>
4.1 Moisture Sensitivity .....	9
4.2 ESD Sensitivity .....	9
4.3 Reflow Profile .....	9
4.4 Board Wash .....	9
4.5 Mechanical Dimensions .....	10
4.5.1 CPC5710N 8-Pin SOIC Package .....	10
4.5.2 CPC5710NTR Tape and Reel Specifications .....	10

## 1. Specifications

### 1.1 Package Pinout



### 1.2 Pin Description

Pin	Name	Description
1	V <sub>DD</sub>	Power supply
2	CMPOUT	Detector output
3	LIN/CMP	Comparator Enable - disables linear amplifier outputs.
4	LINOUT-	Linear amplifier inverting output
5	LINOUT+	Linear amplifier non-inverting output
6	IN+	Non-inverting differential input
7	IN-	Inverting differential input
8	GND	Ground

### 1.3 Absolute Maximum Ratings

Parameter	Minimum	Maximum	Unit
V <sub>DD</sub>	-0.3	6	V
Storage temperature	-40	+125	°C
Total package power dissipation		300	mW
Logic input voltage	-0.3	V <sub>DD</sub> + 0.3	V

*Absolute maximum ratings are stress ratings. Stresses in excess of these ratings can cause permanent damage to the device. Functional operation of the device at conditions beyond those indicated in the operational sections of this data sheet is not implied.*

### 1.4 Recommended Operating Environment

Parameter	Conditions	Minimum	Typical	Maximum	Unit
Temperature		-40	-	+85	°C
Humidity	Non-condensing	5	-	95	%

## 1.5 Electrical Characteristics

Unless otherwise specified, minimum and maximum values are guaranteed by production testing requirements. Typical values, the result of engineering evaluations, are characteristic of the device and are

provided for informational purposes only. They are not however, a part of the production testing requirements. Unless otherwise indicated:  
 $V_{DD} = 5V$ , Temperature = 25°C

### 1.5.1 AC Characteristics

Parameter	Symbol	Conditions	Minimum	Typical	Maximum	Unit
Input Impedance	$Z_{IN}$		10	-	-	MΩ
Input offset voltage	$V_{IO}$		-	-	40	mV
Input offset current	$I_{IO}$	$I_{CM} = 0$ , No common-mode signal applied.	-	-	35	nA
		$I_{CM} = 12\mu A$ (per lead) signal applied.	-	-	125	nA
Output DC bias level	$V_{OUT\_DC}$	At LINOUT+ or LINOUT-, $I_O = 0.5mA$	0.9	1.0	1.1	V
Output Low Voltage	$V_{OUT}$	$I_O = 0.5mA$	-	-	50	mV
Gain	$A_V$	0 to 20kHz	5.88	6	6.12	-
Common-mode rejection ratio	CMRR	Common-mode current $\leq 12\mu A$ per lead, 0 to 120Hz	40	-	-	dB
Equivalent input noise voltage	$V_N$		-	-90	-	dBm/Hz

### 1.5.2 Detector Threshold Characteristics

Parameter	Symbol	Conditions	Minimum	Typical	Maximum	Unit
Detection threshold	$V_{IN\_DET}$	$I_{CM} = 0$	675	750	850	mV
		$I_{CM} = \pm 12\mu A$	488	750	1012	mV
Detector hysteresis	$V_{IN\_HYST}$	$I_{CM} = 0$	300	375	450	mV

### 1.5.3 LIN/CMP Input Characteristics

Parameter	Symbol	Conditions	Minimum	Typical	Maximum	Unit
Input low voltage	$V_{IL}$		-	-	0.8	V
Input high voltage	$V_{IH}$		2.0	-	-	V
Input low leakage current	$I_{IL}$	$V_{IL} = 0.4V$	-	-	-120	$\mu A$
Input high leakage current	$I_{IH}$	$V_{IH} = 2.4V$	-	-	-120	$\mu A$

### 1.5.4 Power Characteristics

Parameter	Symbol	Conditions	Minimum	Typical	Maximum	Unit
Supply voltage	$V_{DD}$		3.0	-	5.5	V
Supply current	$I_{DD}$	All inputs and outputs open	-	-	10	mA

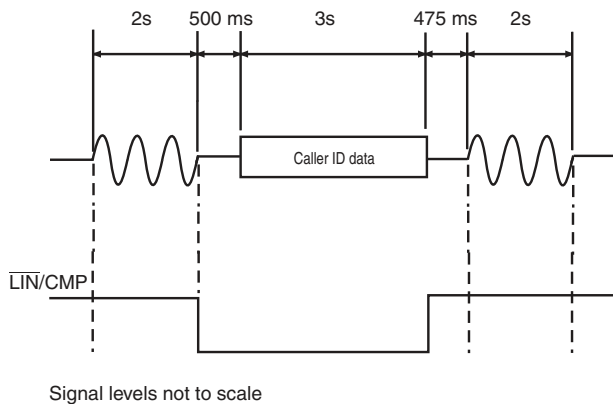
## 2. Using CPC5710N

### 2.1 LIN/CMP Input

The LIN/CMP input selects the active output, either the detector output  $\overline{\text{CMPOUT}}$  or the linear outputs, LINOUT- and LINOUT+. Set LIN/CMP low for linear output and high for comparator output. Note that both outputs cannot be used at once.

With LIN/CMP at logic low (LIN/CMP = 0), the amplifier outputs are biased at a nominal  $1V_{DC}$  and  $\overline{\text{CMPOUT}}$  is held high. With LIN/CMP at logic high (LIN/CMP = 1), LINOUT+ is 0V and LINOUT- is 2V.

Figure 1. LIN/CMP Timing for Caller-ID Signal Reception



### 2.2 Amplifier Design Considerations

Amplifier inputs are biased at a nominal  $1.25V_{DC}$ , the internal voltage reference. The internal common-mode circuitry maintains the average of the inputs at  $1.25V_{DC}$ . For example, if one input reaches 1.3V, the common-mode circuit drives the other input to 1.2V.

#### 2.2.1 Linear Amplifier Gain

Display feature information (caller ID) and voice signals are coupled through the linear amplifier. In North America, CID data signals are typically sent between the first and second ringing signal burst.

Referring to **Figure 5.**, signal gain from tip and ring to LINOUT+ and LINOUT- is determined by:

$$GAIN_{CID}(dB) = 20\log \left[ \frac{6R_{SNPD}}{\sqrt{(4R_{SNP} + R_{SNPD})^2 + \frac{1}{(\pi f C_{SNP})^2}}} \right]$$

where  $f$  is the frequency of the signal.

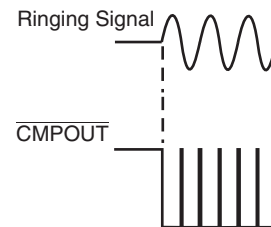
Application Note AN-117 **Customize Caller ID Gain and Ringing Detect Voltage Threshold** is a spreadsheet for trying different component values in this type of circuit.

### 2.3 Detector Considerations

#### 2.3.1 Ringing Signal Detection

The CPC5710N detector is a full-wave configuration. Ringing signals will assert the output on both positive and negative parts of the ringing waveform. Hysteresis is employed by the internal comparator circuit to provide noise immunity. The set-up of the detector causes  $\overline{\text{CMPOUT}}$  output pulses to remain low for most of the ringing signal positive and negative half-cycles.  $\overline{\text{CMPOUT}}$  returns high when the ringing signal is near the zero-voltage crossing.

Figure 2. CMPOUT Relative to Input



#### 2.3.2 Setting Ringing Detection Threshold

The ringing detection threshold depends on the component values of the input network. The values for these components shown in the application circuit are recommended for typical operation. Referring to **Figure 5.**, the ringing detection threshold can be changed according to the following formula:

$$V_{RINGPK} = \left( \frac{750mV}{R_{SNPD}} \right) \sqrt{(4R_{SNP} + R_{SNPD})^2 + \frac{1}{(\pi f_{RING} C_{SNP})^2}}$$

With the application circuit in **Figure 5.**, the series capacitors serve to reduce the magnitude of the high-amplitude, low-frequency ringing signals, while making the ringing detection threshold of the CPC5710N variable with the frequency of the ringing signal. With the circuit as given,  $CMPOUT$  will change states with a 15Hz ringing signal at approximately  $48V_{PEAK}$ . For a 68Hz ringing signal,  $CMPOUT$  will change states with a ringing signal amplitude of approximately  $11.5V_{PEAK}$ .

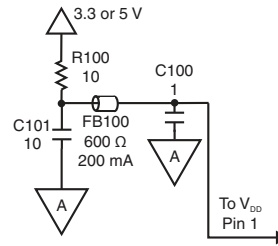
In applications where CPC5710N will be used only as a ringing level detector, or if significant attenuation of the amplified signal can be tolerated, the frequency variability of the ringing detection threshold can be reduced by increasing the value of the resistors and capacitors in series with the input.

Application Note AN-117 **Customize Caller ID Gain and Ringing Detect Voltage Threshold** is a spreadsheet for trying different component values in this circuit for LITELINK snoop circuit applications.

## 2.4 Power Quality

CPC5710N works best with a clean power supply. To clean up power supply noise, IXYS Integrated Circuits Division recommends using a pi network on the  $V_{DD}$  pin as shown in **Figure 3.**, if needed.

**Figure 3. Optional Power Supply pi Network**



Note: For lower-frequency noise, use a 220  $\mu$ H inductor in series with R100.

### 3. Applications

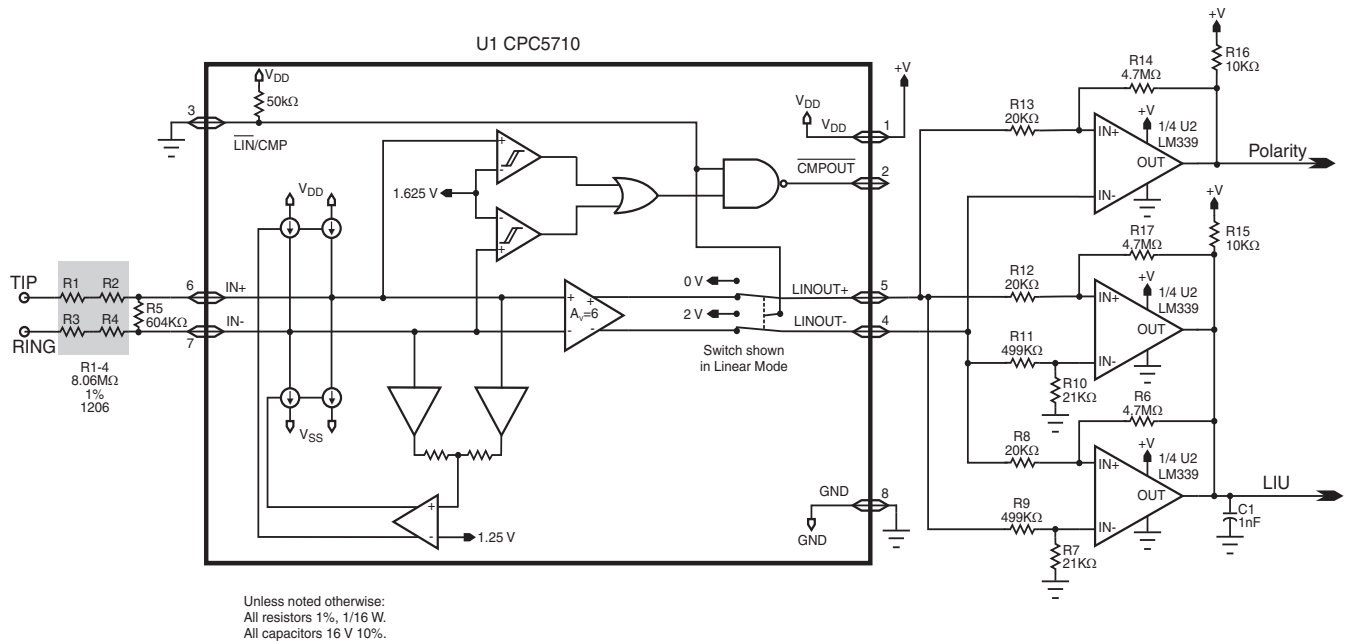
#### 3.1 Line-In-Use (LIU) and Line Polarity Detector

This circuit performs two phone line interface functions, LIU and line polarity detection. The LIU output is logic high if the tip to ring voltage is less than approximately 17V. This will occur whenever a parallel device on the line such as a telephone or FAX is taken

off hook. This circuit can also be used to detect for the presence or loss of battery.

The Polarity output indicates the polarity of the phone line. Whenever tip is positive with respect to ring, Polarity out will be a logic high.

Figure 4. LIU and Polarity Detection Application Circuit



### 3.2 Non-Intrusive Line Monitoring, Display Feature (Caller ID) Signal Reception, and Ringing Detection Application

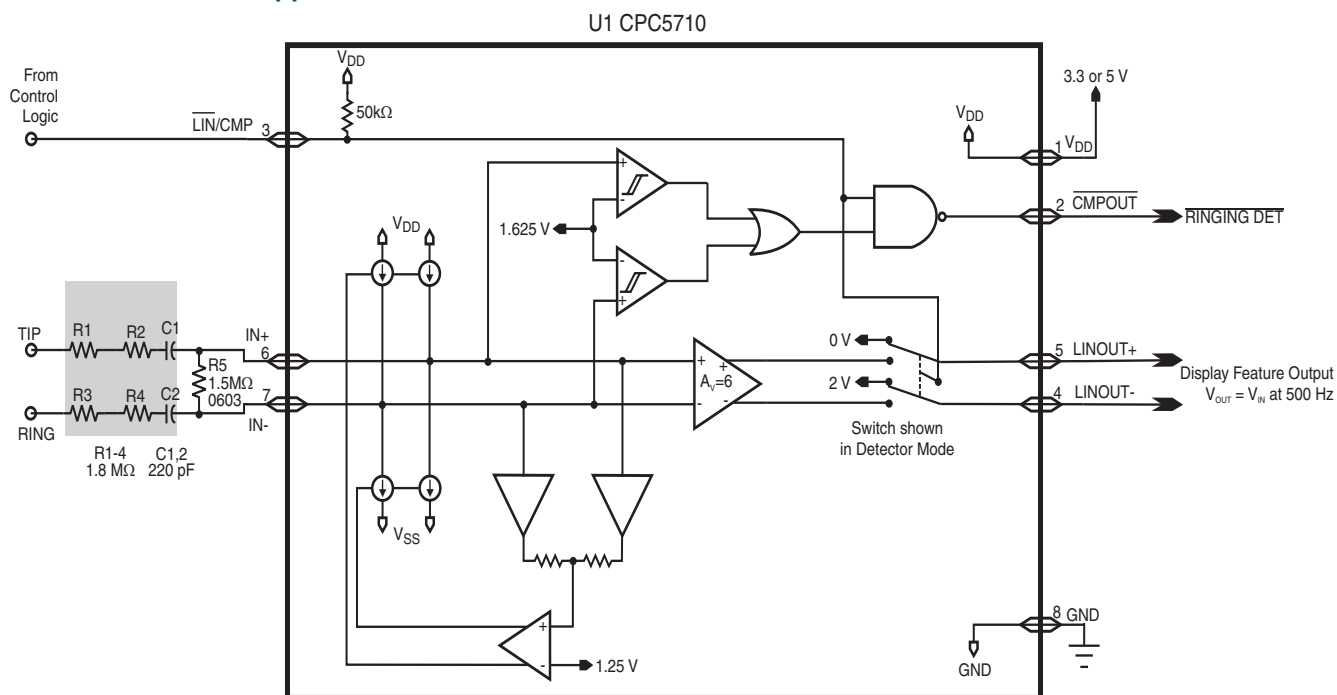
This application uses the logic input  $\overline{\text{LIN/CMP}}$  to select between ringing detection or buffering display feature (caller-ID) and voice signals. Note the AC coupling of the tip and ring signals.

period, configure  $\overline{\text{LIN/CMP}}$  with a logic low to couple the audio frequency signal to the output pins.

Please see “Detector Considerations” on page 5 for more information on ringing detection.

With this circuit, setting  $\overline{\text{LIN/CMP}}$  to a logic high enables the ringing detector.

**Figure 5. Non-Intrusive Line Monitoring, Display Feature (Caller ID) Signal Reception, and Ringing Detection Application Circuit**



Unless noted otherwise:  
All resistors are 1/8 W, 1%, 1206.

#### 3.2.1 Frequency Response

The blocking capacitors used in this application circuit affect the frequency response of the system. With the components shown, response rolls off 3dB @ 166Hz. Other values can be used for different response characteristics.

### 3.3 Regulatory Issues

Component sizing and value recommendations shown in the application circuits above will need to be reviewed with regard to the regulatory and safety requirements for each particular application.



## 4. Manufacturing Information

### 4.1 Moisture Sensitivity



All plastic encapsulated semiconductor packages are susceptible to moisture ingress. IXYS Integrated Circuits Division classified all of its plastic encapsulated devices for moisture sensitivity according to the latest version of the joint industry standard, **IPC/JEDEC J-STD-020**, in force at the time of product evaluation. We test all of our products to the maximum conditions set forth in the standard, and guarantee proper operation of our devices when handled according to the limitations and information in that standard as well as to any limitations set forth in the information or standards referenced below.

Failure to adhere to the warnings or limitations as established by the listed specifications could result in reduced product performance, reduction of operable life, and/or reduction of overall reliability.

This product carries a **Moisture Sensitivity Level (MSL) rating** as shown below, and should be handled according to the requirements of the latest version of the joint industry standard **IPC/JEDEC J-STD-033**.

Device	Moisture Sensitivity Level (MSL) Rating
CPC5710N	MSL 1

### 4.2 ESD Sensitivity



This product is **ESD Sensitive**, and should be handled according to the industry standard **JESD-625**.

### 4.3 Reflow Profile

This product has a maximum body temperature and time rating as shown below. All other guidelines of **J-STD-020** must be observed.

Device	Maximum Temperature x Time
CPC5710N	260°C for 30 seconds

### 4.4 Board Wash

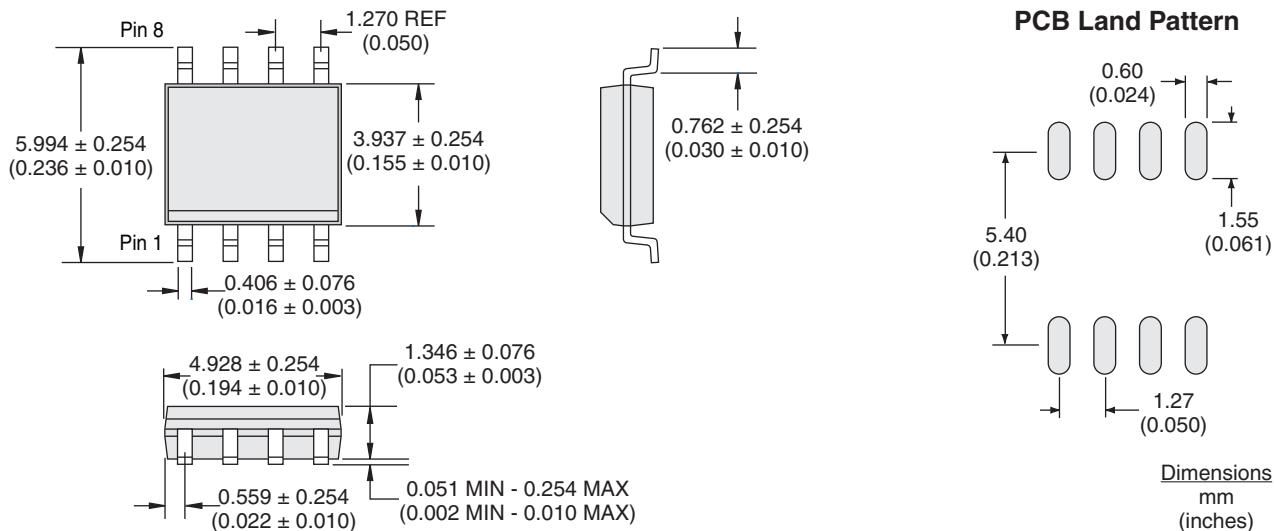
IXYS Integrated Circuits Division recommends the use of no-clean flux formulations. However, board washing to remove flux residue is acceptable, and the use of a short drying bake may be necessary. Chlorine-based or Fluorine-based solvents or fluxes should not be used. Cleaning methods that employ ultrasonic energy should not be used.



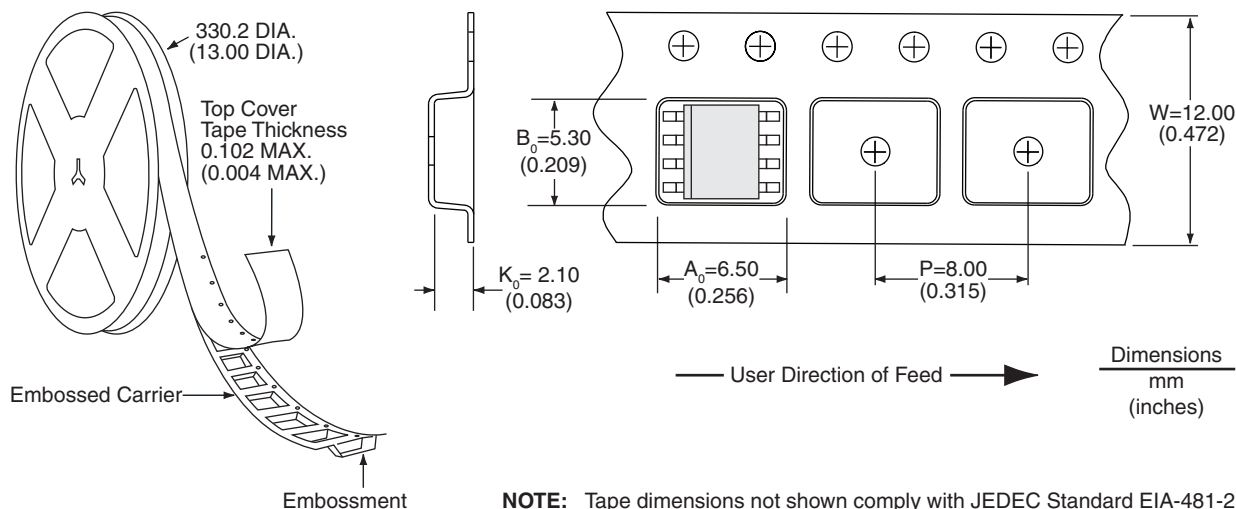
**Note:** The CPC5710N branding (package imprinting) leaves off the last character of the part number, the letter “N,” due to package space limitations.

## 4.5 Mechanical Dimensions

### 4.5.1 CPC5710N 8-Pin SOIC Package



### 4.5.2 CPC5710NTR Tape and Reel Specifications



### For additional information please visit [www.ixysic.com](http://www.ixysic.com)

IXYS Integrated Circuits Division makes no representations or warranties with respect to the accuracy or completeness of the contents of this publication and reserves the right to make changes to specifications and product descriptions at any time without notice. Neither circuit patent licenses nor indemnity are expressed or implied. Except as set forth in IXYS Integrated Circuits Division's Standard Terms and Conditions of Sale, IXYS Integrated Circuits Division assumes no liability whatsoever, and disclaims any express or implied warranty, relating to its products including, but not limited to, the implied warranty of merchantability, fitness for a particular purpose, or infringement of any intellectual property right.

The products described in this document are not designed, intended, authorized or warranted for use as components in systems intended for surgical implant into the body, or in other applications intended to support or sustain life, or where malfunction of IXYS Integrated Circuits Division's product may result in direct physical harm, injury, or death to a person or severe property or environmental damage. IXYS Integrated Circuits Division reserves the right to discontinue or make changes to its products at any time without notice.

Specification: DS-CPC5710-R03  
 © Copyright 2012, IXYS Integrated Circuits Division  
 All rights reserved. Printed in USA.  
 12/22/2012