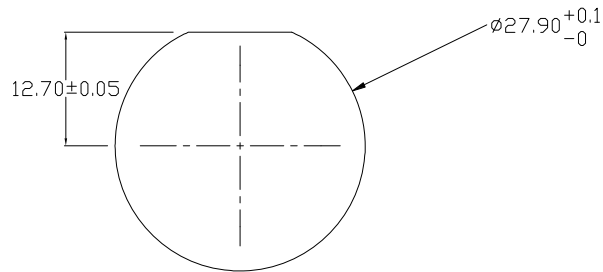
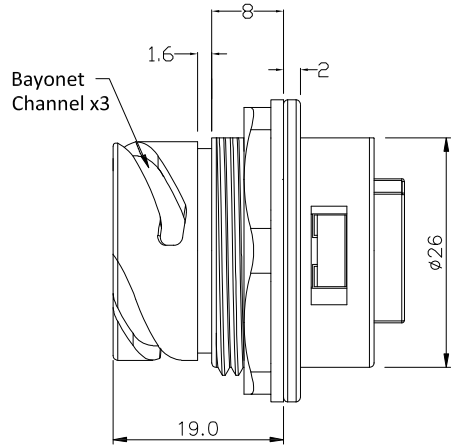
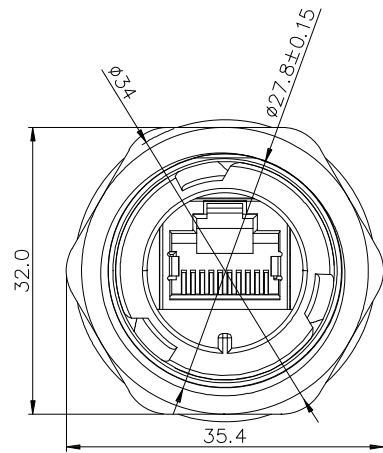
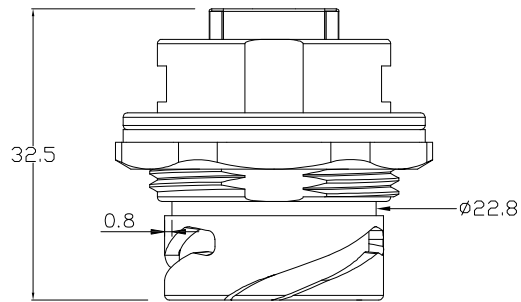
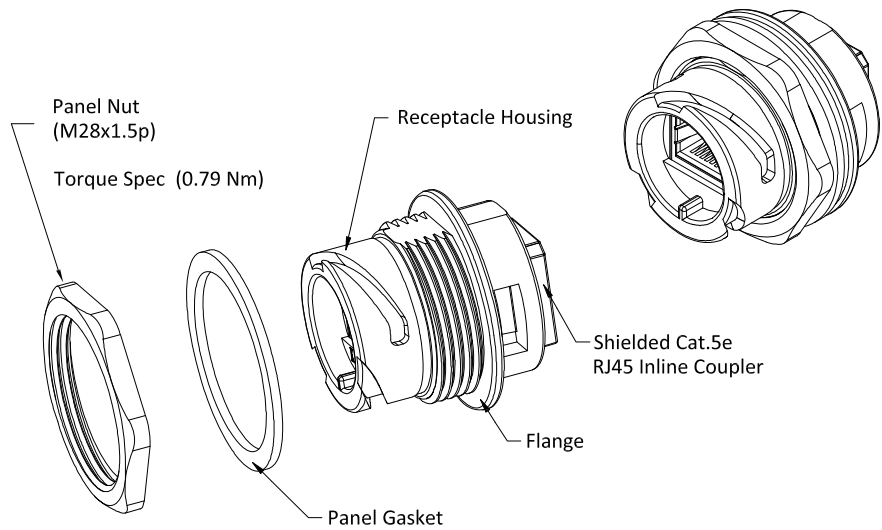


DESCRIPTION: IPRJ CONNECTOR - METAL



Panel Cut-Out



Electrical Specifications:

Meets EIA/TIA - 568 - B.2 Cat.5e Specification
 Contact Resistance: 20 mOhm max
 Insulation Resistance: 500 MOhm min @100V DC
 Current Rating: 1.5A max
 Voltage Rating: 100VDC
 DWV: 1000V DC/60s min Contact to Contact, 1500V DC/60s Contact to Metal Shell
 Operating Temperature: -40°C TO +85°C

Material and Finish:

Receptacle Housing: Zn Alloy 3, Nickel Plated
 Panel Nut: Copper Alloy, Nickel Plated
 Panel Gasket: Silicone
 RJ45 Jack Metal Shell: Copper Alloy, Nickel Plated
 RJ45 Jack Plastic Housing: Engineering Thermoplastic Flammability Rating UL94 V-0
 Color: Black
 RJ45 Jack Contact: Phosphor Bronze, finish: 50u" Gold over Nickel

Connector can be front mounted to a maximum panel thickness of 3.2mm.

RoHS COMPLIANT

UNITS = mm

DO NOT SCALE FROM DRAWING



THESE DRAWINGS AND SPECIFICATIONS ARE THE PROPERTY OF NorComp AND SHALL NOT BE REPRODUCED, COPIED OR USED AS THE BASIS FOR THE MANUFACTURE OR SALE OF APPARATUS WITHOUT WRITTEN PERMISSION.

DRAWN:
M. SIGMON
 DATE:
05/10/2013

NorComp

SCALE: NTS	SHEET 1	OF 1	REV 4
DWG NO.		IPRJCONN-M	