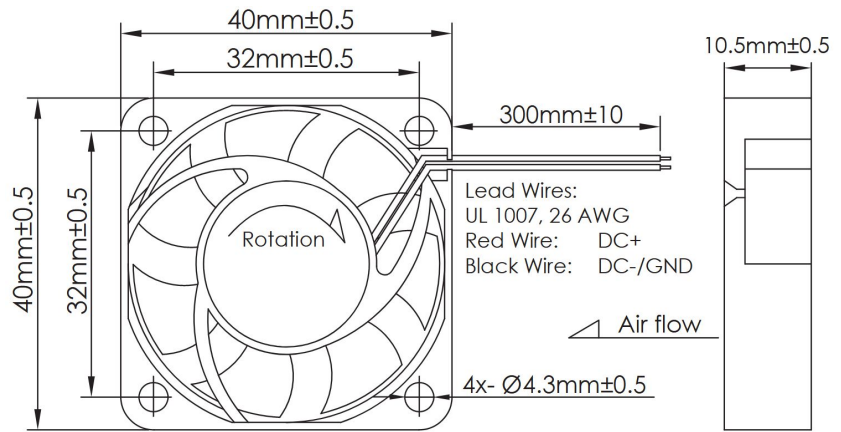


# OD4010 Series



DC Fans - 5, 12, 24V  
40mm x 40mm x 10.5mm (1.6" x 0.4")



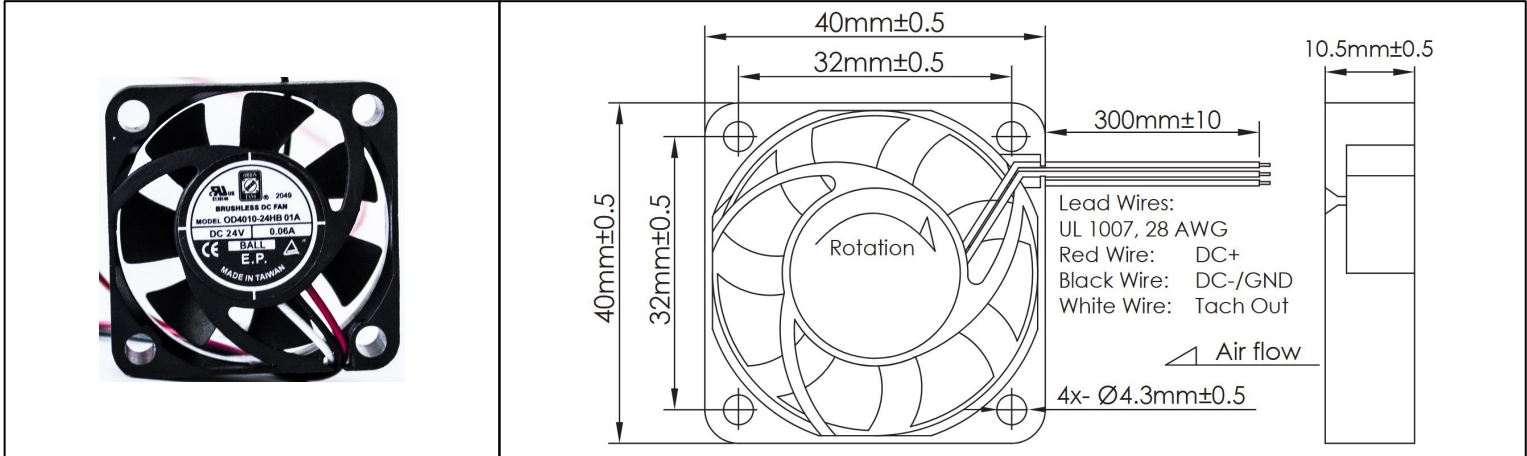
<b>Frame</b>	PBT, UL94 V-0 plastic	<b>Operating Temperature</b> -20°C ~ +65°C  <b>Storage Temperature</b> -20°C ~ +75°C  <b>Life Expectancy</b> 60,000 Hours (L10 at 45°C)  <b>Available Options</b> Tachometer Output Alarm Output PWM Speed Control Input IP Ratings Sealed Sleeve Bearings  Weight: 0.044 lbs	
<b>Impeller</b>	PBT, UL94 V-0 plastic		
<b>Connection</b>	2x Lead wires, 26 AWG		
<b>Motor</b>	Brushless DC, Auto Restart, Auto Cutoff, Polarity Protected, Electronically Protected		
<b>Bearing System</b>	Dual Ball Bearings		
<b>Dielectric Strength</b>	500VAC/min, < 1mA		
<b>Insulation Resistance</b>	≥10MΩ @ 500 VDC		

Part Number	Rated Voltage (V DC)	Voltage Range (V DC)	Input Power (Watts)	Rated Current (Amps)	Rated Speed (RPM)	Airflow (CFM)	Noise Level (dB)	Max. Static Pressure
OD4010-05HHB	5 VDC	4 ~ 5.5	0.5	0.10 ~ 0.30	10000	12	38.2	0.34" H <sub>2</sub> O
OD4010-05HB	5 VDC	4 ~ 5.5	0.5	0.10 ~ 0.30	8000	9.2	33.4	0.20" H <sub>2</sub> O
OD4010-05MB	5 VDC	4 ~ 5.5	0.36	0.07 ~ 0.12	6000	7.2	26.3	0.12" H <sub>2</sub> O
OD4010-05LB	5 VDC	4 ~ 5.5	0.30	0.06 ~ 0.10	4000	4.7	20.1	0.07" H <sub>2</sub> O
OD4010-12HHB	12 VDC	10.8 ~ 13.2	0.72	0.07 ~ 0.18	10000	12	38.2	0.34" H <sub>2</sub> O
OD4010-12HB	12 VDC	10.8 ~ 13.2	0.72	0.07 ~ 0.12	8000	9.2	33.4	0.20" H <sub>2</sub> O
OD4010-12MB	12 VDC	10.8 ~ 13.2	0.6	0.05 ~ 0.10	6000	7.2	26.3	0.12" H <sub>2</sub> O
OD4010-12LB	12 VDC	10.8 ~ 13.2	0.50	0.04 ~ 0.06	4000	4.7	20.1	0.07" H <sub>2</sub> O
OD4010-24HHB	24 VDC	21.6 ~ 26.4	1.45	0.06 ~ 0.09	10000	12	38.2	0.34" H <sub>2</sub> O
OD4010-24HB	24 VDC	21.6 ~ 26.4	1.45	0.06 ~ 0.08	8000	9.2	33.4	0.20" H <sub>2</sub> O
OD4010-24MB	24 VDC	21.6 ~ 26.4	1.2	0.05 ~ 0.07	6000	7.2	26.3	0.12" H <sub>2</sub> O
OD4010-24LB	24 VDC	21.6 ~ 26.4	0.73	0.03 ~ 0.05	4000	4.7	20.1	0.07" H <sub>2</sub> O

# OD4010 Series with Tach



DC Fans - 12, 24V  
40mm x 40mm x 10.5mm (1.6" x 0.4")



<b>Frame</b>	PBT, UL94 V-0 plastic	<b>Operating Temperature</b> -20°C ~ +65°C  <b>Storage Temperature</b> -20°C ~ +75°C  <b>Life Expectancy</b> 60,000 Hours (L10 at 45°C)  <b>Installed Options</b> Open Collector Tach Output  Weight: 0.044 lbs	
<b>Impeller</b>	PBT, UL94 V-0 plastic		
<b>Connection</b>	3x Lead wires, 28 AWG		
<b>Motor</b>	Brushless DC, Auto Restart, Auto Cutoff, Polarity Protected, Electronically Protected		
<b>Bearing System</b>	Dual Ball Bearings		
<b>Dielectric Strength</b>	500VAC/min, < 1mA		
<b>Insulation Resistance</b>	≥10MΩ @ 500 VDC		

Part Number	Rated Voltage (V DC)	Voltage Range (V DC)	Input Power (Watts)	Rated Current (Amps)	Rated Speed (RPM)	Airflow (CFM)	Noise Level (dB)	Max. Static Pressure
OD4010-12HB01A	12 VDC	10.8 ~ 13.2	0.72	0.07 ~ 0.12	8000	9.2	33.4	0.20" H <sub>2</sub> O
OD4010-24HB01A	24 VDC	21.6 ~ 26.4	1.4	0.06 ~ 0.08	8000	9.2	33.4	0.20" H <sub>2</sub> O

