

# ***DSP-Codec Development Platform***

## *User's Guide*

## IMPORTANT NOTICE

Texas Instruments Incorporated and its subsidiaries (TI) reserve the right to make corrections, modifications, enhancements, improvements, and other changes to its products and services at any time and to discontinue any product or service without notice. Customers should obtain the latest relevant information before placing orders and should verify that such information is current and complete. All products are sold subject to TI's terms and conditions of sale supplied at the time of order acknowledgment.

TI warrants performance of its hardware products to the specifications applicable at the time of sale in accordance with TI's standard warranty. Testing and other quality control techniques are used to the extent TI deems necessary to support this warranty. Except where mandated by government requirements, testing of all parameters of each product is not necessarily performed.

TI assumes no liability for applications assistance or customer product design. Customers are responsible for their products and applications using TI components. To minimize the risks associated with customer products and applications, customers should provide adequate design and operating safeguards.

TI does not warrant or represent that any license, either express or implied, is granted under any TI patent right, copyright, mask work right, or other TI intellectual property right relating to any combination, machine, or process in which TI products or services are used. Information published by TI regarding third-party products or services does not constitute a license from TI to use such products or services or a warranty or endorsement thereof. Use of such information may require a license from a third party under the patents or other intellectual property of the third party, or a license from TI under the patents or other intellectual property of TI.

Reproduction of information in TI data books or data sheets is permissible only if reproduction is without alteration and is accompanied by all associated warranties, conditions, limitations, and notices. Reproduction of this information with alteration is an unfair and deceptive business practice. TI is not responsible or liable for such altered documentation.

Resale of TI products or services with statements different from or beyond the parameters stated by TI for that product or service voids all express and any implied warranties for the associated TI product or service and is an unfair and deceptive business practice. TI is not responsible or liable for any such statements.

Mailing Address:

Texas Instruments  
Post Office Box 655303  
Dallas, Texas 75265

## EVM IMPORTANT NOTICE

Texas Instruments (TI) provides the enclosed product(s) under the following conditions:

This evaluation kit being sold by TI is intended for use for **ENGINEERING DEVELOPMENT OR EVALUATION PURPOSES ONLY** and is not considered by TI to be fit for commercial use. As such, the goods being provided may not be complete in terms of required design-, marketing-, and/or manufacturing-related protective considerations, including product safety measures typically found in the end product incorporating the goods. As a prototype, this product does not fall within the scope of the European Union directive on electromagnetic compatibility and therefore may not meet the technical requirements of the directive.

Should this evaluation kit not meet the specifications indicated in the EVM User's Guide, the kit may be returned within 30 days from the date of delivery for a full refund. **THE FOREGOING WARRANTY IS THE EXCLUSIVE WARRANTY MADE BY SELLER TO BUYER AND IS IN LIEU OF ALL OTHER WARRANTIES, EXPRESSED, IMPLIED, OR STATUTORY, INCLUDING ANY WARRANTY OF MERCHANTABILITY OR FITNESS FOR ANY PARTICULAR PURPOSE.**

The user assumes all responsibility and liability for proper and safe handling of the goods. Further, the user indemnifies TI from all claims arising from the handling or use of the goods. Please be aware that the products received may not be regulatory compliant or agency certified (FCC, UL, CE, etc.). Due to the open construction of the product, it is the user's responsibility to take any and all appropriate precautions with regard to electrostatic discharge.

**EXCEPT TO THE EXTENT OF THE INDEMNITY SET FORTH ABOVE, NEITHER PARTY SHALL BE LIABLE TO THE OTHER FOR ANY INDIRECT, SPECIAL, INCIDENTAL, OR CONSEQUENTIAL DAMAGES.**

TI currently deals with a variety of customers for products, and therefore our arrangement with the user **is not exclusive**.

TI assumes **no liability for applications assistance, customer product design, software performance, or infringement of patents or services described herein**.

Please read the EVM User's Guide and, specifically, the EVM Warnings and Restrictions notice in the EVM User's Guide prior to handling the product. This notice contains important safety information about temperatures and voltages. For further safety concerns, please contact the TI application engineer.

Persons handling the product must have electronics training and observe good laboratory practice standards.

No license is granted under any patent right or other intellectual property right of TI covering or relating to any machine, process, or combination in which such TI products or services might be or are used.

Mailing Address:

Texas Instruments  
Post Office Box 655303  
Dallas, Texas 75265

## **EVM WARNINGS AND RESTRICTIONS**

It is important to operate this EVM within the input voltage range of 3.3 V described in the EVM User's Guide.

Exceeding the specified input range may cause unexpected operation and/or irreversible damage to the EVM. If there are questions concerning the input range, please contact a TI field representative prior to connecting the input power.

Applying loads outside of the specified output range may result in unintended operation and/or possible permanent damage to the EVM. Please consult the EVM User's Guide prior to connecting any load to the EVM output. If there is uncertainty as to the load specification, please contact a TI field representative.

During normal operation, some circuit components may have case temperatures greater than 60°C. The EVM is designed to operate properly with certain components above 60°C as long as the input and output ranges are maintained. These components include but are not limited to linear regulators, switching transistors, pass transistors, and current sense resistors. These types of devices can be identified using the EVM schematic located in the EVM User's Guide. When placing measurement probes near these devices during operation, please be aware that these devices may be very warm to the touch.

### **Mailing Address:**

Texas Instruments  
Post Office Box 655303  
Dallas, Texas 75265

# Read This First

---

---

---

---

### ***About This Manual***

This user's guide describes the operation and use of the DSP-codec development platform. A complete circuit description as well as schematic diagram and bill of materials are also included.

### ***How to Use This Manual***

This document contains the following chapters:

- Chapter 1 – Introduction and EVM Overview
- Chapter 2 – Digital Interface
- Chapter 3 – Support Functions
- Chapter 4 – EVM Bill of Materials and Schematic

### ***Related Documentation From Texas Instruments***

To obtain a copy of any of the following TI documents, call the Texas Instruments literature response center at (800) 477-8924 or the product information center (PIC) at (972) 644-5580. When ordering, please identify this booklet by its title and literature number. Updated documents can also be obtained through the TI website at [www.ti.com](http://www.ti.com).

**Data Sheets:**

SN74LVC1G08DBVR  
SN74LVC74ADR  
TPS70151PWP

**Literature Number:**

SCES217J  
SCAS287M  
SLVS222A

**FCC Warning**

This equipment is intended for use in a laboratory test environment only. It generates, uses, and can radiate radio frequency energy and has not been tested for compliance with the limits of computing devices pursuant to subpart J of part 15 of FCC rules, which are designed to provide reasonable protection against radio frequency interference. Operation of this equipment in other environments may cause interference with radio communications, in which case the user at his own expense will be required to take whatever measures may be required to correct this interference.

# Contents

---

---

---

<b>1</b>	<b>Introduction and EVM Overview</b>	<b>1-1</b>
1.1	Features	1-2
1.2	Introduction	1-2
<b>2</b>	<b>Digital Interface</b>	<b>2-1</b>
2.1	Introduciton	2-2
2.2	DSP-to-Platform	2-3
2.3	Platform-to-Codec	2-3
<b>3</b>	<b>Support Functions</b>	<b>3-1</b>
3.1	Introduction	3-2
3.1.1	MCLK Generation	3-2
3.1.2	Reset Generation	3-2
3.1.3	Power Options	3-2
3.2	Key Signal Synchronization	3-3
<b>4</b>	<b>EVM Bill of Materials and Schematic</b>	<b>4-1</b>
4.1	EVM Bill of Materials	4-2
4.2	EVM Schematic	4-2

# Figures

---

---

---

2-1	DSP-Codec Development Platform	2-2
-----	--------------------------------	-----

# Tables

---

---

---

2-1	J2 Connector Pinouts	2-3
3-1	Jumper W2 Function	3-2
3-2	Jumper W1 Function	3-2





# **Introduction and EVM Overview**

---

---

---

---

This chapter provides a brief overview of the DSP-codec development platform.

<b>Topic</b>	<b>Page</b>
1.1 <b>Features</b> .....	1-2
1.2 <b>Introduction</b> .....	1-2

## 1.1 Features

- Provides all necessary voltages for device under test
- Provides bit clock for codecs
- Flexible interface to popular TI DSPs
- General codec requirements are addressed

## 1.2 Introduction

The DSP-codec development platform provides all the supplementary control signals necessary to interface a range of TI codecs to TI DSP starter kits (DSKs).

The platform supports the following devices

- TLV320AIC1103
- TLV320AIC1106
- TLV320AIC1107
- TLV320AIC1109
- TLV320AIC1110
- TLV320AIC12
- TLV320AIC13
- TLV320AIC14
- TLV320AIC15
- TLV320AIC20
- TLV320AIC21
- TLV320AIC22
- TLV320AIC24

# Digital Interface

---

---

---

---

This chapter describes the digital interface of the DSP-codec development platform.

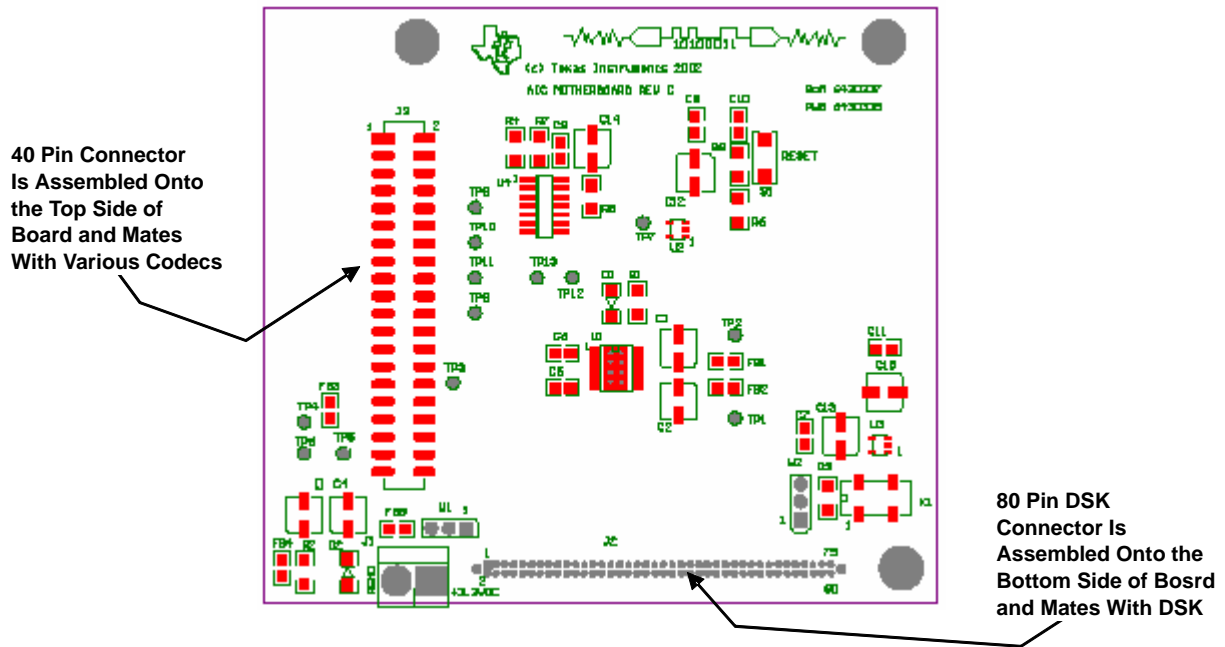
<b>Topic</b>	<b>Page</b>
<b>2.1 Introduction</b> .....	<b>2-2</b>
<b>2.2 DSP-to-Platform</b> .....	<b>2-3</b>
<b>2.3 Platform-to-Codec</b> .....	<b>2-3</b>

## 2.1 Introduciton

There are two sections within the digital interface of the development platform:

- DSP-to-platform
- Platform-to-codec

Figure 2-1. DSP-Codec Development Platform



## 2.2 DSP-to-Platform

The development platform mates with TI DSKs via the 80-pin Samtec connector located at J2. Consult the schematic for pinout details.

## 2.3 Platform-to-Codec

Codec EVMs mate with the development platform via a 40-pin Samtec connector located at J3. The mating connector (Samtec part number, SSW-120-22-F-D-VS-K) is used on the EVM board to provide the electrical connections necessary for various codec EVMs. Consult Samtec at [www.samtec.com](http://www.samtec.com) or 1-800-SAMTEC-9 for more information.

The pinout for the 40-pin connector is given in Table 2-1.

Table 2-1. J2 Connector Pinouts

Pin Number	Signal	Description
J2.1	MCLK	Master clock
J2.2	DGND	Digital ground
J2.3	SCLK	Serial data clock
J2.4	DGND	Digital ground
J2.5	DIN	Data in
J2.6	DGND	Digital ground
J2.7	DOUT	Data out
J2.8	Reserved	Reserved for future use
J2.9	FS	Frame sync
J2.10	Reserved	Reserved for future use
J2.11	CLKX	Transmit clock
J2.12	Reserved	Reserved for future use
J2.13	FSX	Frame sync transmit
J2.14	Reserved	Reserved for future use
J2.15	DX	Data transmit
J2.16	DR	Data receive
J2.17	$\overline{\text{RESET}}$	Global reset for all devices
J2.18	FSR	Frame sync receive
J2.19	PWDN	Global power down for all devices
J2.20	CLKR	Receive clock
J2.21	CNTLb	GPIO pin
J2.22	CNTLa	GPIO pin
J2.23	STATb	Status pin
J2.24	STATa	Status pin
J2.25	3.3V_D	Digital 3.3 V
J2.26	Reserved	Reserved for future use
J2.27	3.3V_D	Digital 3.3 V
J2.28	DGND	Digital ground
J2.29	1.8V_D	Digital 1.8 V
J2.30	DGND	Digital ground
J2.31	1.8V_D	Digital 1.8 V

Table 2-1. J2 Connector Pinouts (Continued)

Pin Number	Signal	Description
J2.32	DGND	Digital ground
J2.33	3.3V_A_DRV	Output driver supply 3.3 V
J2.34	AGND	Analog ground
J2.35	3.3V_A_DRV	Output driver supply 3.3 V
J2.36	AGND	Analog ground
J2.37	3.3V_A	Analog 3.3 V
J2.38	AGND	Analog ground
J2.39	3.3V_A	Analog 3.3 V
J2.40	AGND	Analog ground

# Support Functions

---

---

---

---

This chapter provides a description of the codec support functions.

<b>Topic</b>	<b>Page</b>
<b>3.1 Introduction</b> .....	<b>3-2</b>
<b>3.2 Key Signal Synchronization</b> .....	<b>3-3</b>

### 3.1 Introduction

The development platform supports a number of functions required by the codecs:

- MCLK generation
- Reset generation
- Power options

Alternatives for each function are described below.

#### 3.1.1 MCLK Generation

MCLK is the clock required by the Sigma Delta converter. All other timing is derived from MCLK. The DSK provides a clock that can be used as MCLK for the codecs. Alternatively, a 100 MHz clock is available on the development platform. Jumper W2 selects the clock source.

*Table 3-1. Jumper W2 Function*

Position	Function
1-2	DSP Clock is selected
2-3	100 MHz clock from development platform is selected

#### 3.1.2 Reset Generation

Reset may be generated by either the DSK via software, or manually by momentarily pressing SW1. Either of these options is valid and generates a RESET signal that is asynchronous to MCLK.

#### 3.1.3 Power Options

System power may be supplied from either the DSK via connector J2, or an external source via connector J1. If an external source is used to supply system power, switch the position of jumper W1.

*Table 3-2. Jumper W1 Function*

Position	W1 Function
1-2	3.3 V is supplied via the DSK
2-3	3.3 V is supplied via the J1 screw terminals



## 3.2 Key Signal Synchronization

The reset and power-down signals must be synchronized to MCLK before being applied to any codec. As mentioned previously,  $\overline{\text{RESET}}$  is generated by the DSK or the user, and is asynchronous to the MCLK. Synchronization is achieved by D-type flip-flop. Similarly, the  $\overline{\text{PWDN}}$  signal is generated by the user's software, and is asynchronous to the MCLK signal. Synchronization of  $\overline{\text{PWDN}}$  is also achieved by D-type flip-flop.



# **EVM Bill of Materials and Schematic**

---

---

---

---

The development platform bill of materials and schematic are provided in this chapter.

<b>Topic</b>	<b>Page</b>
<b>4.1 EVM Bill of Materials</b> .....	<b>4-2</b>
<b>4.2 EVM Schematic</b> .....	<b>4-2</b>

## 4.1 EVM Bill of Materials

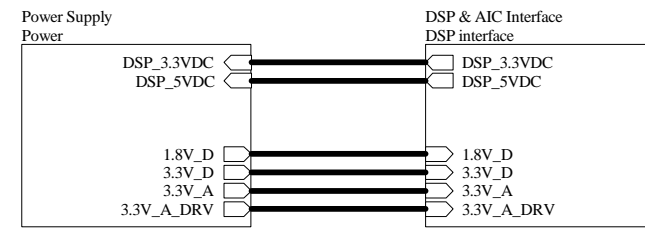
The following table contains a complete bill of materials for the DSP-codec development platform. The schematic diagram is also provided for reference. Contact the product information center, or e-mail [dataconvapps@list.ti.com](mailto:dataconvapps@list.ti.com) if you have questions regarding this EVM.

Ref Des	Description	Vendor	Part number
C7, C8, C9, C10, C11	Capacitor, 0.1 $\mu$ F 50 V, ceramic X7R 0805	Panasonic	ECJ-2YB1H104K
C5, C6	Capacitor, .22 $\mu$ F 16 V ceramic X7R 0805	Panasonic	ECJ-2VB1C224K
C12, C13, C14, C15	Capacitor, 10 $\mu$ F 16 V VS electrolytic SMD	Panasonic	ECE-V1CA100SR
C1, C2, C3, C4	Capacitor, 33 $\mu$ F 10 V VS electrolytic SMD	Panasonic	ECE-V1AA330SR
FB1, FB2, FB3, FB4, FB5	Ferrite bead inductor	FairRite	2744044447
R1, R2	RES 270 $\Omega$ 1/8 W 5%, 1206 SMD	Panasonic	ERJ-8GEYJ271V
R8	RES 1.0 k $\Omega$ 1/8 W,5%, 1206 SMD	Panasonic	ERJ-8GEYJ102V
R3, R4, R5	Resistor 10 k $\Omega$ , 1/8 W 5%, 1206 SMD	Panasonic	ERJ-8GEYJ103V
R7			
R6	Resistor 130 k $\Omega$ , 1/8 W 5% 1206 SMD	Panasonic	ERJ-8GEYJ134V
D1, D2	LED, green, clear 1206 SMD	Chicago Miniature Lamp Inc	CMD5-21VGC/TR8
X1	100 MHz Oscillator	Epson	SG-8002JC100M-PCC
	TLV320 AIC motherboard		6430339
	TLV320 AIC motherboard DDB	Texas Instruments	6430338
U2, U3	Single 2-input positive-AND gate	Texas Instruments	SN74LVC1G08DBVR
U4	IC, dual D-type flip-flop 14-SOP	Texas Instruments	SN74LVC74ADR
U1	IC, dual 3.3/1.8 LDO Reg. 20 HTSSOP	Texas Instruments	TPS70151PWP
J1	2-Terminal screw connector	Lumberg	KRMZ2
W1, W2	3-position jumper	Samtec	TSW-103-07-L-S
J3	40-PIN SMT plug	Samtec	TSM-120-01-T-DV-P
J2	80-Pin 0.05" center	Samtec	TFM-140-31-S-D-A
S1	Switch, light touch 6X3.5 240 GF SMD	Panasonic	EVQ-PJU04K
TP1, TP2, TP3, TP4, TP5, TP6, TP7, TP8, TP9, TP10, TP11, TP12, TP13	Test point	Keystone	5000

## 4.2 EVM Schematic

The full DSP-codec EVM schematic is on the following pages.

Revision History		
REV	ECN Number	Approved



12500 TI Boulevard. Dallas, Texas 75243		
Title: DSP / CODEC Development Platform		
Engineer:	DOCUMENTCONTROL # 6430338	REV: C
Drawn By:	DATE: 9-Jul-2002	SIZE: 6
FILE: CODEC Development system	SHEET: 1	OF: 3

1

2

3

4

5

D

D

C

C

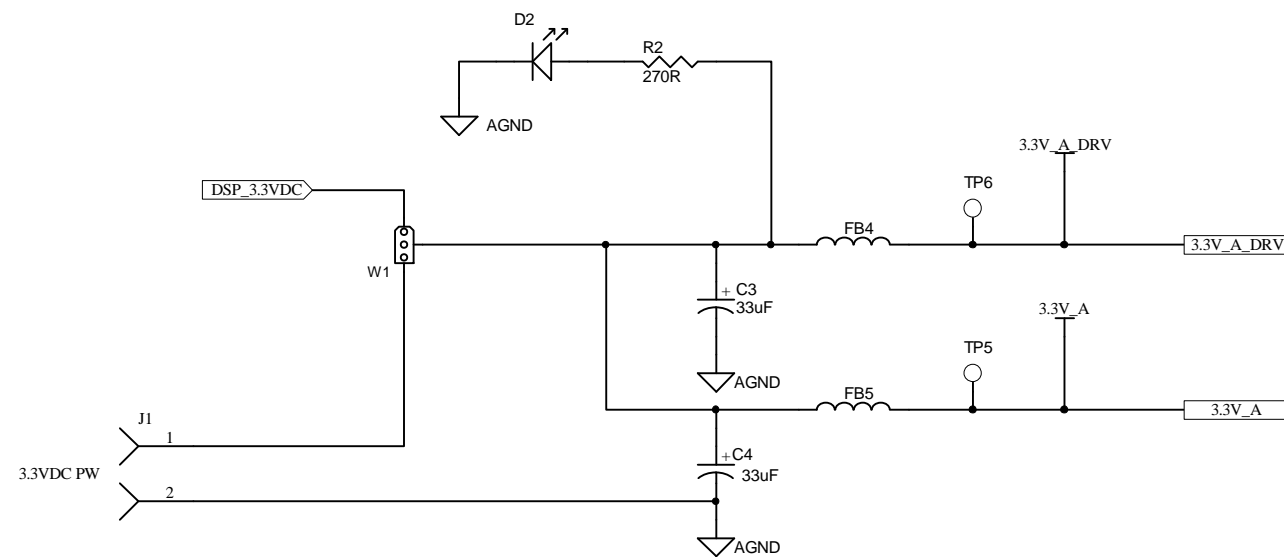
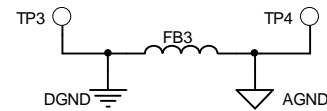
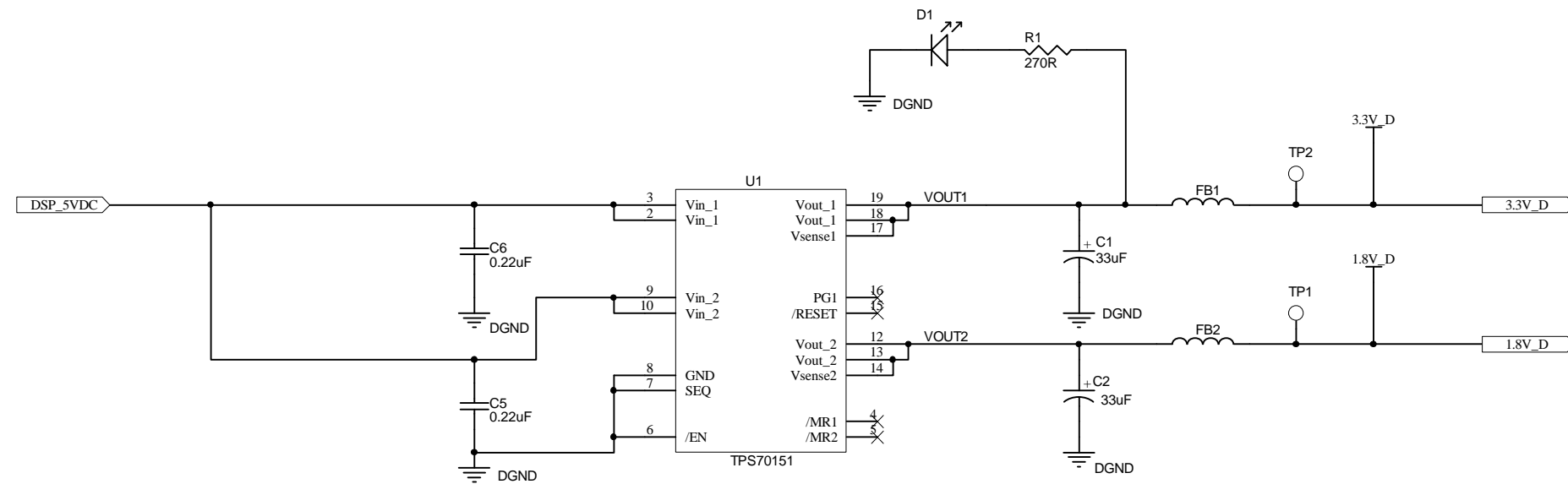
B

B

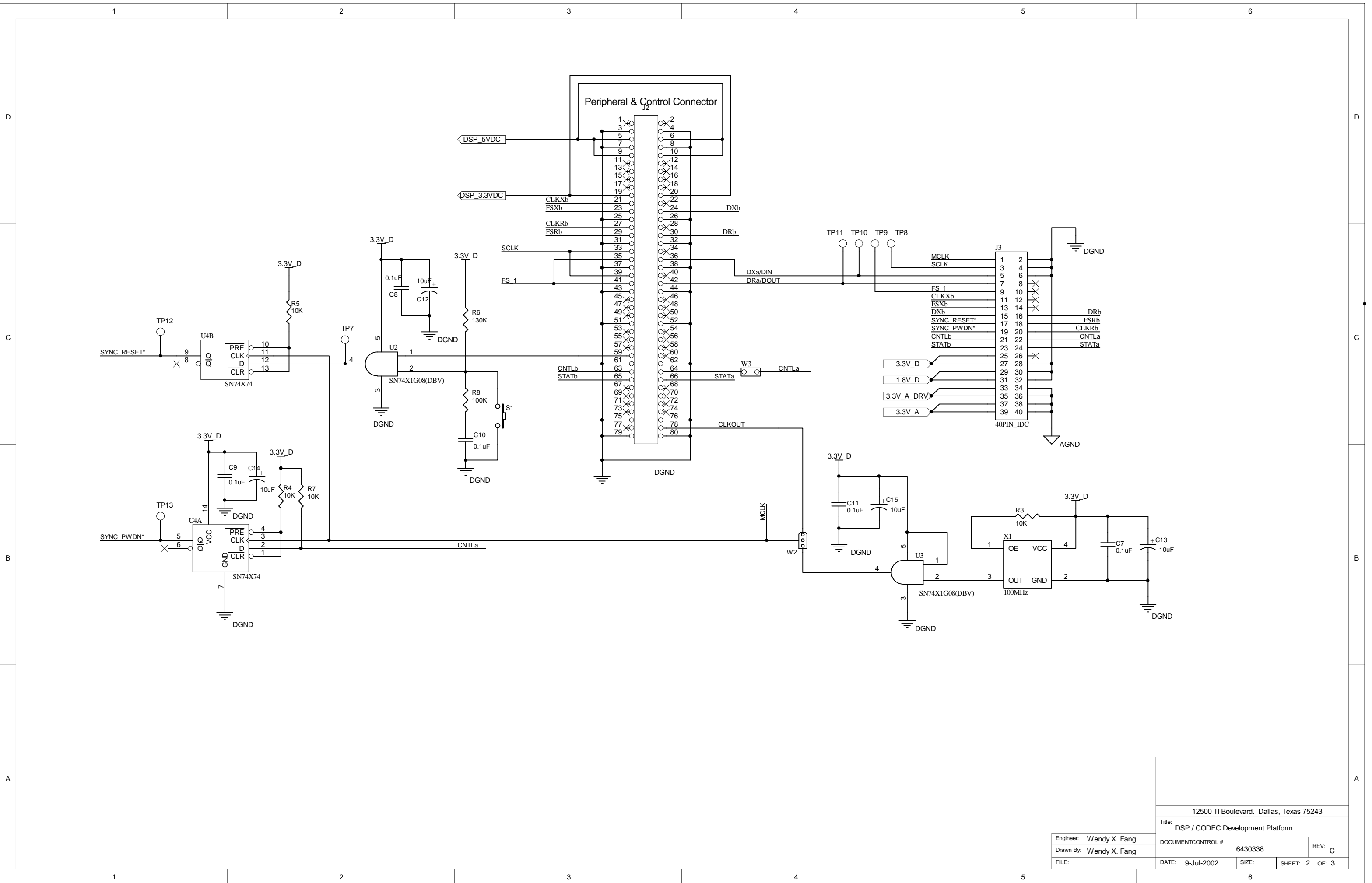
A

A

Revision History		
REV	ECN Number	Approved



12500 TI Boulevard. Dallas, Texas 75243		
Title: DSP / CODEC Development Platform		
Engineer: Wendy X. Fang	DOCUMENTCONTROL # 6430338	REV: C
Drawn By: Wendy X. Fang	DATE: 9-Jul-2002	SIZE: 6 SHEET: 3 OF: 3
FILE: Power		



12500 TI Boulevard, Dallas, Texas 75243			
Title: DSP / CODEC Development Platform			
Engineer: Wendy X. Fang	DOCUMENTCONTROL #	REV: C	
Drawn By: Wendy X. Fang	6430338	DATE: 9-Jul-2002	SIZE: SHEET: 2 OF: 3
FILE:			