

MATERIALS AND FINISHES

COUPLING NUT ZINC ALLOY
PLATED NICKEL

BODY, WASHER BRASS
PLATED NICKEL

CENTER CONTACT BRASS
PLATED GOLD

INSULATOR TEFLON

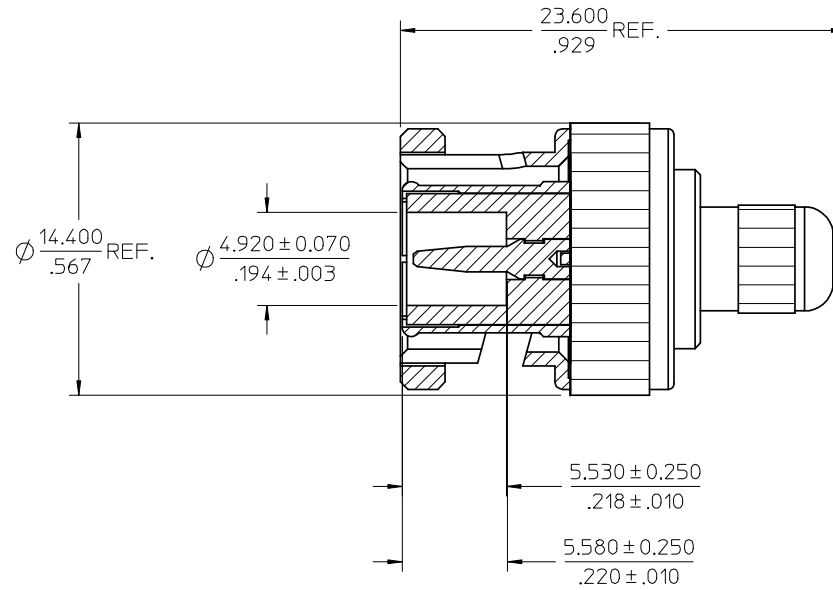
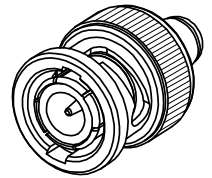
GASKET SILICONE RUBBER

WAVE WASHER BERYLLIUM COPPER
PLATED NICKEL

RESISTOR
75 OHMS ±1.0% 1/4 WATT

ELECTRICAL CHARACTERISTICS

RETURN LOSS ≤45 dB @ 5 MHZ
≤20 dB @ 100 MHZ



MIL-STD-348A, FIG. 301.1	INTERFACE
SPECIFICATION	DESCRIPTION

REDRAWING AND CHANGE
 RESISTOR ±1% WAS ±0.1%
 REF: UFF 2008-05-26

DRW: MELIN	2008/05/20
CHKD:	2008/05/26
APPR: MHIANG	2008/05/26
REV	DESCRIPTION

QUALITY SYMBOLS	GENERAL TOLERANCES (UNLESS SPECIFIED)
▽=0	mm INCH
▽=0	4 PLACES ± --- ± ---
	3 PLACES ± --- ± ---
	2 PLACES ± --- ± ---
	1 PLACE ± --- ± ---
	ANGULAR ± 2 °
	DRAFT WHERE APPLICABLE MUST REMAIN WITHIN DIMENSIONS

DIMENSION STYLE		SCALE	DESIGN UNITS	THIRD ANGLE PROJECTION
MM/IN			METRIC	
DRAWN BY	DATE	TITLE		
DENG	1992/12/28	BNC PLUG TERMINATOR 75 OHMS 1/4 WATT BNC-P		
CHECKED BY	DATE	APPROVED BY		
--	1992/12/28	DATE		
--	1992/12/28	MATERIAL NO.		
731697001		DOCUMENT NO.		
SD-73169-7001		SHEET NO.		
1 OF 1		THIS DRAWING CONTAINS INFORMATION THAT IS PROPRIETARY TO MOLEX INCORPORATED AND SHOULD NOT BE USED WITHOUT WRITTEN PERMISSION		

MATERIAL NO.		DOCUMENT NO.		SHEET NO.
731697001		SD-73169-7001		1 OF 1
THIS DRAWING CONTAINS INFORMATION THAT IS PROPRIETARY TO MOLEX INCORPORATED AND SHOULD NOT BE USED WITHOUT WRITTEN PERMISSION				