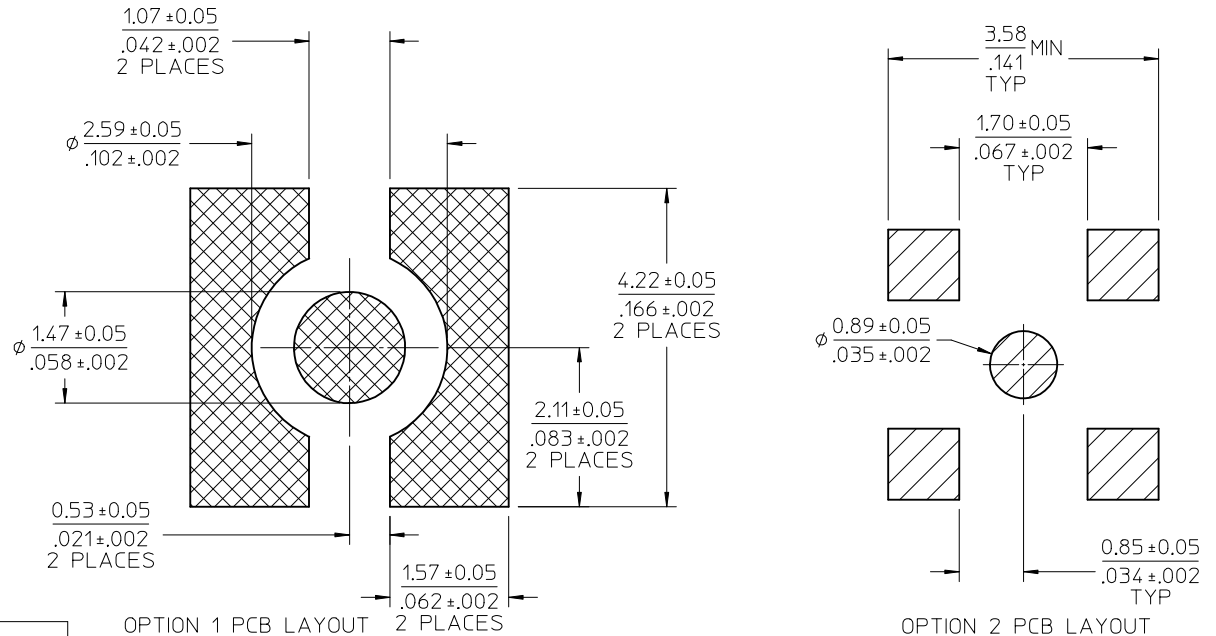
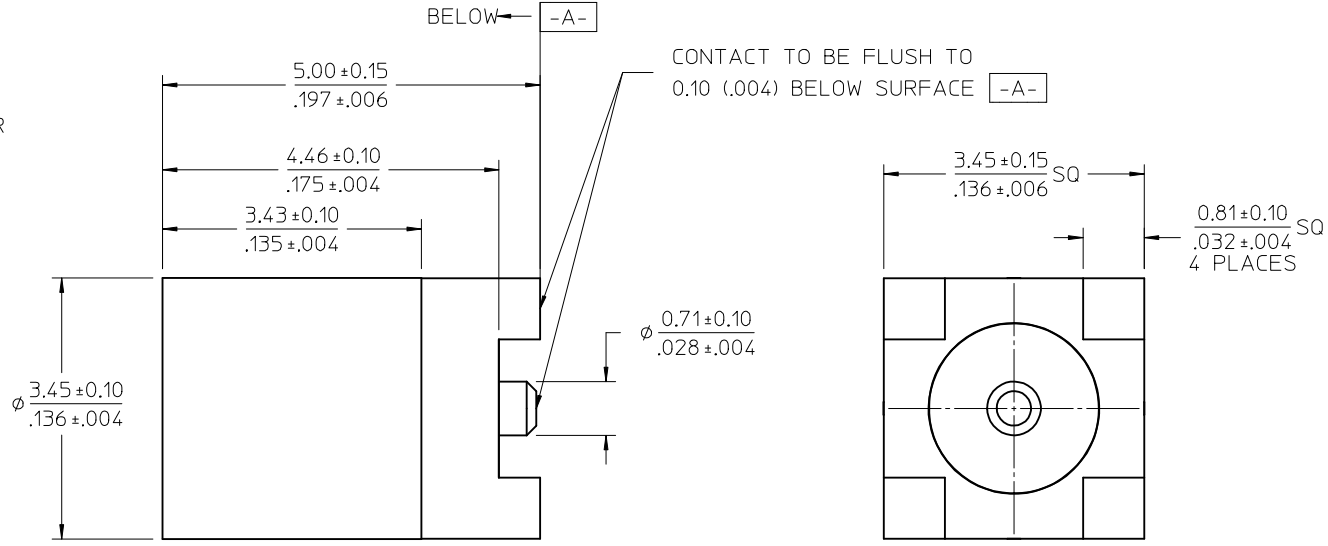
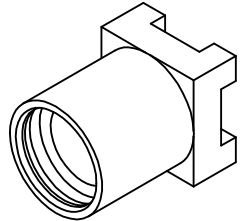


MATERIALS AND FINISHES

BODY BRASS
PLATED GOLD

CENTER CONTACT BERYLLIUM COPPER
PLATED GOLD

INSULATOR TEFLON



PS-89675-1920	ELECTRO/MECH PERFORM.
SPECIFICATION	DESCRIPTION

73415-2064	73415-2061. ONE PER BAG
73415-2063	73415-2061 WITH TAPE & REEL
73415-2062	73415-2060 WITH TAPE & REEL
73415-2061	PER COMMERCIAL REQUIREMENTS, PACKING TRAY
73415-2060	PER MILITARY REQUIREMENTS, PACKING TRAY
PART NO.	PLATING

OPTION 1 PCB LAYOUT

CHG:73415-2060-2061 PACKING UPDATE TO TRAY EWR RF15-E384	EC NO: URF2016-0367	2015/11/05
DRWN:YCHENG	2015/11/05	
CHKD:		
APPR:YCHENG		
REV	DESCRIPTION	

GENERAL TOLERANCES (UNLESS SPECIFIED)

	mm	INCH
4 PLACES	± .005	± .0002
3 PLACES	± .004	± .00015
2 PLACES	± .003	± .0001
1 PLACE	± .002	± .00005
0 PLACE	± .001	± .00002

ANGULAR ± 2 °

DRAFT WHERE APPLICABLE MUST REMAIN WITHIN DIMENSIONS

DIMENSION STYLE MM/IN

DRAWN BY	DATE
TEF	2000/04/18
CHECKED BY	DATE
SSS	2000/04/18
APPROVED BY	DATE
GMH	2000/04/18

MATERIAL NO. SEE TABLE

SCALE DESIGN UNITS METRIC

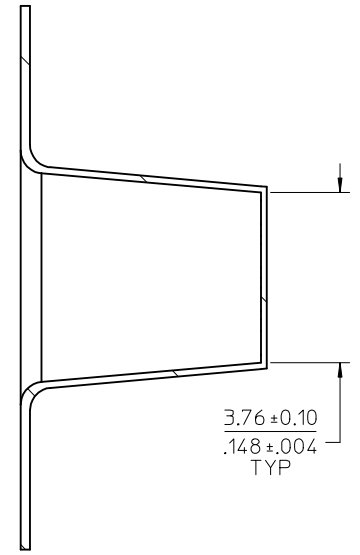
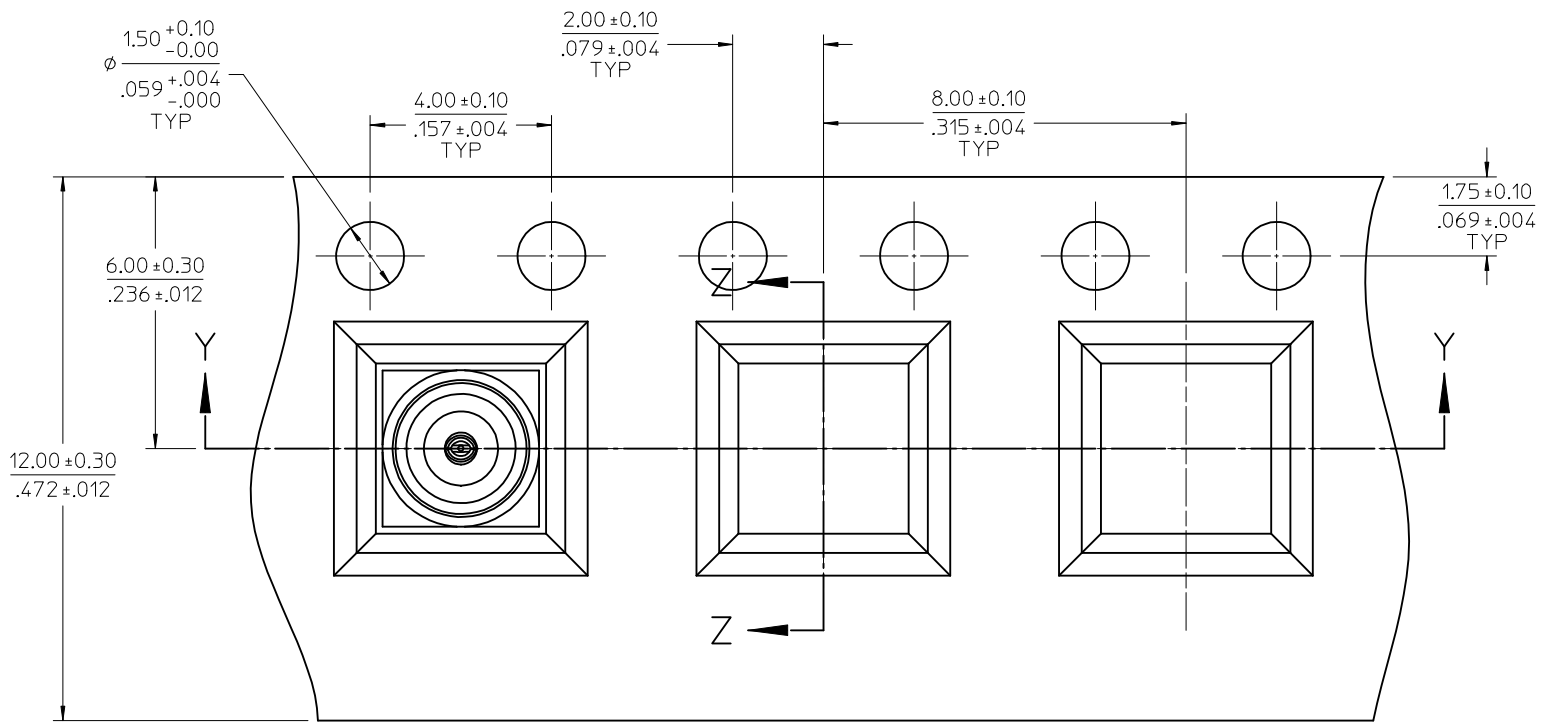
THIRD ANGLE PROJECTION

MMCX JACK, VERTICAL
PCB/SMT 50 OHMS
MMCX-J/PCB

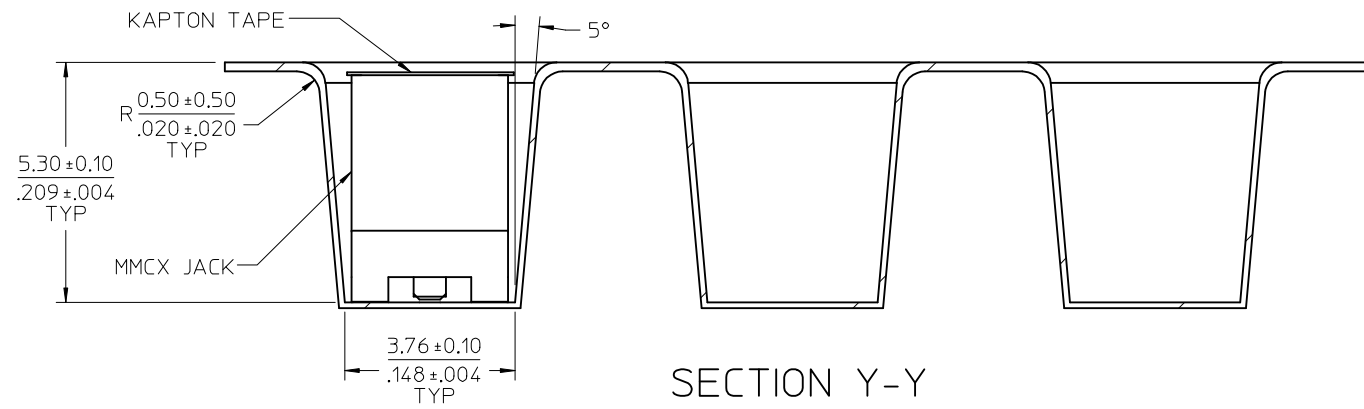
molex

DOCUMENT NO. SD-73415-206

SHEET NO. 1 OF 4



SECTION Z-Z



SECTION Y-Y

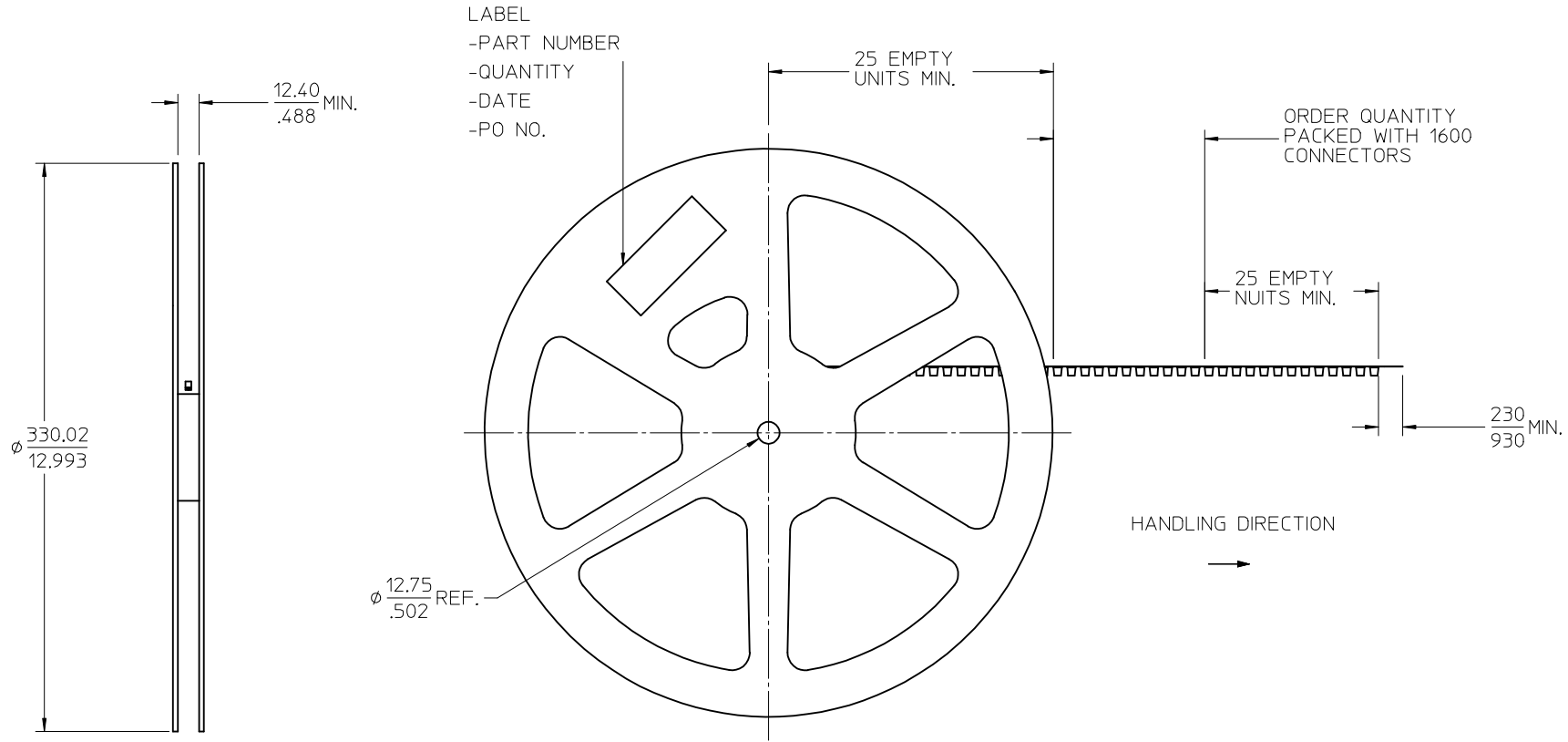
SEE SHEET 1	QUALITY SYMBOLS
EC NO: URF2016-0367	$\nabla = 0$
DRWN: YCHENG 2015/11/05	$\nabla = 0$
CHKD: YCHENG	$\nabla = 0$
APPR: YCHENG 2015/11/09	
REV	DESCRIPTION
B	

GENERAL TOLERANCES (UNLESS SPECIFIED)	
mm	INCH
4 PLACES \pm ---	\pm ---
3 PLACES \pm ---	\pm ---
2 PLACES \pm ---	\pm ---
1 PLACE \pm ---	\pm ---
0 PLACE \pm	\pm
ANGULAR $\pm 2^\circ$	
DRAFT WHERE APPLICABLE MUST REMAIN WITHIN DIMENSIONS	

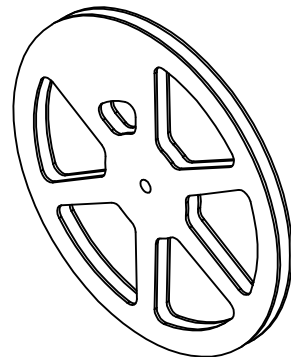
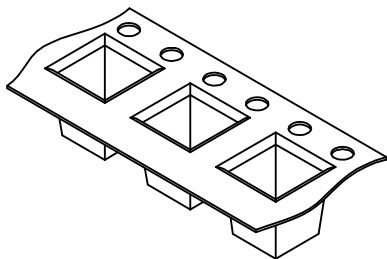
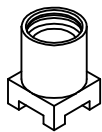
DIMENSION STYLE	
MM/IN	
DRAWN BY	DATE
TEF	2000/04/18
CHECKED BY	DATE
SSS	2000/04/18
APPROVED BY	DATE
GMH	2000/04/18
MATERIAL NO.	
SEE SHEET 1	
SIZE C	

SCALE	DESIGN UNITS	THIRD ANGLE PROJECTION
	METRIC	
TITLE		
MMCX JACK, VERTICAL		
PCB/SMT 50 OHMS		
MMCX-J/PCB		
molex		
DOCUMENT NO.	SHEET NO.	
SD-73415-206	2 OF 4	

NOTE:
13" REEL SIZE FOR 1600 PIECES

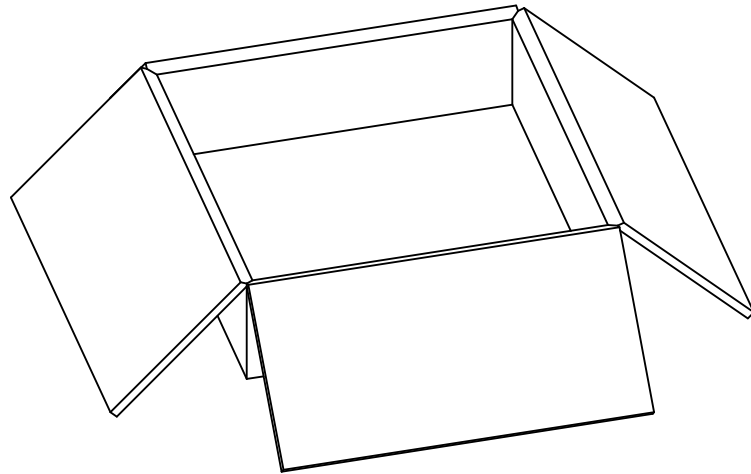


SEE SHEET 1 EC NO: URF2016-0367 DRAWN: YCHENG 2015/11/05 CHKD: APPR: YCHENG 2015/11/09	QUALITY SYMBOLS 	GENERAL TOLERANCES (UNLESS SPECIFIED)		DIMENSION STYLE MM/IN	SCALE	DESIGN UNITS METRIC	THIRD ANGLE PROJECTION
		4 PLACES ± --- ± --- 3 PLACES ± --- ± --- 2 PLACES ± --- ± --- 1 PLACE ± --- ± --- 0 PLACE ± ±	mm INCH ± --- ± --- ± --- ± --- ± --- ± --- ± --- ± --- ± ±	DRAWN BY TEF	DATE 2000/04/18	TITLE MMCX JACK, VERTICAL PCB/SMT 50 OHMS MMCX-J/PCB	MATERIAL NO. SEE SHEET 1
DRAFT WHERE APPLICABLE MUST REMAIN WITHIN DIMENSIONS		ANGULAR ± 2 °		THIS DRAWING CONTAINS INFORMATION THAT IS PROPRIETARY TO MOLEX INCORPORATED AND SHOULD NOT BE USED WITHOUT WRITTEN PERMISSION			



PART NO.
73415-2062/73415-2063

1600 SET PER 13" REEL



8000 CONNECTORS PER
OUTER CARTON BOX
339 X 339 X 100 REF.

SEE SHEET 1 EC NO: URF2016-0367 DRAWN: YCHENG 2015/11/05 CHKD: APPR: YCHENG 2015/11/09	QUALITY SYMBOLS	DESCRIPTION
REV		

GENERAL TOLERANCES (UNLESS SPECIFIED)	
	mm INCH
4 PLACES	± --- ± ---
3 PLACES	± --- ± ---
2 PLACES	± --- ± ---
1 PLACE	± --- ± ---
0 PLACE	± ±
ANGULAR ± 2 °	
DRAFT WHERE APPLICABLE MUST REMAIN WITHIN DIMENSIONS	

DIMENSION STYLE	
MM/IN	
DRAWN BY	DATE
TEF	2000/04/18
CHECKED BY	DATE
SSS	2000/04/18
APPROVED BY	DATE
GMH	2000/04/18
MATERIAL NO.	
SEE SHEET 1	

SCALE	DESIGN UNITS	THIRD ANGLE PROJECTION
	METRIC	
TITLE		
MMCX JACK, VERTICAL PCB/SMT 50 OHMS MMCX-J/PCB		
molex		
DOCUMENT NO.	SHEET NO.	
SD-73415-206	4 OF 4	
THIS DRAWING CONTAINS INFORMATION THAT IS PROPRIETARY TO MOLEX INCORPORATED AND SHOULD NOT BE USED WITHOUT WRITTEN PERMISSION		