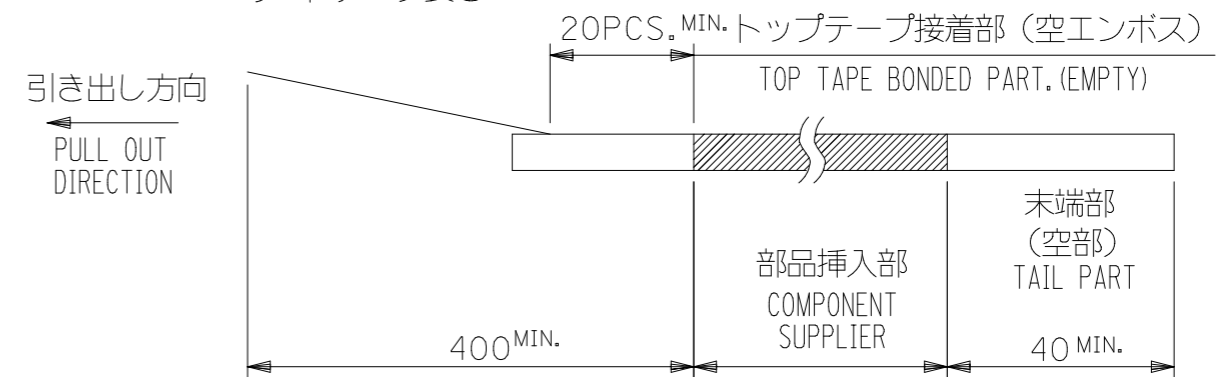


NOTES

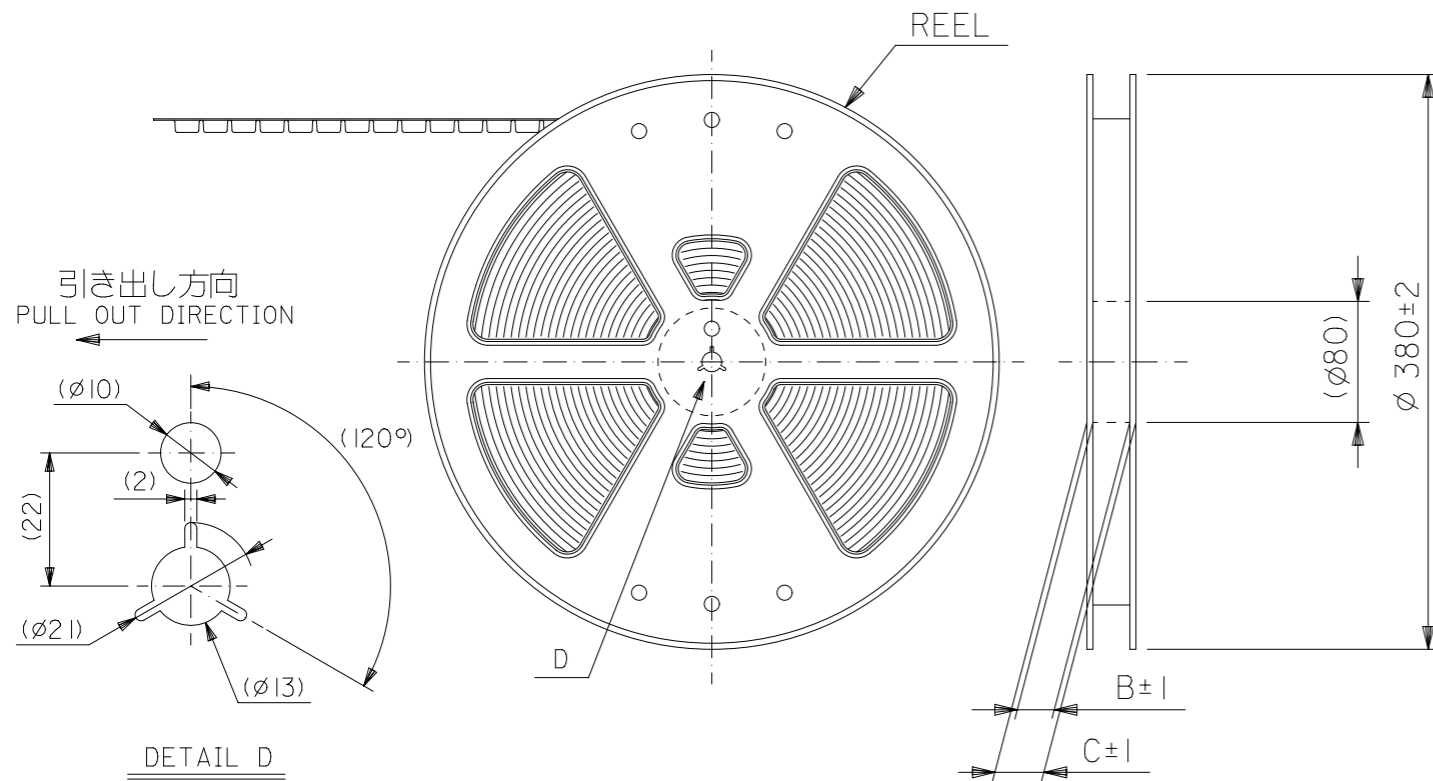
- 製品詳細寸法については製品単体図面を参照下さい。
DETAIL DIMENSIONS, SEE PRODUCT DRAWING.
- 梱包数量：2500個/リール
NUMBER OF CONNECTORS : 2500PCS/REEL
- リードテープ長さ LEAD TAPE LENGTH



- 材料 MATERIAL
キャリアテープ (CARRIER TAPE) : POLYSTYRENE (PS)
トップテープ (TOPTAPE) : PET
リール (REEL) : ポリスチレン (PS) <リサイクル材を含む>
POLYSTYRENE (PS) <RECYCLE MATERIAL CONTAINED>

- ELV 及び RoHS 適合品。
ELV AND RoHS COMPLIANT.

6. THIS DRAWING IS RE-DRAWING OF SD-55909-004 REV.J

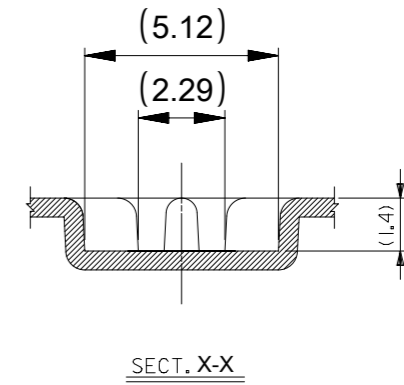
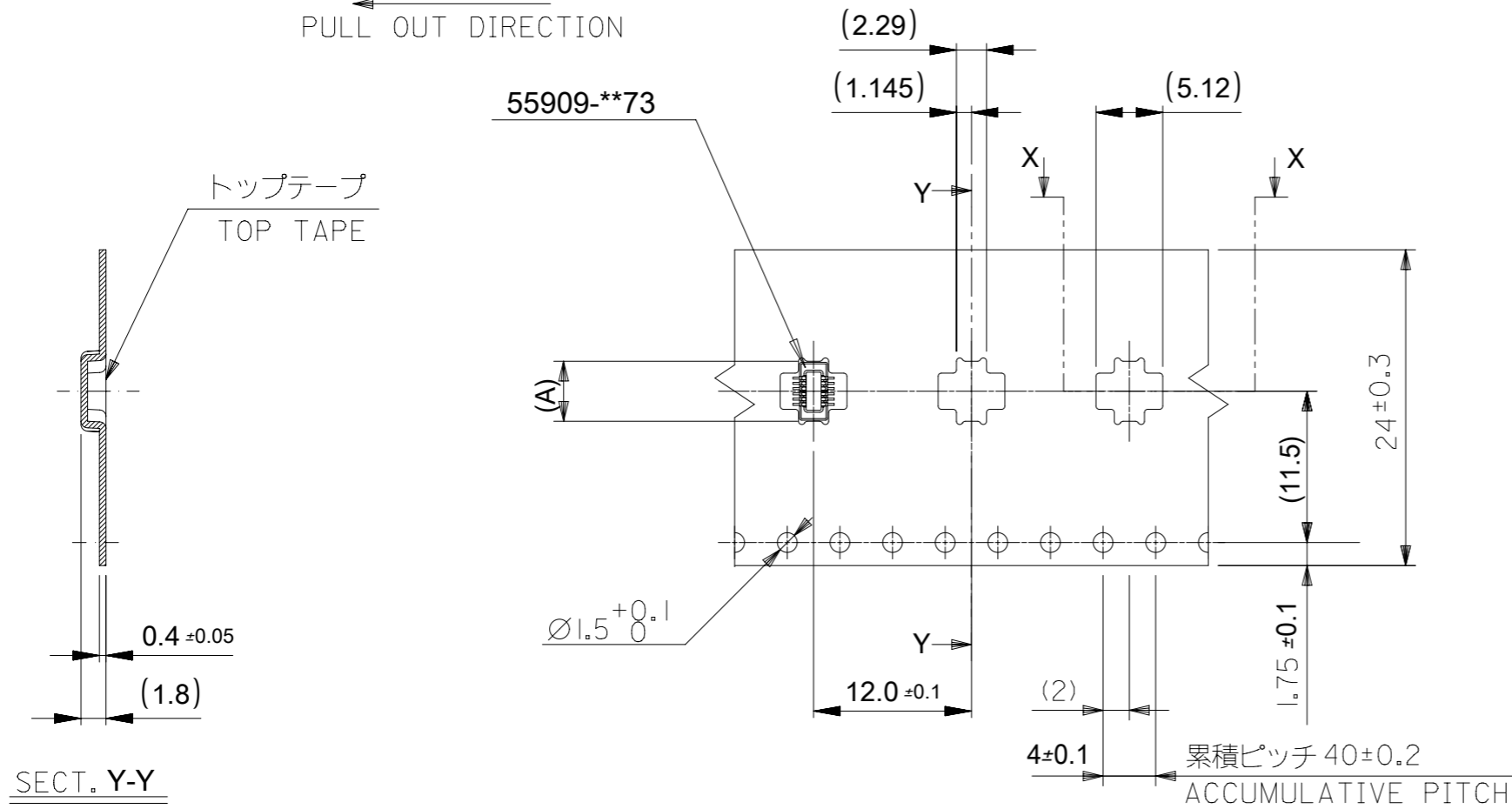


DETAIL D

CONNECTOR SERIES No. 55909-**73

THIS DRAWING CONTAINS INFORMATION THAT IS PROPRIETARY TO MOLEX ELECTRONIC TECHNOLOGIES, LLC AND SHOULD NOT BE USED WITHOUT WRITTEN PERMISSION		CURRENT REV DESC:		molex		
DIMENSION UNITS	SCALE					
mm	NTS			PRODUCT CUSTOMER DRAWING		
GENERAL TOLERANCES (UNLESS SPECIFIED)		EC NO: 638555		DOCUMENT NUMBER		
ANGULAR TOL ± 1.0°		DRWN: BKBAE 2020/05/15		559090074		
4 PLACES ± 0.1		CHK'D: SHCHU 2020/05/29		DOC TYPE DOC PART REVISION		
3 PLACES ± 0.1		APPR: SHCHU 2020/06/01		PSD 000 B		
2 PLACES ± 0.1		INITIAL REVISION:		MATERIAL NUMBER		
1 PLACE ± 0.1		DRWN: JHCHANG 2017/11/13		CUSTOMER		
0 PLACES ± 0.1		APPR: YSKIM02 2018/10/09		GENERAL		
DRAFT WHERE APPLICABLE MUST REMAIN WITHIN DIMENSIONS		THIRD ANGLE PROJECTION	DRAWING	SERIES	MATERIAL NUMBER	SHEET NUMBER
			A3-SIZE	55909	SEE CHART	1 OF 5

引き出し方向
PULL OUT DIRECTION

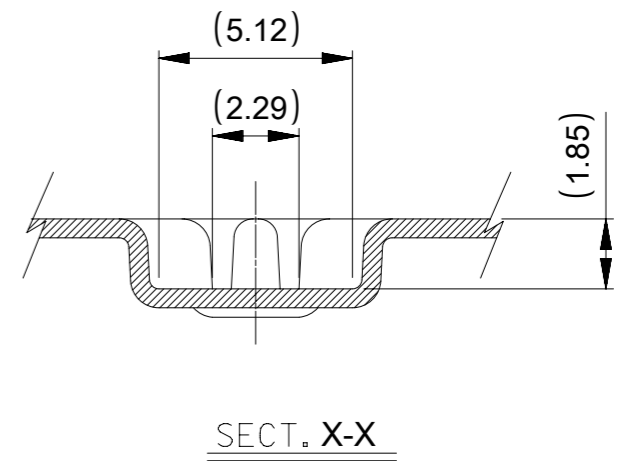
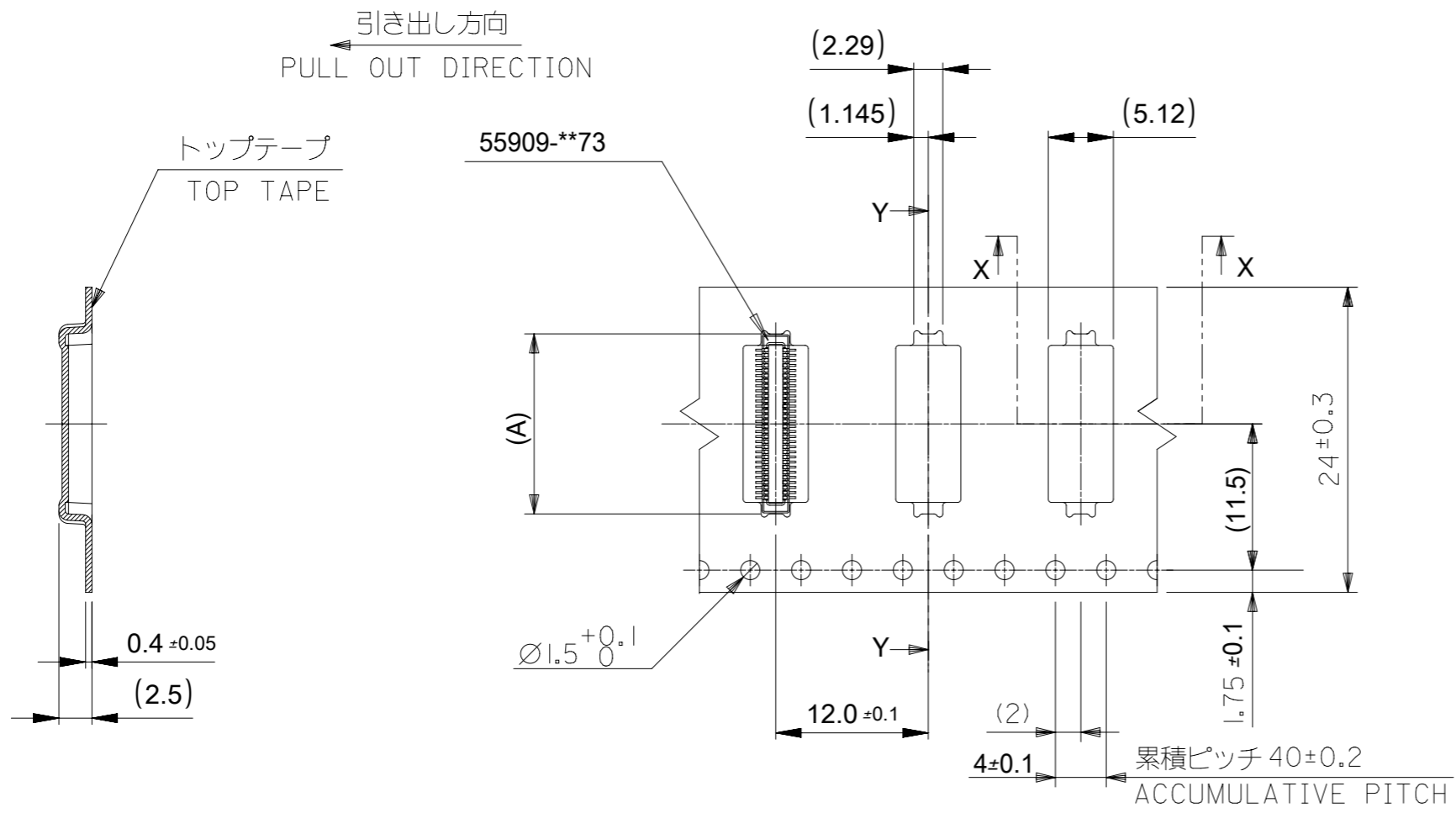


注記)製品がポケット内に問題なく収まること。
NOTE. Pocket should contain product smoothly.

24	29.4	25.4	5.36	55909-1674	16
			4.56	55909-9974	12
			4.16	55909-9872	10
キャリアテープ幅 CARRIER TAPE WIDTH	C	B	(A)	MATERIAL NO.	CKT.

CONNECTOR SERIES No. 55909-**73

THIS DRAWING CONTAINS INFORMATION THAT IS PROPRIETARY TO MOLEX ELECTRONIC TECHNOLOGIES, LLC AND SHOULD NOT BE USED WITHOUT WRITTEN PERMISSION		CURRENT REV DESC:		molex		
DIMENSION UNITS	SCALE					
mm	NTS			0.4 B-TO-B CONN. H = 1.5 / 1.8 J-BEND PLUG		
GENERAL TOLERANCES (UNLESS SPECIFIED)				PRODUCT CUSTOMER DRAWING		
ANGULAR TOL	± 1.0 °			DOCUMENT NUMBER		
4 PLACES	± 0.1	EC NO: 638555		559090074		
3 PLACES	± 0.1	DRWN: BKBAE 2020/05/15		DOC TYPE	DOC PART	REVISION
2 PLACES	± 0.1	CHK'D: SHCHU 2020/05/29		PSD	000	B
1 PLACE	± 0.1	APPR: SHCHU 2020/06/01		SHEET NUMBER		
0 PLACES	± 0.1	INITIAL REVISION:		2 OF 5		
DRAFT WHERE APPLICABLE MUST REMAIN WITHIN DIMENSIONS		THIRD ANGLE PROJECTION	DRAWING	SERIES	MATERIAL NUMBER	CUSTOMER
			A3-SIZE	55909	SEE CHART	GENERAL

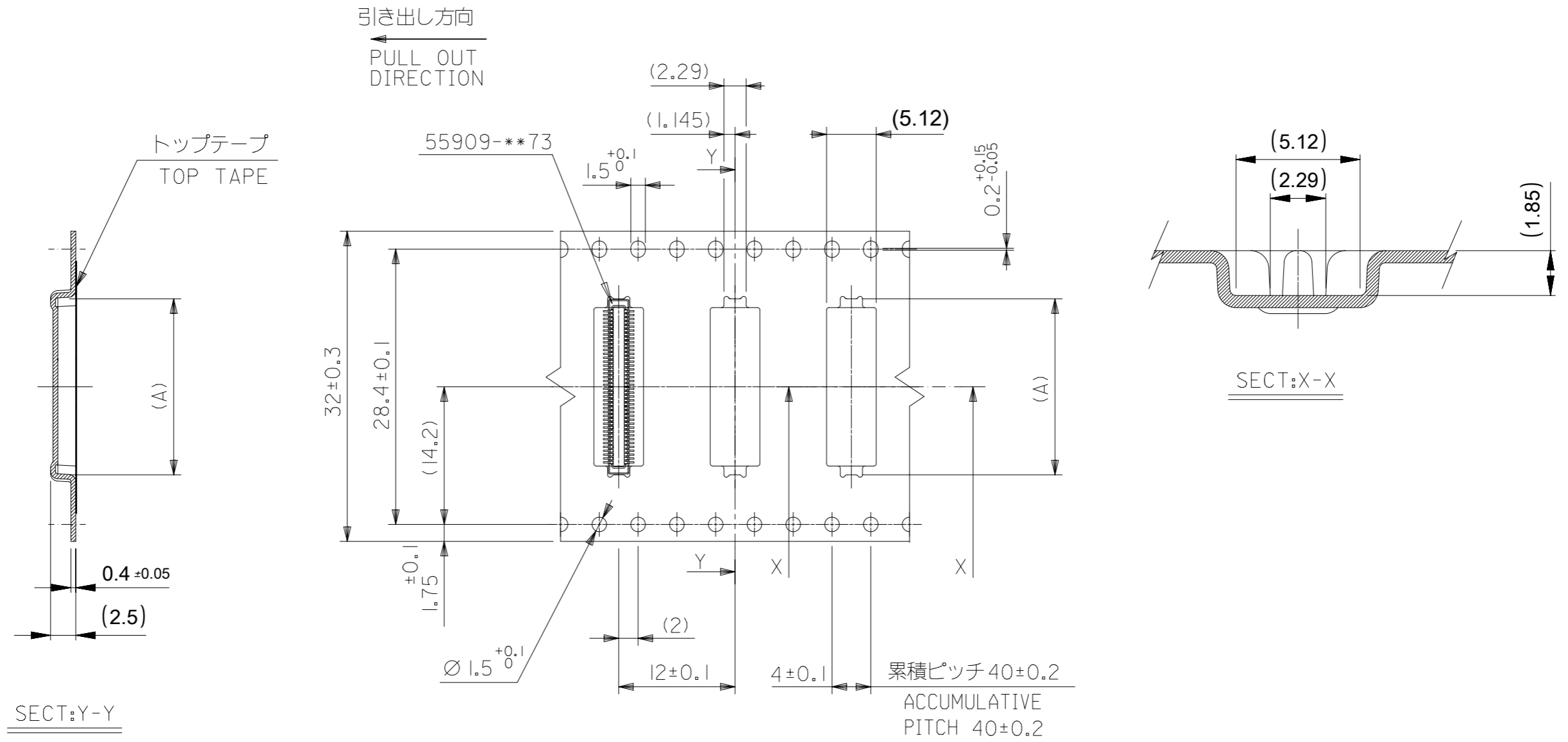


注記)製品がポケット内に問題なく収まること。
NOTE. Pocket should contain product smoothly.

24	29.4	25.4	14.96	55909-6472	64		
			14.16	55909-0674	60		
			12.96	55909-5472	54		
			12.16	55909-0574	50		
			10.96	55909-4472	44		
			10.16	55909-0474	40		
			8.96	55909-3474	34		
			8.16	55909-0374	30		
			7.36	55909-2674	26		
			6.96	55909-2474	24		
			6.56	55909-2274	22		
6.16	55909-0274	20					
キャリアテープ幅 CARRIER TAPE WIDTH			C	B	(A)	MATERIAL NO.	CKT.

CONNECTOR SERIES No. 55909-**73

THIS DRAWING CONTAINS INFORMATION THAT IS PROPRIETARY TO MOLEX ELECTRONIC TECHNOLOGIES, LLC AND SHOULD NOT BE USED WITHOUT WRITTEN PERMISSION		CURRENT REV DESC:		molex	
DIMENSION UNITS	SCALE				
mm	NTS			0.4 B-TO-B CONN. H = 1.5 / 1.8 J-BEND PLUG	
GENERAL TOLERANCES (UNLESS SPECIFIED)				PRODUCT CUSTOMER DRAWING	
ANGULAR TOL	± 1.0 °			DOCUMENT NUMBER	
4 PLACES	± 0.1	EC NO: 638555	2020/05/15	559090074	
3 PLACES	± 0.1	DRWN: BKBAE	2020/05/29	DOC TYPE	DOC PART
2 PLACES	± 0.1	CHK'D: SHCHU	2020/06/01	PSD	000
1 PLACE	± 0.1	APPR: SHCHU		REVISION	B
0 PLACES	± 0.1	INITIAL REVISION:			
DRAFT WHERE APPLICABLE MUST REMAIN WITHIN DIMENSIONS		DRWN: JHCHANG	2017/11/13		
THIRD ANGLE PROJECTION		APPR: YSKIM02	2018/10/09		
DRAWING		SERIES	MATERIAL NUMBER	CUSTOMER	
A3-SIZE		55909	SEE CHART	GENERAL	
				SHEET NUMBER	
				3 OF 5	



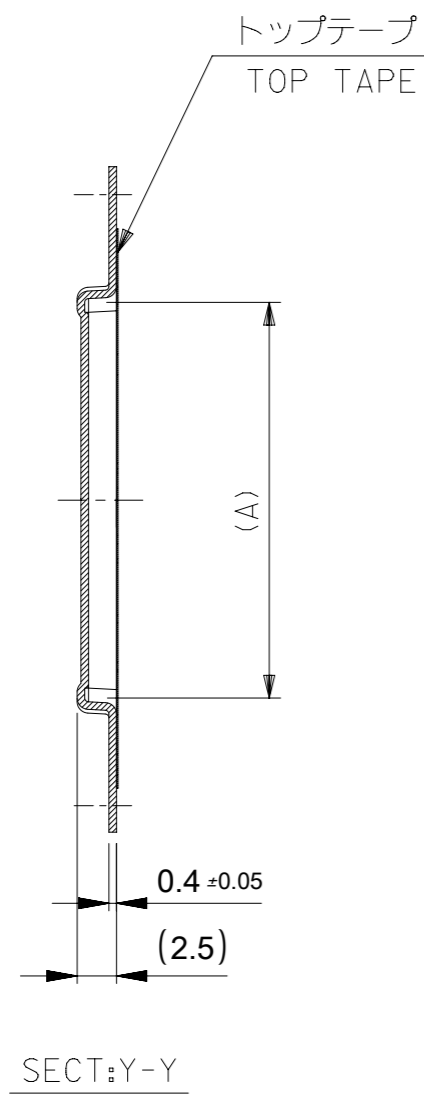
32mm幅キャリアテープ
32mm WIDTH CARRIER TAPE

注記)製品がポケット内に問題なく収まること。
NOTE. Pocket should contain product smoothly.

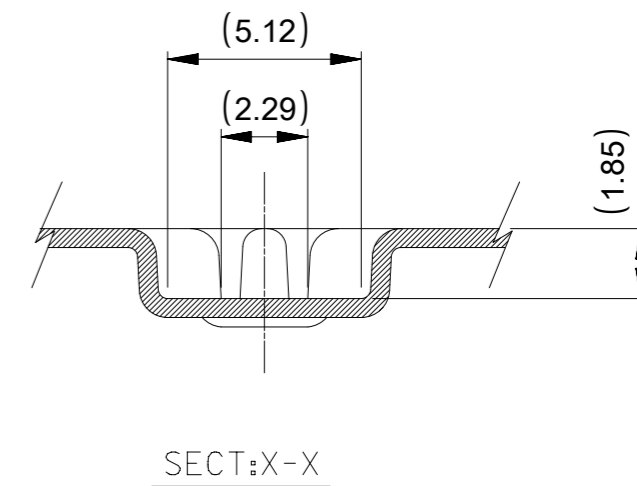
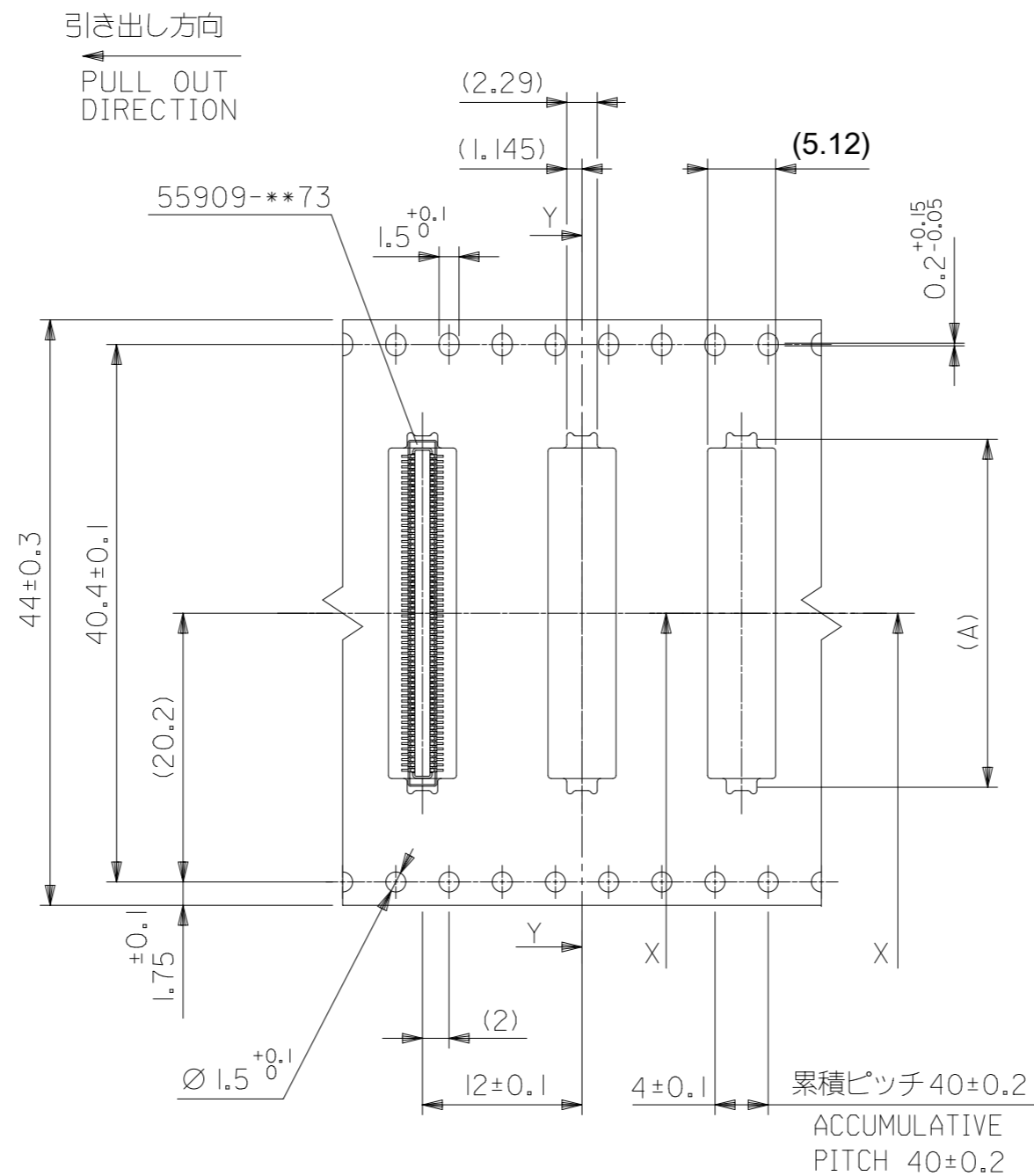
32	37.4	33.4	19.16	55909-0974	90
			18.16	55909-0874	80
			16.16	55909-0774	70
キャリアテープ幅 CARRIER TAPE WIDTH	C	B	(A)	MATERIAL NO.	極数 CKT.

CONNECTOR SERIES No. 55909-**-73

THIS DRAWING CONTAINS INFORMATION THAT IS PROPRIETARY TO MOLEX ELECTRONIC TECHNOLOGIES, LLC AND SHOULD NOT BE USED WITHOUT WRITTEN PERMISSION		CURRENT REV DESC:		molex		
DIMENSION UNITS	SCALE					
mm	NTS			PRODUCT CUSTOMER DRAWING		
GENERAL TOLERANCES (UNLESS SPECIFIED)		EC NO: 638555		DOCUMENT NUMBER		
ANGULAR TOL ± 1.0°		DRWN: BKBAE 2020/05/15		559090074		
4 PLACES ± 0.1		CHK'D: SHCHU 2020/05/29		DOC TYPE DOC PART REVISION		
3 PLACES ± 0.1		APPR: SHCHU 2020/06/01		PSD 000 B		
2 PLACES ± 0.1		INITIAL REVISION:		MATERIAL NUMBER CUSTOMER SHEET NUMBER		
1 PLACE ± 0.1		DRWN: JHCHANG 2017/11/13		SEE CHART GENERAL 4 OF 5		
0 PLACES ± 0.1		APPR: YSKIM02 2018/10/09				
DRAFT WHERE APPLICABLE MUST REMAIN WITHIN DIMENSIONS		THIRD ANGLE PROJECTION	DRAWING	SERIES		
			A3-SIZE	55909		



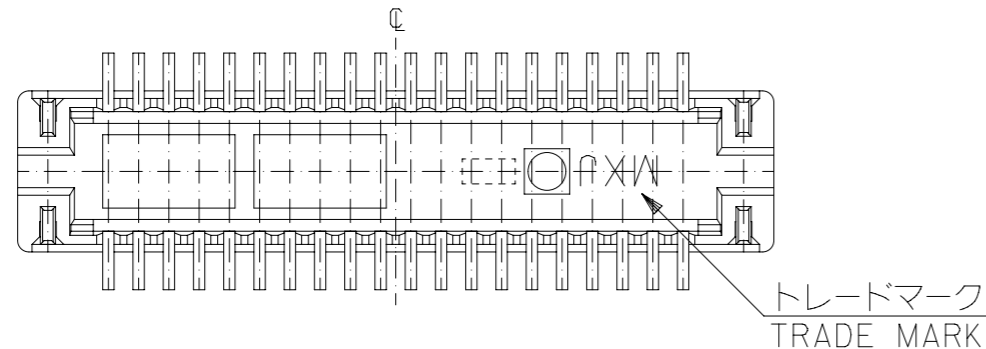
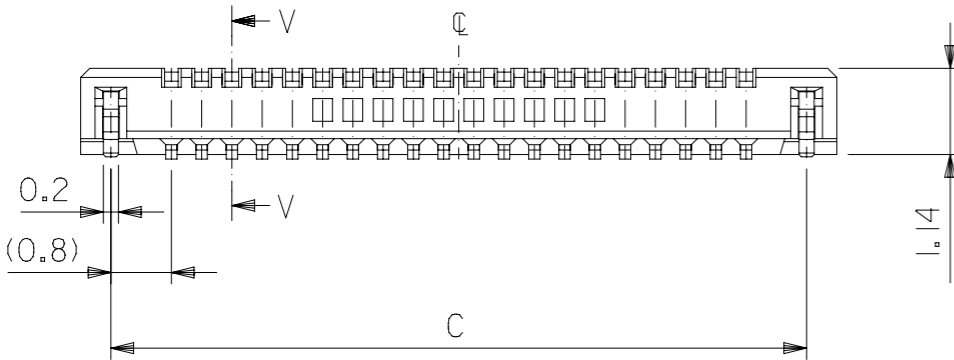
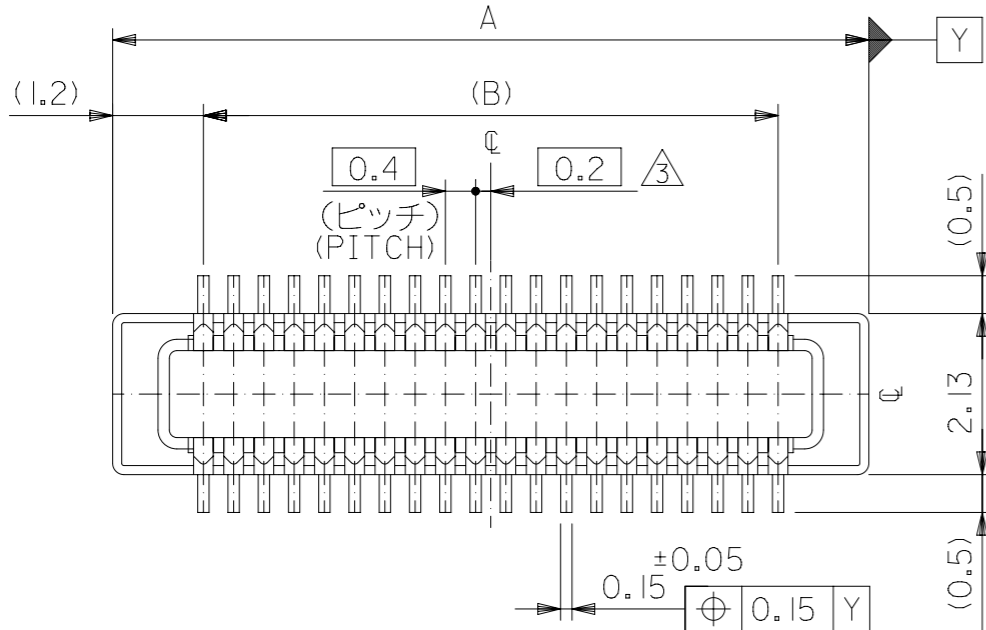
44mm幅キャリアテープ
44mm WIDTH CARRIER TAPE



注記)製品がポケット内に問題なく収まること。
NOTE: Pocket should contain product smoothly.

44	49.4	45.4	22.16	55909-1074	100
キャリアテープ幅 CARRIER TAPE WIDTH	C	B	(A)	MATERIAL NO.	極数 CKT.
CONNECTOR SERIES No.55909-***73					

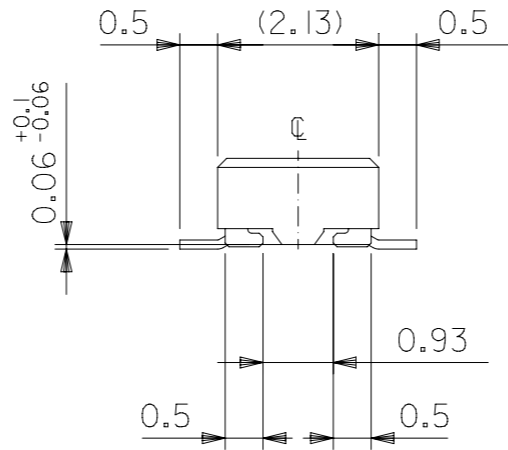
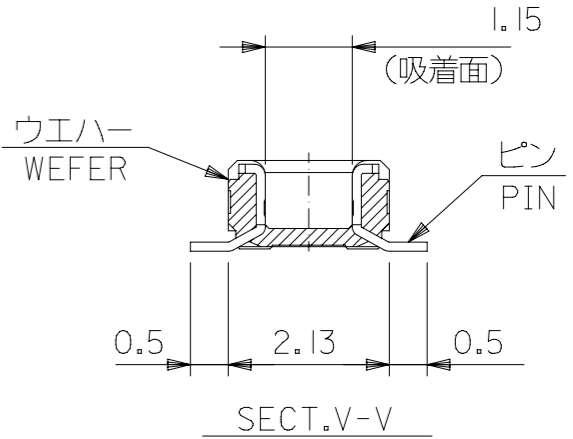
THIS DRAWING CONTAINS INFORMATION THAT IS PROPRIETARY TO MOLEX ELECTRONIC TECHNOLOGIES, LLC AND SHOULD NOT BE USED WITHOUT WRITTEN PERMISSION		CURRENT REV DESC:		molex	
DIMENSION UNITS	SCALE				
mm	NTS			PRODUCT CUSTOMER DRAWING	
GENERAL TOLERANCES (UNLESS SPECIFIED)		EC NO: 638555		DOCUMENT NUMBER	
ANGULAR TOL ± 1.0°		DRWN: BKBAE 2020/05/15		559090074	
4 PLACES ± 0.1		CHK'D: SHCHU 2020/05/29		DOC TYPE DOC PART REVISION	
3 PLACES ± 0.1		APPR: SHCHU 2020/06/01		PSD 000 B	
2 PLACES ± 0.1		INITIAL REVISION:			
1 PLACE ± 0.1		DRWN: JHCHANG 2017/11/13			
0 PLACES ± 0.1		APPR: YSKIM02 2018/10/09			
DRAFT WHERE APPLICABLE MUST REMAIN WITHIN DIMENSIONS		THIRD ANGLE PROJECTION	DRAWING	SERIES	MATERIAL NUMBER
			A3-SIZE	55909	SEE CHART
				CUSTOMER	SHEET NUMBER
				GENERAL	5 OF 5



注記 NOTES:

1. 使用材料 MATERIAL
 ウエハー：液晶ポリマー (LCP) ガラス充填 UL94V-0 (黒)
 WAFER: LIQUID CRYSTAL POLYMER (GLASS FILLED)
 UL94V-0 (COLOR:BLACK)
 ピン：黄銅 (t=0.12)
 PIN: BRASS (t=0.12)
 金具：リン青銅 (t=0.2)
 FITTING NAIL: PHOSPHOR BRONZE (t=0.2)
2. メッキ仕様 PLATING
 ピン PIN
 金メッキ 0.2 マイクロメートル以上 (コンタクト部)
 GOLD 0.2MICROMETER MINIMUM (CONTACT AREA)
 金メッキ 0.4 マイクロメートル以下 (テール部)
 GOLD 0.4MICROMETER MAXIMUM (TAIL AREA)
 下地メッキ：ニッケルメッキ 1.5 マイクロメートル以上
 UNDER PLATING : NICKEL 1.5MICROMETER MINIMUM
 金具 FITTING NAIL
 錫メッキ 1.0 マイクロメートル以上
 TIN PLATING 1.0MICROMETER MINIMUM
 下地メッキ：ニッケルメッキ 1.0 マイクロメートル以上
 UNDER PLATING : NICKEL 1.0MICROMETER MINIMUM

3. (全極数/2) = 偶数の場合に適用。
 APPLY FOR (CIRCUIT/2)=EVEN.
4. 嵌合相手 :51338シリーズ (嵌合高さ = 1.5mm) 及び
 500913シリーズ (嵌合高さ = 1.8mm)
 MATE WITH : 51338 SERIES (HEIGHT = 1.5mm) AND
 500913 SERIES (HEIGHT = 1.8mm)
5. テール平坦度は、0.08以下
 テール及び金具の平坦度は、0.1以下
 TAIL COPLANARITY TO BE 0.08MAXIMUM
 TAIL AND FITTING NAIL
 COPLANARITY TO BE 0.1 MAXIMUM
6. 本製品は 55909-***3 の鉛フリー品である。
 THIS PRODUCT IS LEAD FREE OF 55909-***3



21.2	19.6	22.0	55909-1074	100
19.2	17.6	20.0	55909-0974	90
17.2	15.6	18.0	55909-0874	80
15.2	13.6	16.0	55909-0774	70
14.0	12.4	14.8	55909-6472	64
13.2	11.6	14.0	55909-0674	60
12.0	10.4	12.8	55909-5472	54
11.2	9.6	12.0	55909-0574	50
10.0	8.4	10.8	55909-4472	44
9.2	7.6	10.0	55909-0474	40
8.0	6.4	8.8	55909-3474	34
7.2	5.6	8.0	55909-0374	30
6.4	4.8	7.2	55909-2674	26
6.0	4.4	6.8	55909-2474	24
5.6	4.0	6.4	55909-2274	22
5.2	3.6	6.0	55909-0274	20
4.4	2.8	5.2	55909-1674	16
3.6	2.0	4.4	55909-9974	12
3.2	1.6	4.0	55909-9872	10
C	B	A	EMBOSSED TAPE PKG.	CKT.
CONNECTOR SERIES NO.			55909-***73	
			ORDER No. オーダー番号	

GENERAL TOLERANCES (UNLESS SPECIFIED)	
10 UNDER	±0.2
10 OVER 30 UNDER	±0.25
30 OVER	±0.3

THIS DRAWING CONTAINS INFORMATION THAT IS PROPRIETARY TO MOLEX ELECTRONIC TECHNOLOGIES, LLC AND SHOULD NOT BE USED WITHOUT WRITTEN PERMISSION

DIMENSION UNITS	SCALE	CURRENT REV DESC:		
mm	NTS			
GENERAL TOLERANCES (UNLESS SPECIFIED)		EC NO: 638555		
ANGULAR TOL ± 0.5°		DRWN: BKBAE 2020/05/15		
4 PLACES ±		CHK'D: SHCHU 2020/05/29		
3 PLACES ±		APPR: SHCHU 2020/06/01		
2 PLACES ±		INITIAL REVISION:		
1 PLACE ±		DRWN: HSHIMABUKURO 2004/03/31		
0 PLACES ±		APPR: MSASAO 2004/04/02		
DRAFT WHERE APPLICABLE MUST REMAIN WITHIN DIMENSIONS		THIRD ANGLE PROJECTION	DRAWING	SERIES
			A3-SIZE	55909
		MATERIAL NUMBER	CUSTOMER	SHEET NUMBER
		SEE CHART	GENERAL MARKET	1 OF 2

molex

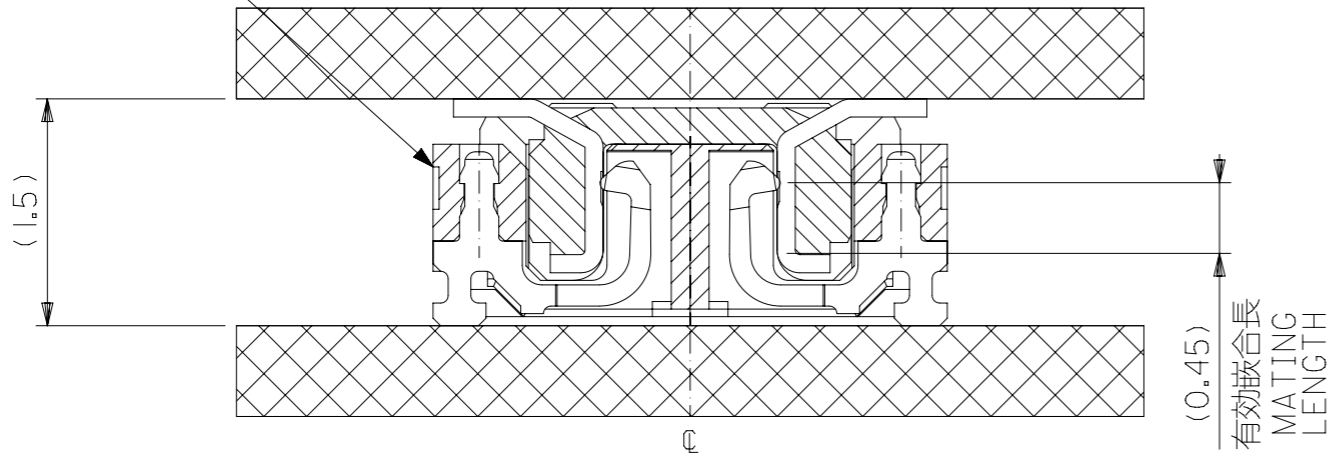
0.4 B-TO-B CONN. H = 1.5 / 1.8
J-BEND PLUG

PRODUCT CUSTOMER DRAWING

DOCUMENT NUMBER: SD-55909-003
DOC TYPE: PSD
DOC PART: 001
REVISION: H

MATE : 55909 WITH 51338

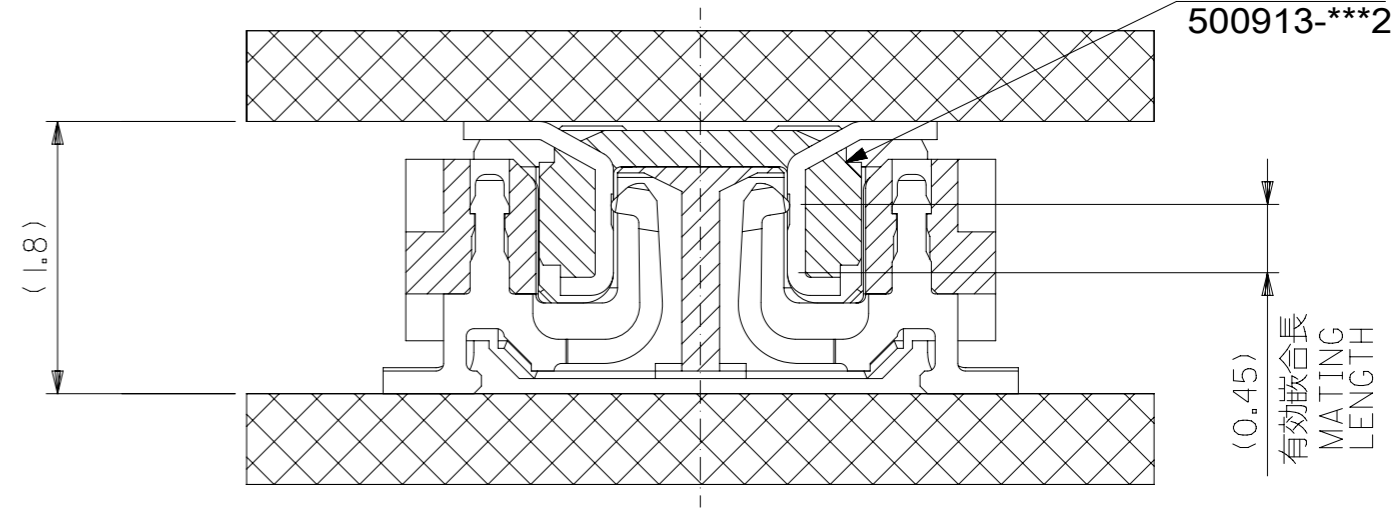
嵌合相手
MATE WITH
51338-****



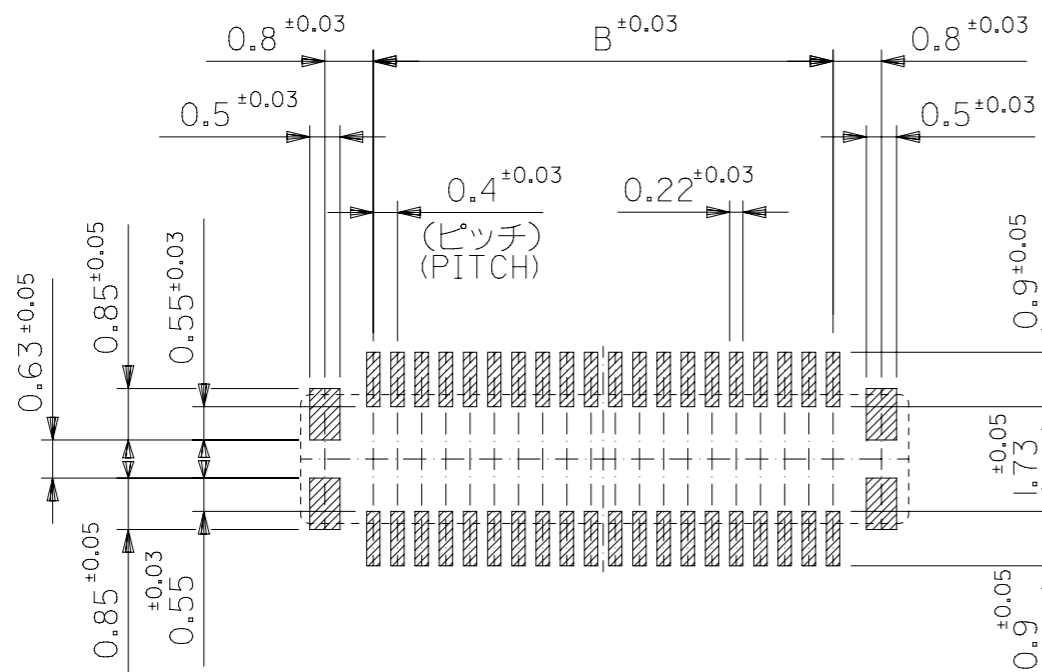
嵌合断面図 (参考)
MATED DRAWING (REFERENCE)

MATE : 55909 WITH 500913

嵌合相手
MATE WITH
500913-***2



嵌合断面図 (参考)
MATED DRAWING (REFERENCE)



参考基板レイアウト (マウント面)
P.C.BOARD PATTERN DIMENSION.
(REFERENCE)
(MOUNTING AREA)

THIS DRAWING CONTAINS INFORMATION THAT IS PROPRIETARY TO MOLEX ELECTRONIC TECHNOLOGIES, LLC AND SHOULD NOT BE USED WITHOUT WRITTEN PERMISSION		CURRENT REV DESC:		molex	
DIMENSION UNITS	SCALE				
mm	NTS			0.4 B-TO-B CONN. H = 1.5 / 1.8 J-BEND PLUG	
GENERAL TOLERANCES (UNLESS SPECIFIED)		EC NO: 638555		PRODUCT CUSTOMER DRAWING	
ANGULAR TOL ± 0.5°		DRWN: BKBAE		DOCUMENT NUMBER	
4 PLACES ±		2020/05/15		SD-55909-003	
3 PLACES ±		2020/05/29		DOC TYPE DOC PART REVISION	
2 PLACES ±		CHK'D: SHCHU		PSD 001 H	
1 PLACE ±		APPR: SHCHU		MATERIAL NUMBER	
0 PLACES ±		INITIAL REVISION:		CUSTOMER	
DRAFT WHERE APPLICABLE MUST REMAIN WITHIN DIMENSIONS		DRWN: HSHIMABUKURO		GENERAL MARKET	
THIRD ANGLE PROJECTION		2004/03/31		SHEET NUMBER	
DRAWING		2004/04/02		2 OF 2	
A3-SIZE		SERIES			
55909		MATERIAL NUMBER			
SEE CHART1		CUSTOMER			

GENERAL TOLERANCES (UNLESS SPECIFIED)		
10 ^{UNDER}	±0.2	
10 ^{OVER} 30 ^{UNDER}	±0.25	
30 ^{OVER}	±0.3	