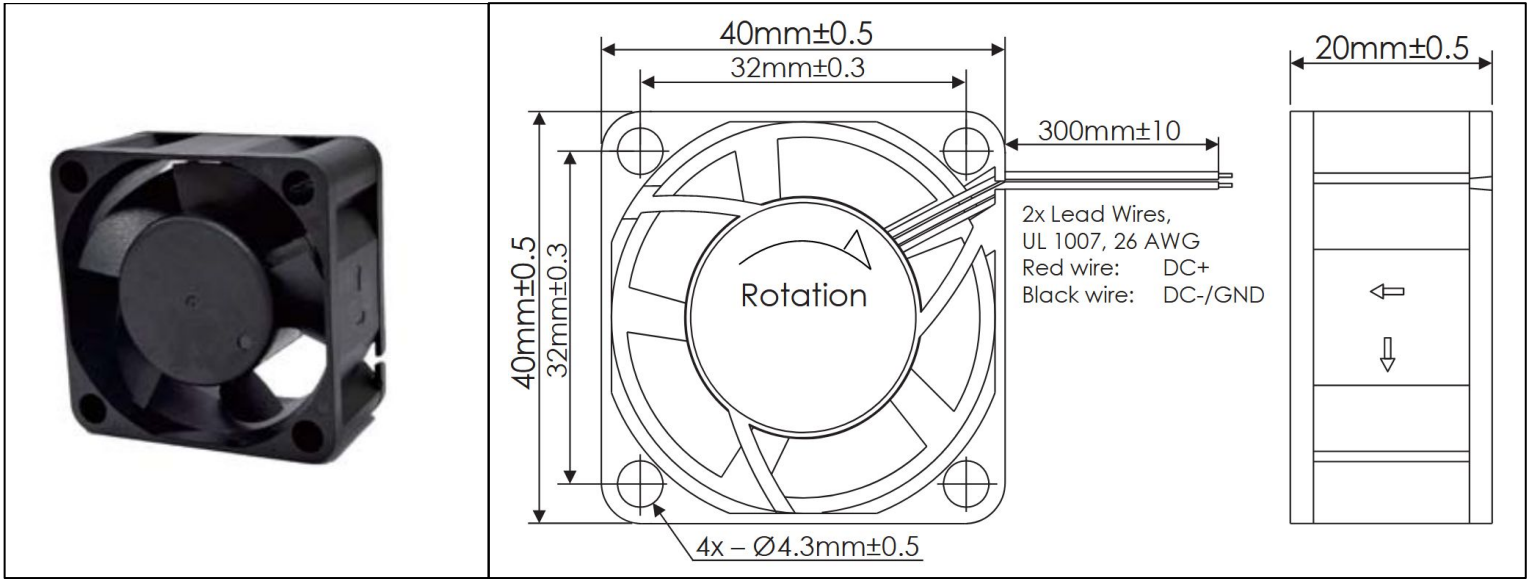


OD4020 Series



DC Fans, 5, 12, 24V DC
40 x 20mm (1.58" x 0.79")



Frame	PBT, Black, UL94 V-0	Operating Temperature -20°C ~ +65°C
Impeller	PBT, Black, UL94 V-0	
Connection	2x Wire Leads, 26 AWG	Storage Temperature -20°C ~ +75°C
Motor	Brushless DC, Auto Cutoff, Auto Restart, Electronically Protected, Polarity Protected	
Bearing System	Dual Ball Bearings	Life Expectancy 65,000 Hours (L10 at 45°C)
Dielectric Strength	500VAC/min, < 1mA	
Insulation Resistance	≥10MΩ @ 500V DC	Available Options Tachometer Output Alarm Output IP Ratings
		Weight: 0.07 lbs

Part Number	Rated Voltage (Volts DC)	Voltage Range (Volts DC)	Input Power (Watts)	Rated Current (Amps)	Rated Speed (RPM)	Airflow (CFM)	Noise Level (dBA)	Max. Static Pressure
OD4020-05HB	5	4.5 ~ 5.5	1.60	0.23 ~ 0.32	7780	8.7	32.1	0.32" H ₂ O
OD4020-05MB	5	4.5 ~ 5.5	1.20	0.20 ~ 0.23	6475	7.5	30.3	0.17" H ₂ O
OD4020-05LB	5	4.5 ~ 5.5	0.90	0.16 ~ 0.18	5150	6.5	24.1	0.14" H ₂ O
OD4020-12HB	12	8 ~ 13.8	1.30	0.10 ~ 0.21	8190	8.7	32.1	0.32" H ₂ O
OD4020-12MB	12	8 ~ 13.8	1.20	0.08 ~ 0.10	6475	7.5	30.3	0.17" H ₂ O
OD4020-12LB	12	8 ~ 13.8	0.98	0.06 ~ 0.08	5150	6.5	24.1	0.14" H ₂ O
OD4020-24HB	24	14 ~ 26	1.72	0.07 ~ 0.09	8190	8.7	32.1	0.32" H ₂ O
OD4020-24MB	24	14 ~ 26	1.70	0.05 ~ 0.07	6475	7.5	30.3	0.17" H ₂ O
OD4020-24LB	24	14 ~ 26	1.20	0.04 ~ 0.05	5150	6.5	24.1	0.14" H ₂ O