

PART NAME	NON-METALLIC ENCLOSURE (STYLE B)	PART No.	NBB-10251 & NBB-10271 & NBB-22251	REV. DATE	6-17-15
-----------	----------------------------------	----------	-----------------------------------	-----------	---------

**MATERIAL:**  
UL LISTED INDOOR VERSION  
 SOLID BODY & COVER \_\_\_\_\_ ABS/PC BLENDED PLASTIC  
 UL94-5VB FLAMMABILITY RATING  
 CLEAR COVER \_\_\_\_\_ POLYCARBONATE PLASTIC  
 UL94V-0 FLAMMABILITY RATING  
 UV STABILIZED  
ABS VERSION  
 SOLID BODY & COVER \_\_\_\_\_ ABS  
 UL94-HB FLAMMABILITY RATING  
ALL VERSIONS  
 GASKET \_\_\_\_\_ MODIFIED POLYURETHANE

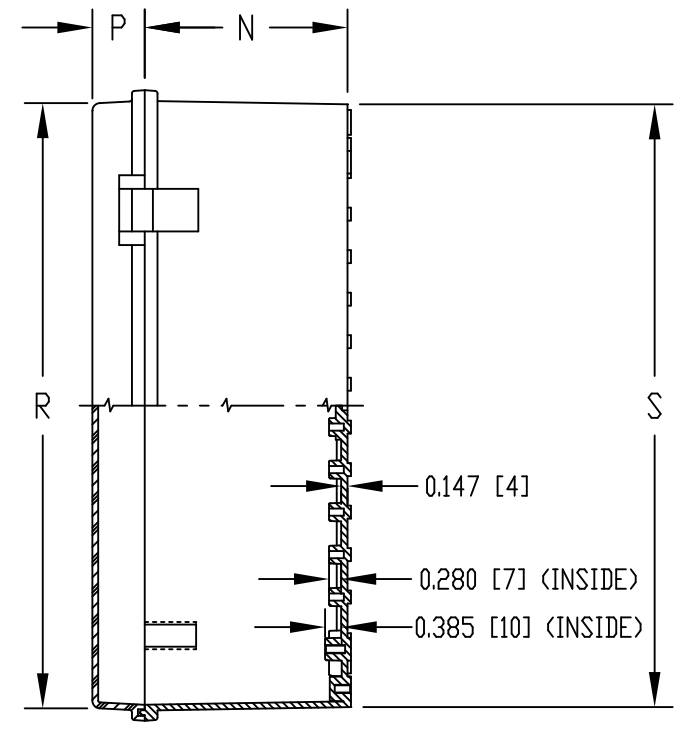
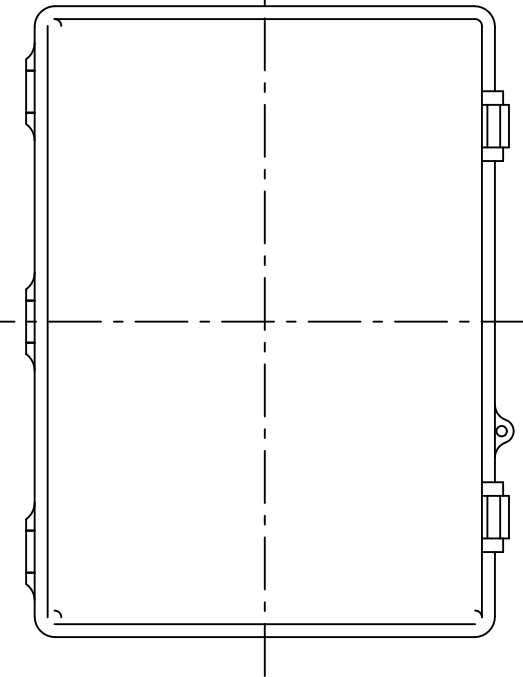
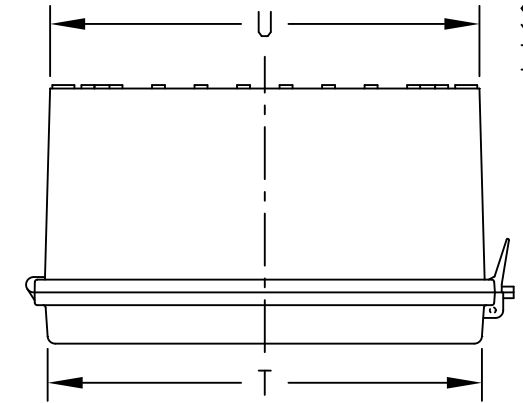
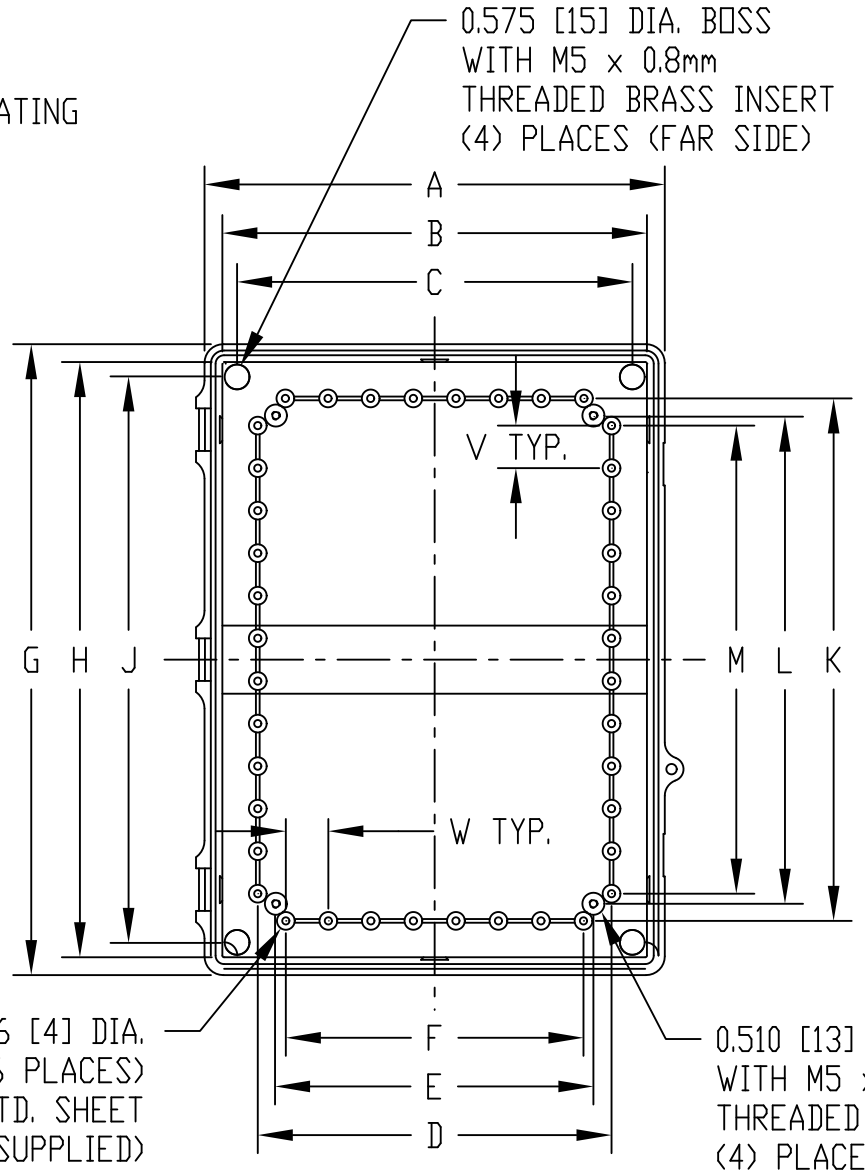
**FINISH:**  
 BODY \_\_\_\_\_ LIGHT GRAY  
 COVER \_\_\_\_\_ LIGHT GRAY OR CLEAR  
 LATCHES & HINGES \_\_\_\_\_ NON-METALLIC  
 WALL MOUNTING BRACKETS \_\_\_\_\_ STAINLESS STEEL

INTERNAL HINGED PANEL MOUNTING BRACKETS, STAINLESS STEEL LOCKING HASP, AIR AND MOISTURE VENTS AND GALVANIZED STEEL INTERNAL PANEL ARE NOT INCLUDED, BUT CAN BE PURCHASED SEPARATELY.

**NOTE:** UNIT COMES COMPLETE WITH (4) WALL MOUNTING BRKTS. & (4) M5 x 10mm LG. TRUSS HD. MACHINE SCREWS (NOT SHOWN)

COVER INCLUDES GRAY POLYURETHANE GASKET.

**INDUSTRY STANDARDS:**  
UL LISTED INDOOR VERSION  
 UL508 TYPE 1, 2, 3, 3R, 4, 4X INDOOR, 12 & 13  
 NEMA TYPE 1, 2, 3, 3R, 4, 4X, 12 & 13  
 IEC529-IP65  
ABS VERSION  
 NEMA TYPE 1, 2, 3, 3R, 4, 4X, 12 & 13  
 IEC529-IP65



DIMENSIONS = INCHES [MILLIMETERS]

NOTE: ALL DIMENSIONS HAVE ±0.039 [±1] TOLERANCE UNLESS OTHERWISE SPECIFIED

VIEW LESS COVER

UL LISTED INDOOR VERSION			DIMENSIONS																			
PART NO.		ABS VERSION PART NO.	A	B	C	D	E	F	G	H	J	K	L	M	N	P	R	S	T	U	V	W
SOLID COVER	CLEAR COVER	SOLID COVER	10.640	9.815	9.136	8.178	7.332	6.881	14.585	13.760	13.072	12.078	11.287	10.821	4.713	1.210	13.995	13.860	10.040	9.925	0.983	0.983
NBB-10251	NBB-10271	NBB-22251	[270]	[249]	[232]	[208]	[187]	[175]	[370]	[349]	[332]	[307]	[287]	[275]	[120]	[31]	[355]	[352]	[255]	[252]	[25]	[25]