



**MCP165X 3W White LED
Demo Board (Rev. 1)
User's Guide**

Note the following details of the code protection feature on Microchip devices:

- Microchip products meet the specification contained in their particular Microchip Data Sheet.
- Microchip believes that its family of products is one of the most secure families of its kind on the market today, when used in the intended manner and under normal conditions.
- There are dishonest and possibly illegal methods used to breach the code protection feature. All of these methods, to our knowledge, require using the Microchip products in a manner outside the operating specifications contained in Microchip's Data Sheets. Most likely, the person doing so is engaged in theft of intellectual property.
- Microchip is willing to work with the customer who is concerned about the integrity of their code.
- Neither Microchip nor any other semiconductor manufacturer can guarantee the security of their code. Code protection does not mean that we are guaranteeing the product as "unbreakable."

Code protection is constantly evolving. We at Microchip are committed to continuously improving the code protection features of our products. Attempts to break Microchip's code protection feature may be a violation of the Digital Millennium Copyright Act. If such acts allow unauthorized access to your software or other copyrighted work, you may have a right to sue for relief under that Act.

Information contained in this publication regarding device applications and the like is provided only for your convenience and may be superseded by updates. It is your responsibility to ensure that your application meets with your specifications. MICROCHIP MAKES NO REPRESENTATIONS OR WARRANTIES OF ANY KIND WHETHER EXPRESS OR IMPLIED, WRITTEN OR ORAL, STATUTORY OR OTHERWISE, RELATED TO THE INFORMATION, INCLUDING BUT NOT LIMITED TO ITS CONDITION, QUALITY, PERFORMANCE, MERCHANTABILITY OR FITNESS FOR PURPOSE. Microchip disclaims all liability arising from this information and its use. Use of Microchip's products as critical components in life support systems is not authorized except with express written approval by Microchip. No licenses are conveyed, implicitly or otherwise, under any Microchip intellectual property rights.

Trademarks

The Microchip name and logo, the Microchip logo, Accuron, dsPIC, KEELOQ, microID, MPLAB, PIC, PICmicro, PICSTART, PRO MATE, PowerSmart, rfPIC, and SmartShunt are registered trademarks of Microchip Technology Incorporated in the U.S.A. and other countries.

AmpLab, FilterLab, MXDEV, MXLAB, PICMASTER, SEEVAL, SmartSensor and The Embedded Control Solutions Company are registered trademarks of Microchip Technology Incorporated in the U.S.A.

Analog-for-the-Digital Age, Application Maestro, dsPICDEM, dsPICDEM.net, dsPICworks, ECAN, ECONOMONITOR, FanSense, FlexROM, fuzzyLAB, In-Circuit Serial Programming, ICSP, ICEPIC, Migratable Memory, MPASM, MPLIB, MPLINK, MPSIM, PICKit, PICDEM, PICDEM.net, PICLAB, PICtail, PowerCal, PowerInfo, PowerMate, PowerTool, rLAB, rfPICDEM, Select Mode, Smart Serial, SmartTel and Total Endurance are trademarks of Microchip Technology Incorporated in the U.S.A. and other countries.

SQTP is a service mark of Microchip Technology Incorporated in the U.S.A.

All other trademarks mentioned herein are property of their respective companies.

© 2004, Microchip Technology Incorporated, Printed in the U.S.A., All Rights Reserved.

 Printed on recycled paper.

QUALITY MANAGEMENT SYSTEM
CERTIFIED BY DNV
== ISO/TS 16949:2002 ==

Microchip received ISO/TS-16949:2002 quality system certification for its worldwide headquarters, design and wafer fabrication facilities in Chandler and Tempe, Arizona and Mountain View, California in October 2003. The Company's quality system processes and procedures are for its PICmicro® 8-bit MCUs, KEELOQ® code hopping devices, Serial EEPROMs, microperipherals, nonvolatile memory and analog products. In addition, Microchip's quality system for the design and manufacture of development systems is ISO 9001:2000 certified.



MCP165X 3W WHITE LED DEMO BOARD USER'S GUIDE

Table of Contents

Preface	1
Chapter 1. Product Overview	5
1.1 Introduction	5
1.2 Evaluation Board Description	5
1.3 How it is used	7
1.4 How it works	8
Appendix A. Schematic and Board Layouts	9
A.1 Introduction	9
A.2 Board Schematic	10
A.3 Top Silk-Screen	11
A.4 Top Metal Layer	12
A.5 Bottom Silk-Screen Layer (Top View)	13
A.6 Bottom Metal Layer	14
Appendix B. Bill-of-Materials (BOM)	15
Worldwide Sales and Service	16

MCP165X 3W White LED Demo Board User's Guide

NOTES:



MCP165X 3W WHITE LED DEMO BOARD USER'S GUIDE

Preface

NOTICE TO CUSTOMERS

All documentation becomes dated, and this manual is no exception. Microchip tools and documentation are constantly evolving to meet customer needs, so some actual dialogs and/or tool descriptions may differ from those in this document. Please refer to our web site (www.microchip.com) to obtain the latest documentation available.

Documents are identified with a "DS" number. This number is located on the bottom of each page, in front of the page number. The numbering convention for the DS number is "DSXXXXA", where "XXXX" is the document number and "A" is the revision level of the document.

For the most up-to-date information on development tools, see the MPLAB® IDE on-line help. Select the Help menu, and then Topics to open a list of available on-line help files.

INTRODUCTION

This chapter contains general information that will be useful to know before using the MCP165X 3W White LED Demo Board (Rev. 1). Items discussed in this chapter include:

- About This Guide
- Recommended Reading
- The Microchip Web Site
- Customer Support

ABOUT THIS GUIDE

Document Layout

This document describes how to use MCP165X 3W White LED Demo Board (Rev. 1) as a development tool to emulate and debug firmware on a target board. The manual layout is as follows:

- **Chapter 1: MCP165X 3W White LED Demo Board (Rev. 1)** - Describes how to use the various features of the MCP165X 3W White LED Demo Board (Rev. 1).
- **Appendix A: Schematic and Board Layouts** – Shows the schematic and Printed Circuit Board (PCB) layout diagrams for the MCP165X 3W White LED Demo Board (Rev. 1).
- **Appendix B: Bill-of-Materials (BOM)** – Shows the parts used to build the MCP165X 3W White LED Demo Board (Rev. 1).

MCP165X 3W White LED Demo Board User's Guide

Conventions Used in this Guide

This manual uses the following documentation conventions:

DOCUMENTATION CONVENTIONS

Description	Represents	Examples
Arial font:		
Italic characters	Referenced books	<i>MPLAB[®] IDE User's Guide</i>
	Emphasized text	...is the <i>only</i> compiler...
Initial caps	A window	the Output window
	A dialog	the Settings dialog
	A menu selection	select Enable Programmer
Quotes	A field name in a window or dialog	"Save project before build"
Underlined, italic text with right angle bracket	A menu path	<u><i>File</i></u> >Save
Bold characters	A dialog button	Click OK
	A tab	Click the Power tab
'bnnnn'	A binary number where <i>n</i> is a digit	'b00100, 'b10
Text in angle brackets < >	A key on the keyboard	Press <Enter>, <F1>
Courier font:		
Plain Courier	Sample source code	#define START
	Filenames	autoexec.bat
	File paths	c:\mcc18\h
	Keywords	_asm, _endasm, static
	Command-line options	-Opa+, -Opa-
	Bit values	0, 1
Italic Courier	A variable argument	<i>file.o</i> , where <i>file</i> can be any valid filename
0xnnnn	A hexadecimal number where <i>n</i> is a hexadecimal digit	0xFFFF, 0x007A
Square brackets []	Optional arguments	mcc18 [options] <i>file</i> [options]
Curly brackets and pipe character: { }	Choice of mutually exclusive arguments; an OR selection	errorlevel {0 1}
Ellipses...	Replaces repeated text	var_name [, var_name...]
	Represents code supplied by user	void main (void) { ... }

RECOMMENDED READING

This user's guide describes how to use MCP165X 3W White LED Demo Board (Rev. 1). Other useful documents are listed below. The following Microchip documents are available and recommended as supplemental reference resources.

MCP1650 750 kHz Boost Controller Data Sheet (DS21876)

The data sheet provides detailed information regarding the MCP1650/51/52/53 family of boost controllers.

THE MICROCHIP WEB SITE

Microchip provides online support via our web site at www.microchip.com. This web site is used as a means to make files and information easily available to customers. Accessible by using your favorite Internet browser, the web site contains the following information:

- **Product Support** – Data sheets and errata, application notes and sample programs, design resources, user's guides and hardware support documents, latest software releases and archived software
- **General Technical Support** – Frequently Asked Questions (FAQ), technical support requests, online discussion groups, Microchip consultant program member listing
- **Business of Microchip** – Product selector and ordering guides, latest Microchip press releases, listing of seminars and events, listings of Microchip sales offices, distributors and factory representatives

CUSTOMER SUPPORT

Users of Microchip products can receive assistance through several channels:

- Distributor or Representative
- Local Sales Office
- Field Application Engineer (FAE)
- Technical Support
- Development Systems Information Line

Customers should contact their distributor, representative or field application engineer (FAE) for support. Local sales offices are also available to help customers. A listing of sales offices and locations is included in the back of this document.

Technical support is available through the web site at: <http://support.microchip.com>

In addition, there is a Development Systems Information Line which lists the latest versions of Microchip's development systems software products. This line also provides information on how customers can receive currently available upgrade kits.

The Development Systems Information Line numbers are:

1-800-755-2345 – United States and most of Canada

1-480-792-7302 – Other International Locations

MCP165X 3W White LED Demo Board User's Guide

NOTES:

Chapter 1. Product Overview

1.1 INTRODUCTION

The MCP1650/1/2/3 Boost Controller family is a 750 kHz gated oscillator controller in an 8 or 10-pin MSOP package. The family includes peak current limit, adjustable output voltage/current, low battery detection and power good indication.

This board uses Microchip Technology's MCP1650/1/2/3 boost controller as a constant-current source to drive a 3W white LED. The application features the MCP1651R-option (8-pin MSOP) with the low-battery detect feature. The input voltage for the MCP165X 3W White LED Demo Board is 2.0V to 4.5V and the output current is set at 700 mA.

1.2 EVALUATION BOARD DESCRIPTION

The MCP165X 3W White LED Demo Board is fully assembled, tested and ready for evaluation and demonstration. This board is capable of functioning without any extra lab supplies or loads. A three-socket AA battery holder is attached to the board. However, there are terminals provided to allow the use of an external voltage supply. The input is fused for overcurrent protection.

If an external voltage supply is used, the MCP165X 3W White LED Demo Board requires 2.0V to 4.5V for proper operation. Connect the positive terminal of the external supply to TP1 and the ground terminal of the external supply to TP2. Care must be taken so that the input voltage does not exceed the maximum voltage rating of 6.0V that is specified in the MCP1650/1/2/3 data sheet (DS21876). The MCP1651R is the specific device used on the board.

There are two switches on the board. Switch S_1 is an on/off switch used to disconnect the input voltage. Switch S_2 is a momentary switch that triggers the PIC10F206 microcontroller to activate the Demonstration mode or the Flashing mode.

Section 1.3 "How it is used" describes how to put the MCP165X 3W White LED Demo Board in the different modes of operation. The flowchart in Figure 1-1 shows the sequence of events triggered by pressing the momentary switch.

The Flashing mode consists of three different operating states for the LED. The brightness of the LED is approximately 50% dimmed in the first state. This is accomplished by applying a 50% square wave to the shutdown pin of the MCP1651R. The second and third states of operation consist of flashing the LED at two different rates. The second state is a fast flash rate, while the third state is a slow flash rate. These rates of flash are predetermined and are accomplished by toggling the shutdown pin with a square wave.

The Demonstration mode automatically cycles through the three flashing modes.

MCP165X 3W White LED Demo Board User's Guide

The MCP1651R has a low input voltage status indicator that will provide visual indication (via a red LED) when the input voltage is approaching 2.8V.

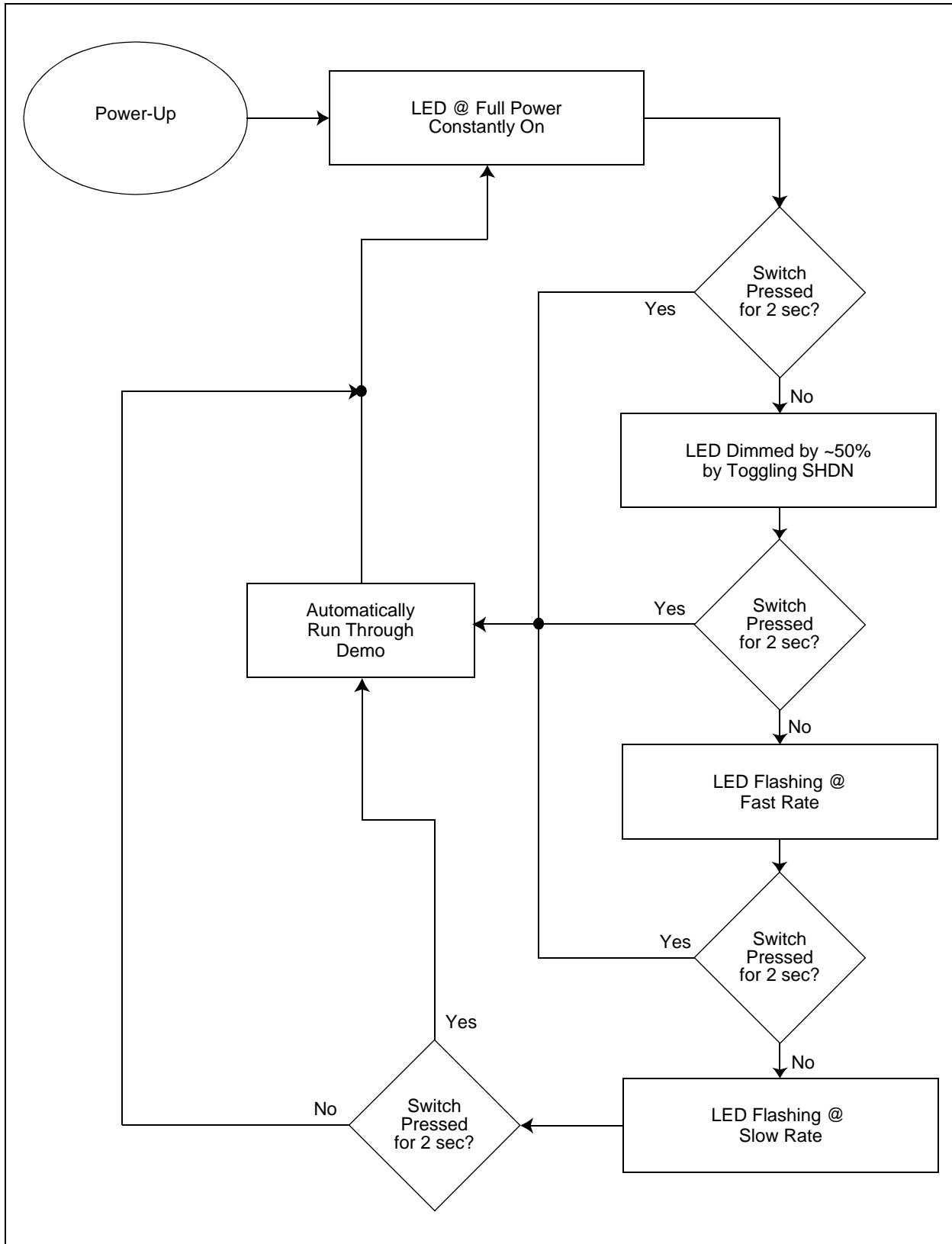


FIGURE 1-1: MCP165X 3W White LED Demo Board Flow Chart

1.3 HOW IT IS USED

1.3.1 Standard Operation

1. Verify that the on/off switch S_1 is in the off position.
2. Insert three fully-charged batteries into the battery holder. The combined voltage of the three batteries can not exceed 6.0V. The recommended range of the input voltage is 2.0V to 4.5V.
3. Move the S_1 switch to the on position. The 3W white LED should now be powered.

Note 1: Alternately, the input voltage can be provided by a lab power supply. Apply a 2.0V to 4.5V supply voltage to the V_{IN} (TP1) pin and the GND (TP2) pin.

- 2: Before connecting a lab power supply, remove any batteries from the battery holder located on the bottom of the board.

1.3.2 Demonstration Mode Operation

As described in **Section 1.2 “Evaluation Board Description”**, the MCP165X 3W White LED Demo Board can be set into a demonstration mode of operation. The following procedure describes how to initiate the demonstration mode.

1. Refer to **Section 1.3.1 “Standard Operation”** to verify the proper connection of the input voltage supply.
2. Move the S_1 switch to the ON position. The LED should be powered.
3. Press and hold the momentary switch S_2 . Release the switch after a minimum of two seconds. The MCP165X 3W White LED Demo Board will enter the Demonstration mode. Once the Demonstration mode is complete, the LED will be powered at full brightness.

Note: See **Section 1.2 “Evaluation Board Description”** for a description of the brightness and flashing sequences preprogrammed into the on-board PIC10F206.

1.3.3 Flashing Mode Operation

1. Refer to **Section 1.3.1 “Standard Operation”** to verify the proper connection of the input voltage supply.
2. Move the S_1 switch to the on position. The LED should be powered.
3. Press and release the momentary switch S_2 . The 3W LED will now be in a dimmed state and stay in this state until the momentary switch is pressed again.
4. Press and release the momentary switch S_2 again. The 3W LED will now begin to flash at a predetermined rate.
5. Press and release the momentary switch S_2 again. The 3W LED will now begin to flash slower predetermined rate.
6. Press and release the momentary switch S_2 again. The 3W LED will return to full brightness.

Note: Anytime the momentary switch S_2 is pressed for more than two seconds, the MCP165X 3W White LED Demo Board will enter the Demonstration mode of operation.

MCP165X 3W White LED Demo Board User's Guide

1.4 HOW IT WORKS

1.4.1 MCP1650/1/2/3 Functions

The MCP1650/1/2/3 product family consists of four high-frequency, boost converter devices having different combinations of features. All devices in the family feature 750 kHz high-frequency, low quiescent current, shutdown compatibility and the MSOP package. The MCP1650 is the base device in an 8-pin MSOP package. The MCP1651 includes all of the features of the MCP1650, with the addition of a low-battery detect and a low-battery output indicator. The MCP1652 includes all of the features of the MCP1650, with the addition of a power good indicator. The MCP1653 has all the features of the MCP1650/1/2 and is offered in a 10-pin MSOP package.

1.4.2 Power Topology and Output Regulation

The topology used to convert the wide ranging input voltage into a regulated output voltage is the SEPIC topology. This topology allows the input voltage to be stepped-up or stepped-down and provides protection if the switching FET fails.

The output current is regulated by using a sense resistor to change the white LED current into a voltage. This voltage is then fed into the voltage reference pin on the MCP1651R. Please refer to the MCP1650/1/2/3 data sheet (DS21876) for more information regarding output regulation.



MCP165X 3W WHITE LED DEMO BOARD USER'S GUIDE

Appendix A. Schematic and Board Layouts

A.1 INTRODUCTION

This appendix contains the schematic and printed circuit board (PCB) layout diagrams for the MCP165X 3W White LED Evaluation Board (Rev. 1).

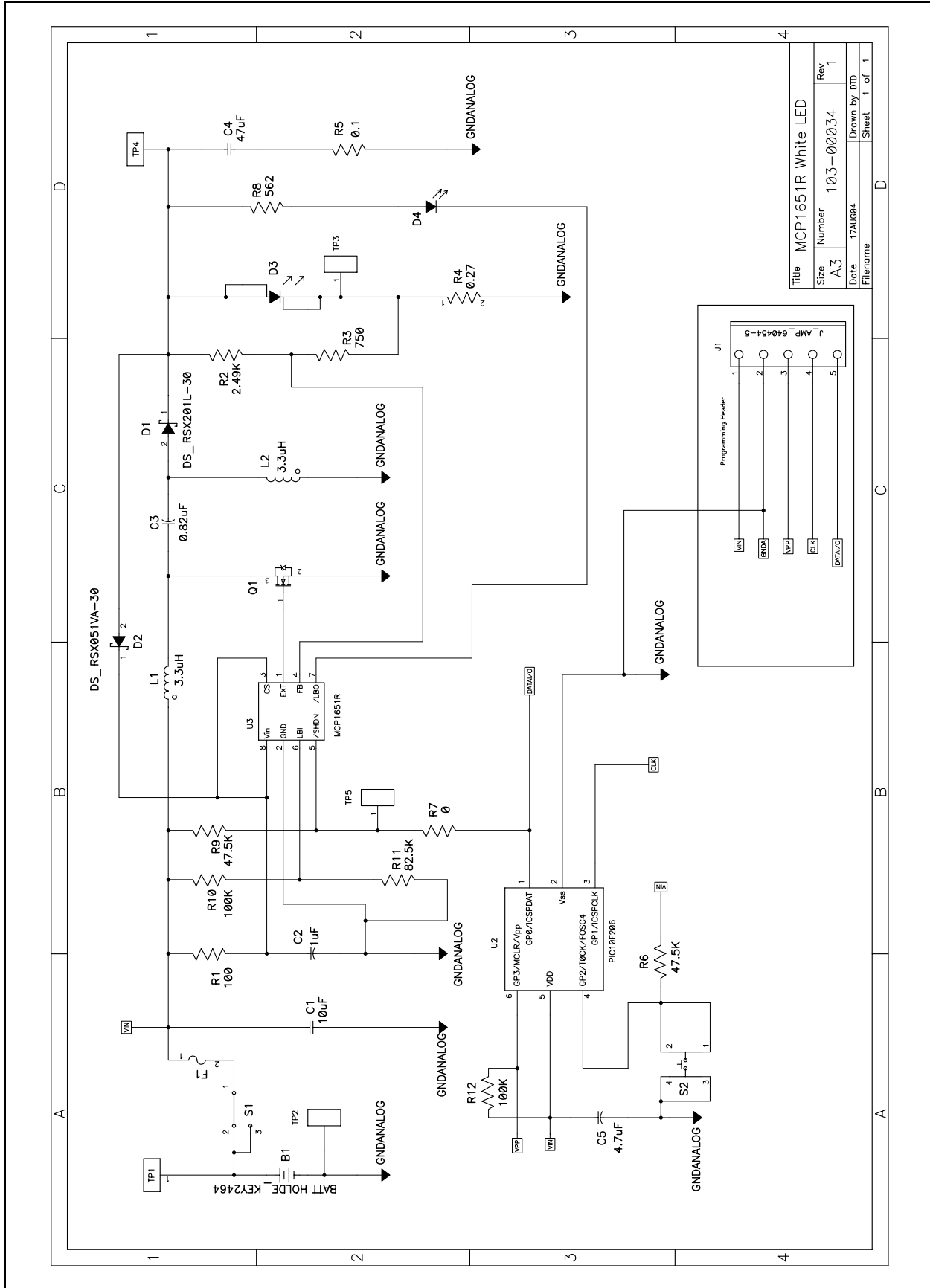
The MCP165X 3W White LED Evaluation Board (Rev. 1) is constructed using a two-layer printed circuit board. The top and bottom layers are for components and traces.

Diagrams included in this appendix:

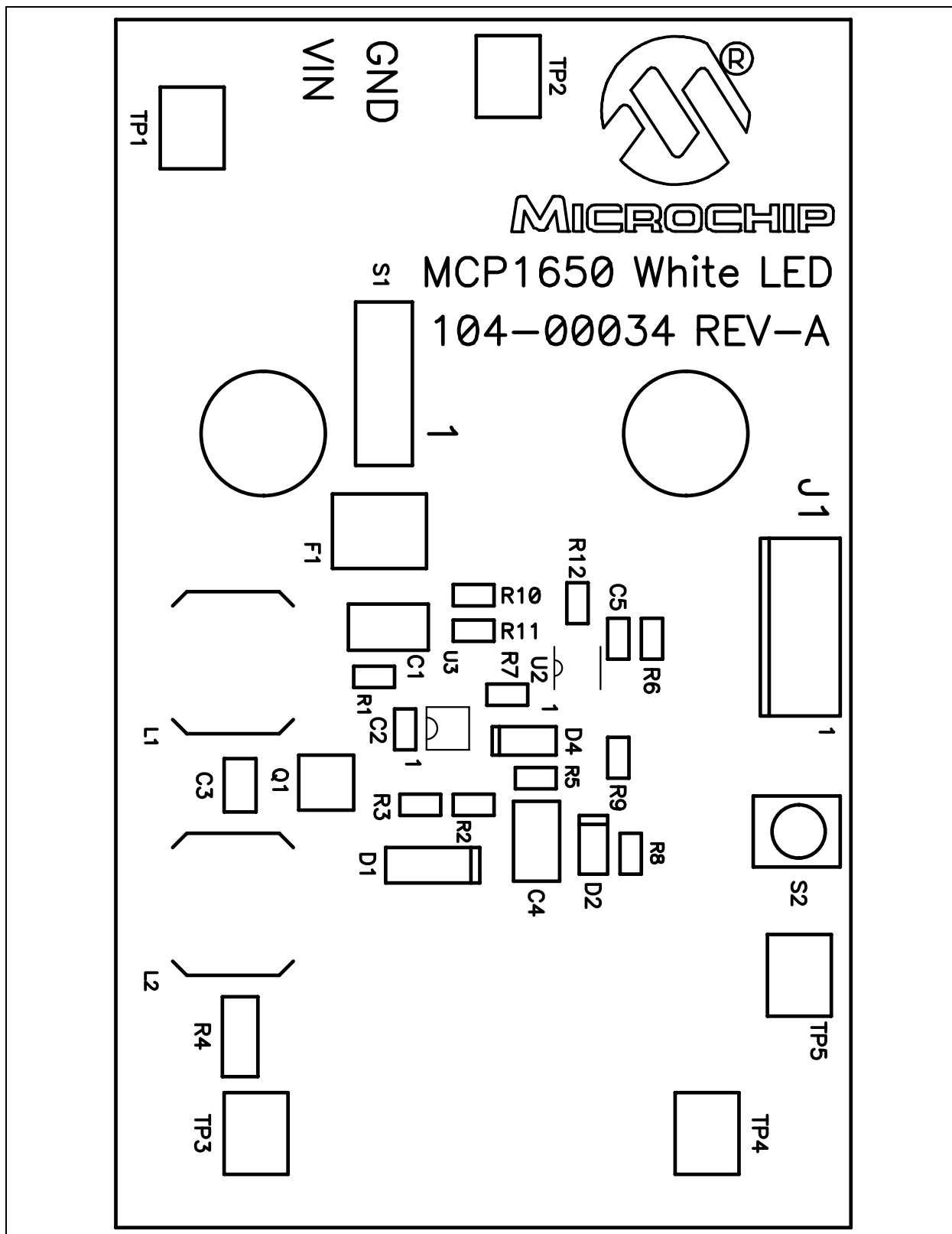
- Board Schematic
- Top Silk-screen Layer
- Top Metal Layer
- Bottom Silk-screen Layer
- Bottom Metal Layer

MCP165X 3W White LED Demo Board User's Guide

A.2 BOARD SCHEMATIC

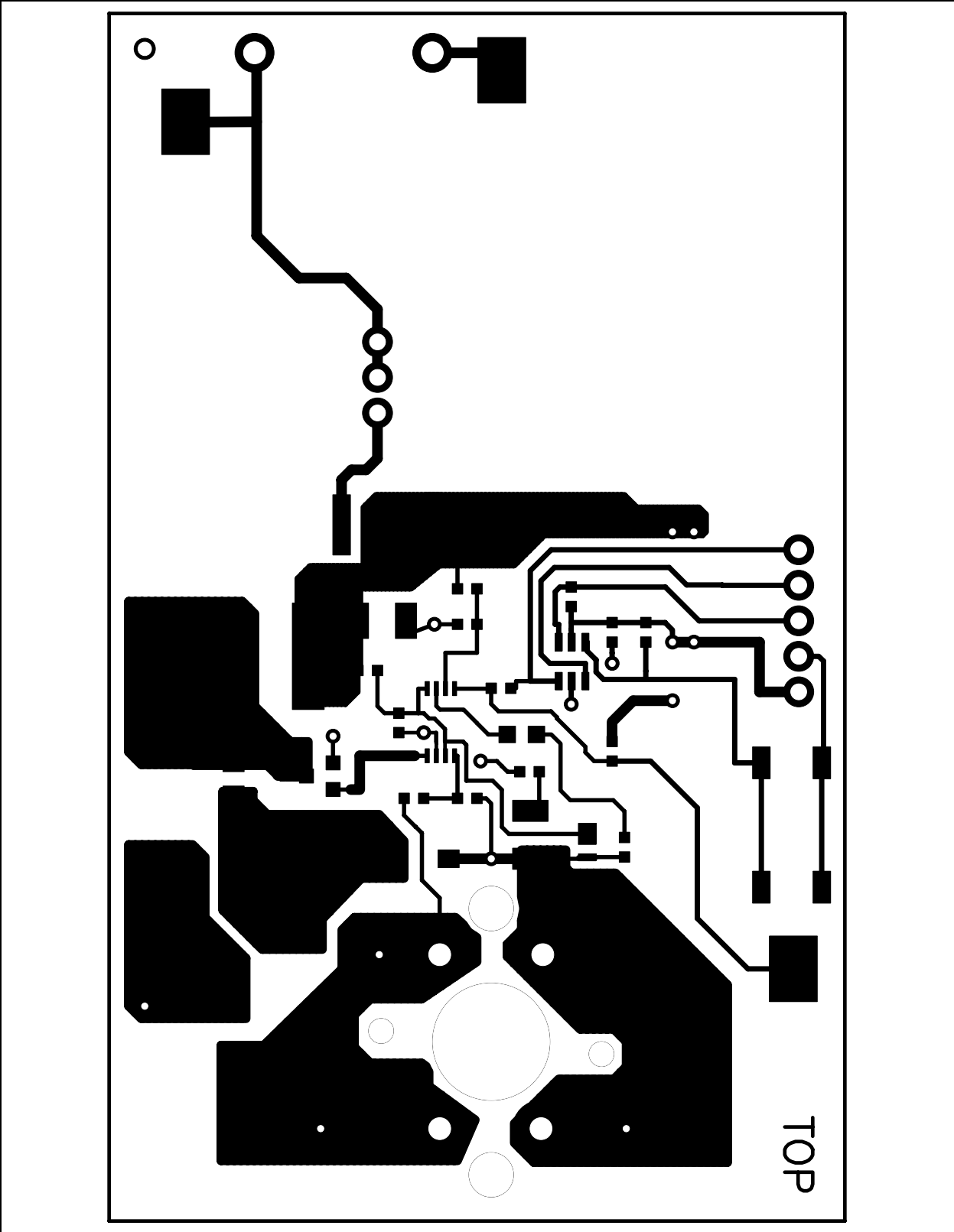


A.3 TOP SILK-SCREEN

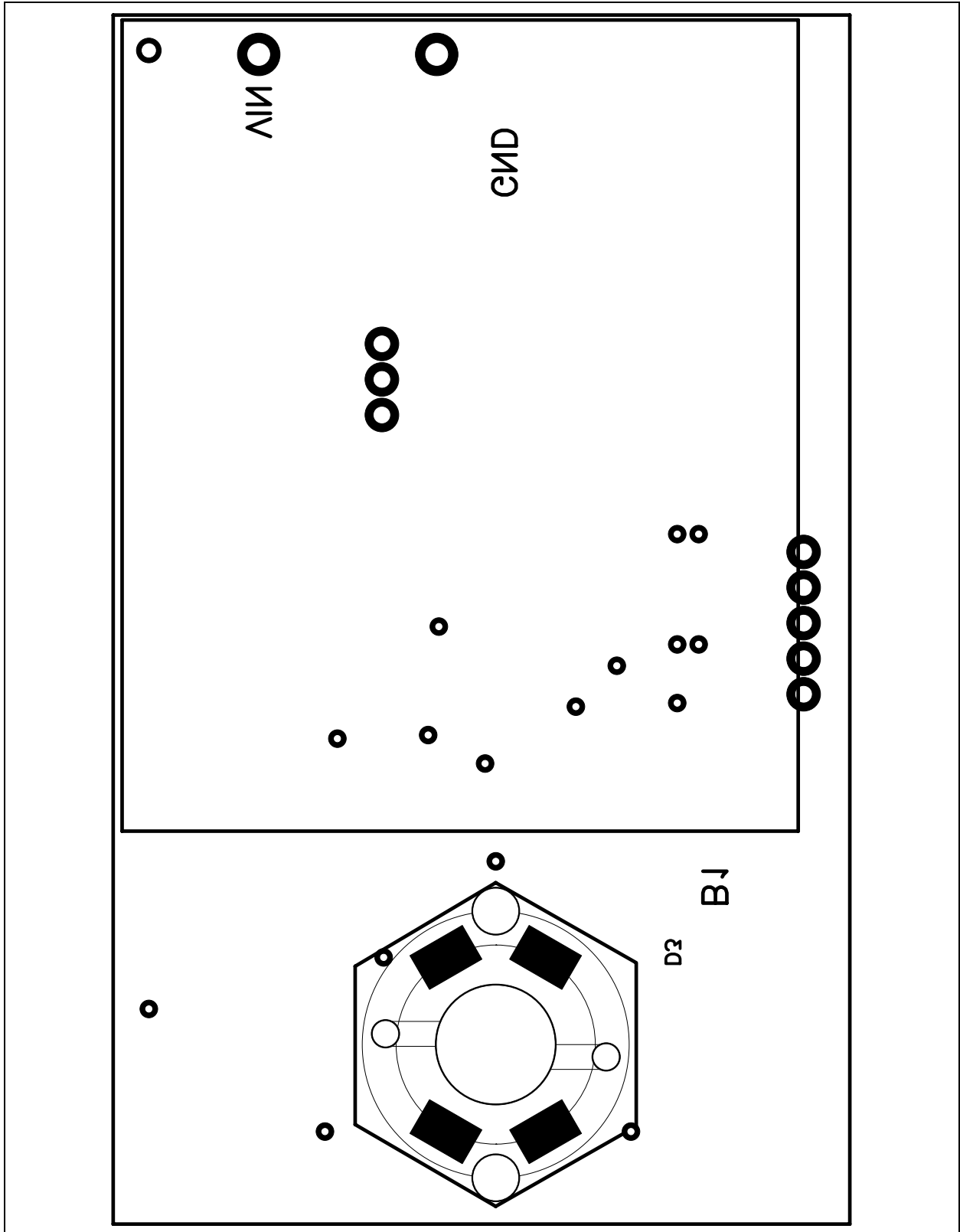


MCP165X 3W White LED Demo Board User's Guide

A.4 TOP METAL LAYER

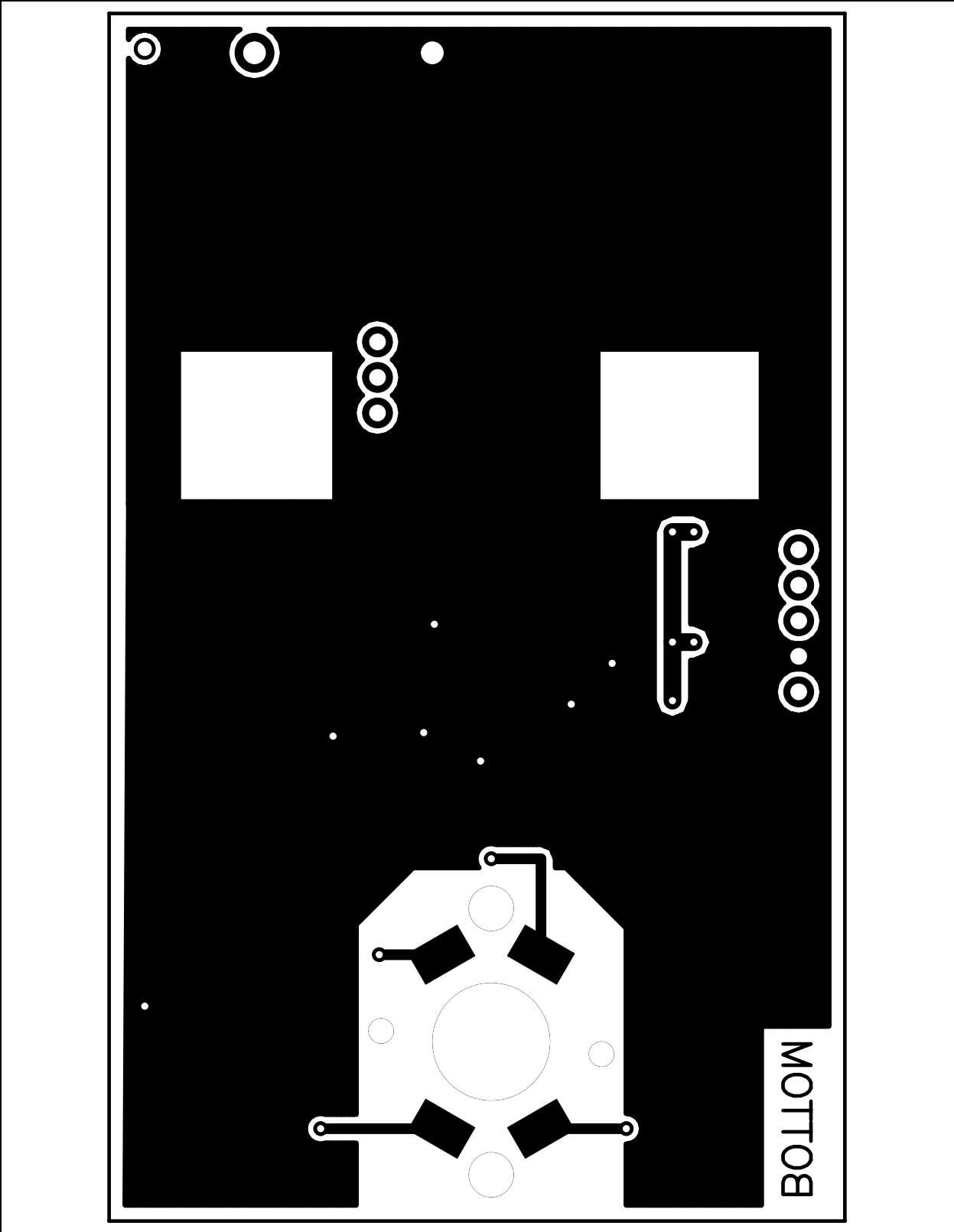


A.5 BOTTOM SILK-SCREEN LAYER (TOP VIEW)



MCP165X 3W White LED Demo Board User's Guide

A.6 BOTTOM METAL LAYER



Appendix B. Bill-of-Materials (BOM)

TABLE B-1: BILL-OF-MATERIALS (BOM)

Qty	Reference	Description	Manufacturer	Part Number
1	Battery Holder	3 AA holder	Keystone Electronics®	2464
1	S1	ON/OFF Switch	E-Switch Inc.	EG1903
1	S2	Momentary Switch	E-Switch Inc.	TL3301NF260QG
1	F1	Polyswitch Reset Fuse	Raychem® Corp.	MINISMDC200-2
5	TP1, TP2, TP3, TP4, TP5	SMT Test Point	Keystone Electronics	5016
1	C1	Capacitor, 10 µF, 1210	Kemet®	C1210C106K8PACTU
1	C2	Capacitor, 1.0 µF, 0603	Panasonic® - ECG	ECJ-1VB1C105K
1	C3	Capacitor, 0.82 µF, 0805	Panasonic - ECG	ECJ-2YB1A824K
1	C4	Capacitor, 47 µF, 1210	muRata®	GJ232CF50J476ZD01K
1	C5	Capacitor, 4.7 µF, 0603	Panasonic - ECG	ECJ-1VB0J475M
1	R1	Resistor, 100Ω, 0603	Panasonic - ECG	ERJ-3EKF1000V
1	R2	Resistor, 2.49 kΩ, 0603	Panasonic - ECG	ERJ-3EKF2491V
1	R3	Resistor, 750Ω, 0603	Panasonic - ECG	ERJ-3EKF7500V
1	R4	Resistor, 0.27Ω, 1206	Panasonic - ECG	ERJ-8RQFR27V
1	R5	Resistor, 0.10Ω, 0603	Panasonic - ECG	ERJ-3RSJR10V
2	R6, R9	Resistor, 47.5 kΩ, 0603	Panasonic - ECG	ERJ-3EKF4752V
1	R7	Resistor, 0Ω, 0603	Panasonic - ECG	ERJ-3GEY0R00V
1	R8	Resistor, 562Ω, 0603	Panasonic - ECG	ERJ-3EKF5620V
2	R10, R12	Resistor, 100 kΩ, 0603	Panasonic - ECG	ERJ-3EKF1003V
1	R11	Resistor, 82.5 kΩ, 0603	Panasonic - ECG	ERJ-3EKF8252V
1	D1	Schottky Diode	ON Semiconductor®	MBRA130LT3
1	D2	Schottky Diode	Panasonic - ECG	MBRA130LT3
1	D3	Luxeon III LED	Lumileds®	LXHL-LW3C
1	D4	Red LED, 0805	Lumex® Opto/Components Inc.	SML-LX0805SIC-TR
2	L1, L2	3.3 µH Inductor	Coilcraft®	DO3316P-332
1	Q1	N Channel MOSFET	Fairchild® Semiconductor	FDN337N
1	U2	PIC10F206 6-pin SOT-23	Microchip Technology Inc.	PIC10F206
1	U3	MCP1651 8-pin MSOP	Microchip Technology Inc.	MCP1651R
1	J1	CONN HEADER VERT 5POS .100 TIN	AMP	640454-5
1	HS1	Heatsink	International Electronic Research Corp.	BDN09-3CB/A01



WORLDWIDE SALES AND SERVICE

AMERICAS

Corporate Office
2355 West Chandler Blvd.
Chandler, AZ 85224-6199
Tel: 480-792-7200
Fax: 480-792-7277
Technical Support:
http://support.microchip.com
Web Address:
www.microchip.com

Atlanta
Alpharetta, GA
Tel: 770-640-0034
Fax: 770-640-0307

Boston
Westford, MA
Tel: 978-692-3848
Fax: 978-692-3821

Chicago
Itasca, IL
Tel: 630-285-0071
Fax: 630-285-0075

Dallas
Addison, TX
Tel: 972-818-7423
Fax: 972-818-2924

Detroit
Farmington Hills, MI
Tel: 248-538-2250
Fax: 248-538-2260

Kokomo
Kokomo, IN
Tel: 765-864-8360
Fax: 765-864-8387

Los Angeles
Mission Viejo, CA
Tel: 949-462-9523
Fax: 949-462-9608

San Jose
Mountain View, CA
Tel: 650-215-1444
Fax: 650-961-0286

Toronto
Mississauga, Ontario,
Canada
Tel: 905-673-0699
Fax: 905-673-6509

ASIA/PACIFIC

Australia - Sydney
Tel: 61-2-9868-6733
Fax: 61-2-9868-6755

China - Beijing
Tel: 86-10-8528-2100
Fax: 86-10-8528-2104

China - Chengdu
Tel: 86-28-8676-6200
Fax: 86-28-8676-6599

China - Fuzhou
Tel: 86-591-750-3506
Fax: 86-591-750-3521

China - Hong Kong SAR
Tel: 852-2401-1200
Fax: 852-2401-3431

China - Shanghai
Tel: 86-21-5407-5533
Fax: 86-21-5407-5066

China - Shenyang
Tel: 86-24-2334-2829
Fax: 86-24-2334-2393

China - Shenzhen
Tel: 86-755-8203-2660
Fax: 86-755-8203-1760

China - Shunde
Tel: 86-757-2839-5507
Fax: 86-757-2839-5571

China - Qingdao
Tel: 86-532-502-7355
Fax: 86-532-502-7205

ASIA/PACIFIC

India - Bangalore
Tel: 91-80-2229-0061
Fax: 91-80-2229-0062

India - New Delhi
Tel: 91-11-5160-8632
Fax: 91-11-5160-8632

Japan - Kanagawa
Tel: 81-45-471- 6166
Fax: 81-45-471-6122

Korea - Seoul
Tel: 82-2-554-7200
Fax: 82-2-558-5932 or
82-2-558-5934

Singapore
Tel: 65-6334-8870
Fax: 65-6334-8850

Taiwan - Kaohsiung
Tel: 886-7-536-4818
Fax: 886-7-536-4803

Taiwan - Taipei
Tel: 886-2-2500-6610
Fax: 886-2-2508-0102

Taiwan - Hsinchu
Tel: 886-3-572-9526
Fax: 886-3-572-6459

EUROPE

Austria - Weis
Tel: 43-7242-2244-399
Fax: 43-7242-2244-393

Denmark - Ballerup
Tel: 45-4420-9895
Fax: 45-4420-9910

France - Massy
Tel: 33-1-69-53-63-20
Fax: 33-1-69-30-90-79

Germany - Ismaning
Tel: 49-89-627-144-0
Fax: 49-89-627-144-44

Italy - Milan
Tel: 39-0331-742611
Fax: 39-0331-466781

Netherlands - Drunen
Tel: 31-416-690399
Fax: 31-416-690340

England - Berkshire
Tel: 44-118-921-5869
Fax: 44-118-921-5820

09/27/04