

NOTES:

1. ORDERING INFORMATION:

10-UNIVERSAL PULLTAB (BOTTOM) 11-UNIVERSAL PULLTAB (TOP)  
 14XX-P XX-00-X.XX  
 LENGTH OPTIONS "L" (in meters)  
 30 AWG up to 5 meters  
 26 AWG for 4 to 7 meters

PASSIVE UNEQUALIZED

| CODE | CABLE CONFIGURATION                      |
|------|--|
| 11   | 30AWG LOW-PROFILE HALOGEN FREE JACKET    |
| 17   | 30AWG LOW-PROFILE PVC JACKET COLOR BLACK |
| 30   | 26AWG LOW-PROFILE PVC JACKET COLOR BLACK |

2. MATERIALS:

- ① - SFP+ SHELL KIT, 2 PCS
- ② - HEAT SHRINKABLE TUBE BLACK (OPTIONAL), 2 PCS
- ③ - LILONG LABEL=CLEAR/WHITE BACKGROUND WITH BLACK TEXT, TEXT H=2.00MM, ARIAL, L\*W=40\*30MM, "YYWW" IS DATE CODE, e.g YEAR=2007, WEEK=26, YYWW=0726

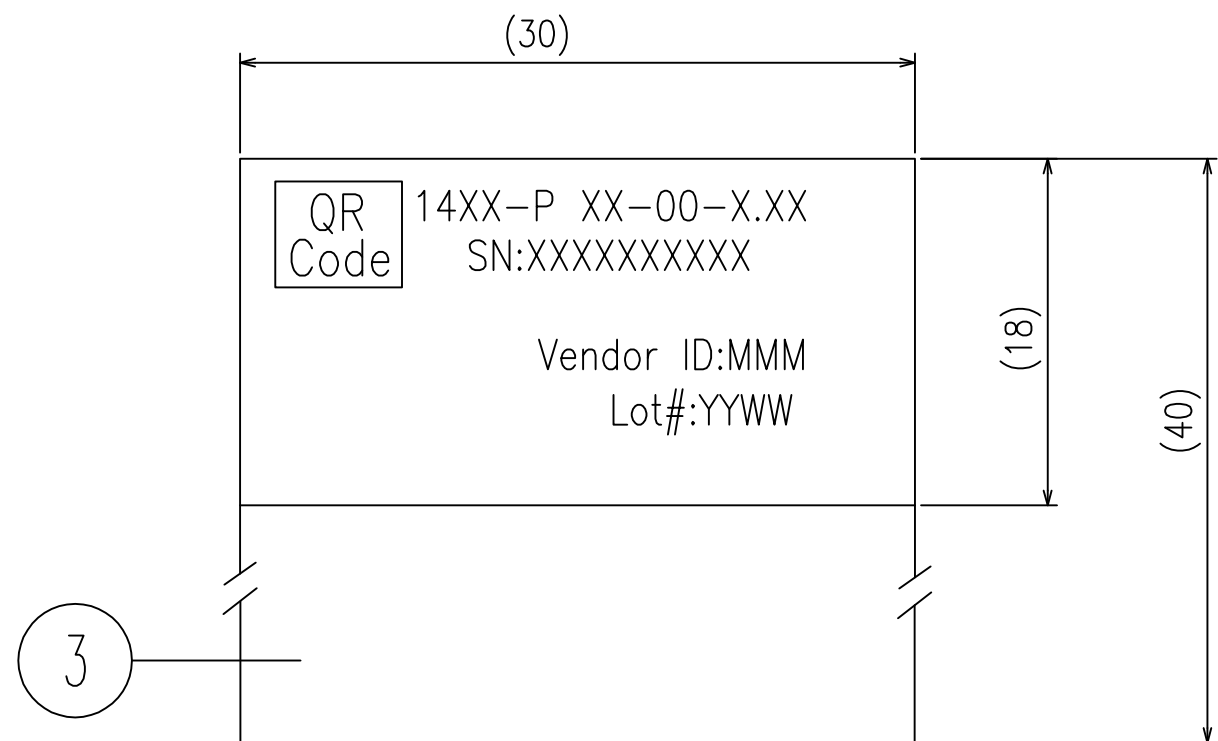
- 3. JACKET TYPES: HALOGEN FREE / PVC, COLOR: BLACK
- 4. THIS CABLE ASSEMBLY IS RoHS COMPLIANT
- 5. BULK CABLE MEETS UL TEMP. RANGE -20°C TO +80°C
- 6. BULK CABLE IMPEDANCE: 100±5 OHMS (DIFFERENTIAL)
- 7. DESIGN TO SFP+ STANDARD SFF-8431

8. UNLESS OTHERWISE NOTED, REFERENCES TO INDUSTRY SPECIFICATIONS ARE INTENDED TO INDICATE SUBSTANTIAL COMPLIANCE TO THE MATERIAL ELEMENTS OF THE SPECIFICATION. SUCH REFERENCES SHOULD NOT BE CONSTRUED AS A GUARANTEE OF COMPLIANCE TO ALL REQUIREMENTS IN A GIVEN SPECIFICATION.

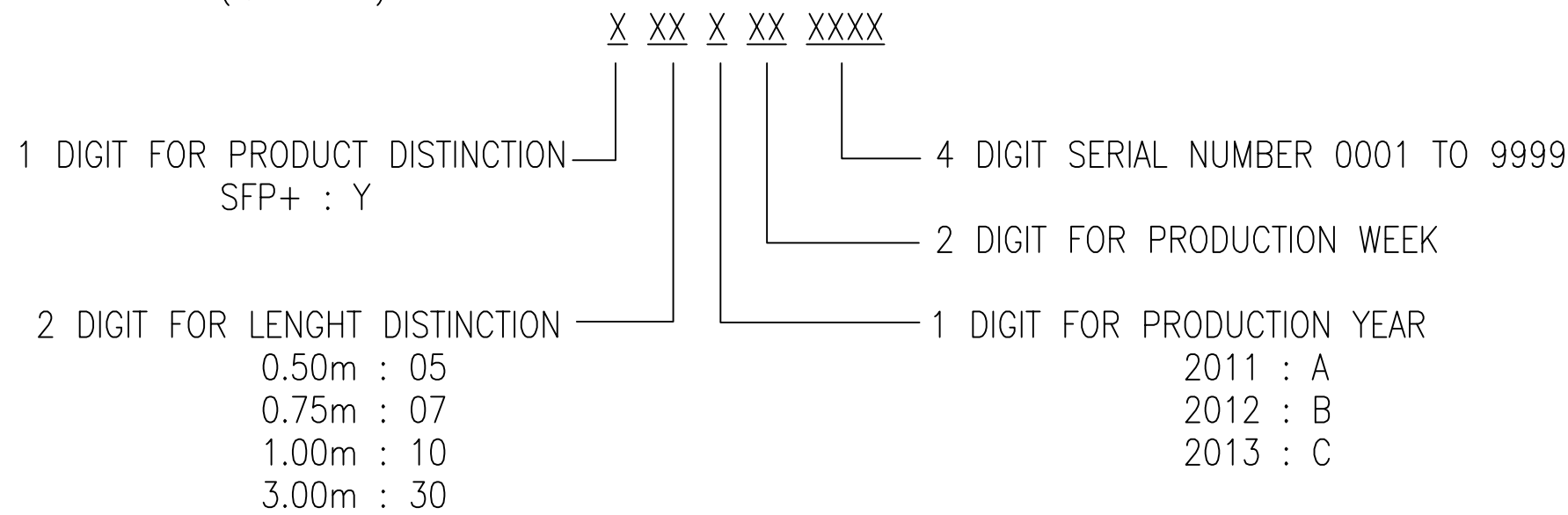
|                                 |               |  |  |   |         |                            |             |   |               |            |             |
|---------------------------------|---------------|--|--|---|---------|----------------------------|-------------|---|---------------|------------|-------------|
| DESIGN REFERENCE                |               | NEXT ASSEMBLY  |  | REV   | ECO     | ISSUE DATE AND DESCRIPTION | DRFT        | CHKD  |               |            |             |
| DISTRIBUTION CODES              |               |  |  | DRFT  | YUNLONG | DATE                       | AUG 19,2015 | MFG   | EDDIE         | DATE       | AUG 19,2015 |
| DIVISION                        |               | DIVISION CODE  |  | CHKD  | YUNLONG | DATE                       | AUG 19,2015 | APPVL   | SAUJIT BANDHU | DATE       | AUG 19,2015 |
| ESD                             |               |  |  | © 3M COPYRIGHT 2016<br>This document and the information it contains are 3M property and may not be reproduced or further distributed without 3M permission, or used or disclosed other than for 3M authorized purposes. All rights reserved. |         |                            |             |   |               |            |             |
| DO NOT SCALE DRAWING            | SCALE 1.3 / 1 | TOLERANCES EXCEPT AS NOTED   |  | TITLE<br>3M™ PASSIVE TWIN AXIAL CABLE ASSEMBLY FOR SFP+ APPLICATIONS WITH UNIVERSAL PULL TAB  |         |                            |             |   |               |            |             |
| THIRD ANGLE PROJECTION          |               | INCHES   |  | CAGE NUMBER   |         | SIZE                       |             | DRAWING NO.   |               | REV.       |             |
| INTERPRET PER ASME Y14.5 - 1994 |               | MILLIMETERS  |  | C   |         | 78-5100-2418-1             |             | F   |               | SHT 1 OF 2 |             |
| MAX SURFACE ROUGHNESS 125       |               | <input type="checkbox"/> ALL SURFACES<br><input checked="" type="checkbox"/> MARKED ONLY |  | MODEL   |         | DET. LISTS                 |             | <input type="checkbox"/> YES <input checked="" type="checkbox"/> NO |               |            |             |

78-5100-2418-1 F REVISION DRAWING NUMBER

LABEL DETAIL



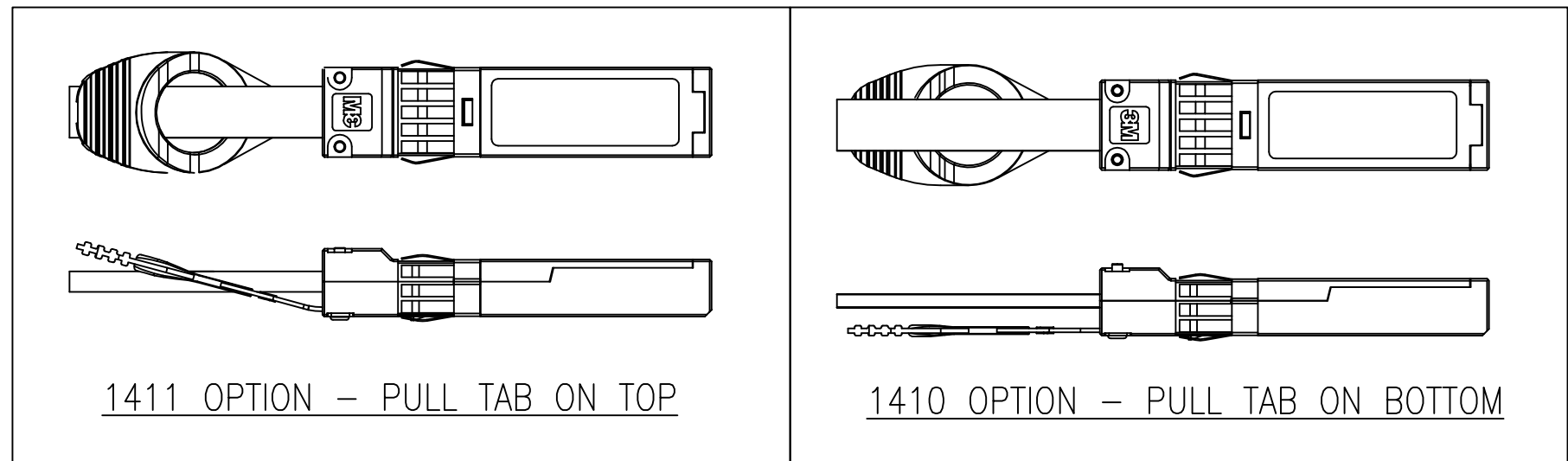
SERIAL NUMBER (QR CODE) FORMAT:



| P1/P2   |            |
|---------|------------|
| PIN NO. | SYMBOL     |
| 1       | VeeT       |
| 2       | Tx_Fault   |
| 3       | Tx_Disable |
| 4       | SDA        |
| 5       | SCL        |
| 6       | Mod_ABS    |
| 7       | RS0        |
| 8       | Rx_LOS     |
| 9       | RS1        |
| 10      | VeeR       |

ASSEMBLY PINOUT

| P1  |     | P2  |     |
|-----|-----|-----|-----|
| B11 | GND | B20 | GND |
| B12 | Rx- | B19 | Tx- |
| B13 | Rx+ | B18 | Tx+ |
| B14 | GND | B17 | GND |
| B15 | -   | B16 | -   |
| B16 | -   | B15 | -   |
| B17 | GND | B14 | GND |
| B18 | Tx+ | B13 | Rx+ |
| B19 | Tx- | B12 | Rx- |
| B20 | GND | B11 | GND |



EXAMPLE - PART NUMBER ORDER DETAIL

| 3M™ CABLE ASSEMBLY P/N | CABLE OPTIONS | CABLE SIZE (AWG) | CABLE LENGTH (METERS) "M" | TOTAL LENGTH (METERS) "L" | PULL TAB OPTIONS |
|------------------------|---------------|------------------|---------------------------|---------------------------|------------------|
| 1410-P17-00-1.00       | PVC, Black    | 30 AWG           | 0.88                      | 1.0                       | BOTTOM           |
| 1410-P17-00-2.00       | PVC, Black    | 30 AWG           | 1.88                      | 2.0                       | BOTTOM           |
| 1410-P17-00-3.00       | PVC, Black    | 30 AWG           | 2.88                      | 3.0                       | BOTTOM           |
| 1410-P17-00-4.00       | PVC, Black    | 30 AWG           | 3.88                      | 4.0                       | BOTTOM           |
| 1410-P17-00-5.00       | PVC, Black    | 30 AWG           | 4.88                      | 5.0                       | BOTTOM           |
| 1410-P30-00-4.00       | PVC, Black    | 26 AWG           | 3.88                      | 4.0                       | BOTTOM           |
| 1410-P30-00-5.00       | PVC, Black    | 26 AWG           | 4.88                      | 5.0                       | BOTTOM           |
| 1410-P30-00-6.00       | PVC, Black    | 26 AWG           | 5.88                      | 6.0                       | BOTTOM           |
| 1410-P30-00-7.00       | PVC, Black    | 26 AWG           | 6.88                      | 7.0                       | BOTTOM           |
| 1411-P17-00-1.00       | PVC, Black    | 30 AWG           | 0.88                      | 1.0                       | TOP              |
| 1411-P17-00-2.00       | PVC, Black    | 30 AWG           | 1.88                      | 2.0                       | TOP              |
| 1411-P17-00-3.00       | PVC, Black    | 30 AWG           | 2.88                      | 3.0                       | TOP              |
| 1411-P17-00-4.00       | PVC, Black    | 30 AWG           | 3.88                      | 4.0                       | TOP              |
| 1411-P17-00-5.00       | PVC, Black    | 30 AWG           | 4.88                      | 5.0                       | TOP              |
| 1411-P30-00-4.00       | PVC, Black    | 26 AWG           | 3.88                      | 4.0                       | TOP              |
| 1411-P30-00-5.00       | PVC, Black    | 26 AWG           | 4.88                      | 5.0                       | TOP              |
| 1411-P30-00-6.00       | PVC, Black    | 26 AWG           | 5.88                      | 6.0                       | TOP              |
| 1411-P30-00-7.00       | PVC, Black    | 26 AWG           | 6.88                      | 7.0                       | TOP              |

DESIGN REFERENCE NEXT ASSEMBLY

DISTRIBUTION CODES

DIVISION ESD

DO NOT SCALE DRAWING

THIRD ANGLE PROJECTION

MAX SURFACE ROUGHNESS 125 ✓

SCALE NTS

TOLERANCES EXCEPT AS NOTED

INTERPRET PER ASME Y14.5 - 1994

ALL SURFACES MARKED ONLY

INCHES

MILLIMETERS

ANGLES ±1°

REFER TO PAGE 1

| REV     | ECO | ISSUE DATE AND DESCRIPTION           | DRFT             | CHKD |
|---------|-----|--------------------------------------|------------------|------|
| YUNLONG |     | DATE AUG 19,2015 MFG EDDIE           | DATE AUG 19,2015 |      |
| YUNLONG |     | DATE AUG 19,2015 APPVL SAUJIT BANDHU | DATE AUG 19,2015 |      |

3M Center St. Paul, MN 55144

© 3M COPYRIGHT 2016 This document and the information it contains are 3M property and may not be reproduced or further distributed without 3M permission, or used or disclosed other than for 3M authorized purposes. All rights reserved.

TITLE: 3M™ PASSIVE TWIN AXIAL CABLE ASSEMBLY FOR SFP+ APPLICATIONS WITH UNIVERSAL PULL TAB

CAGE NUMBER MODEL: C

DRAWING NO.: 78-5100-2418-1

REV. F

DET. LISTS YES NO SHT 2 OF 2

78-5100-2418-1 F REVISION DRAWING NUMBER